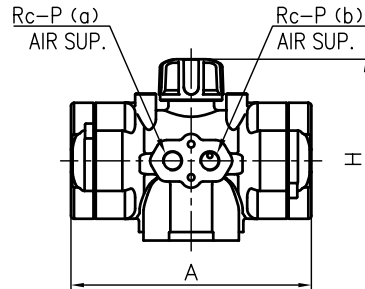


Actuator Shape (AR032,AR040)



DIMENSIONS TABLE

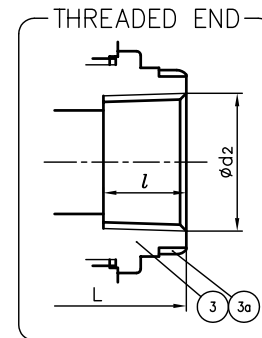
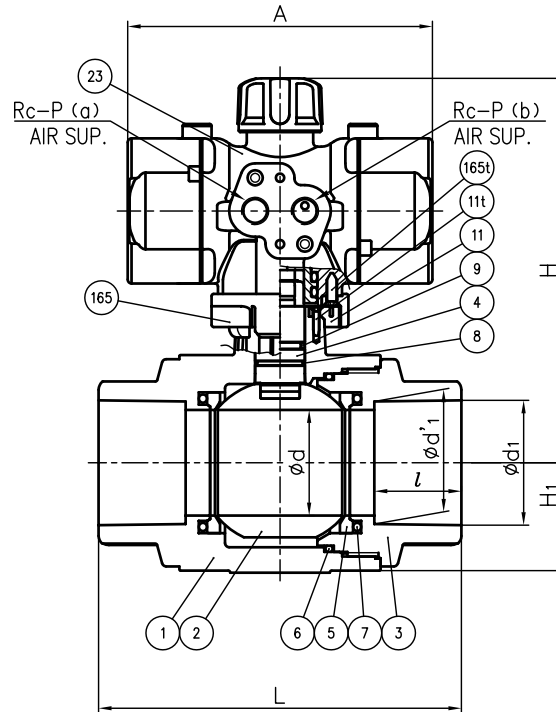
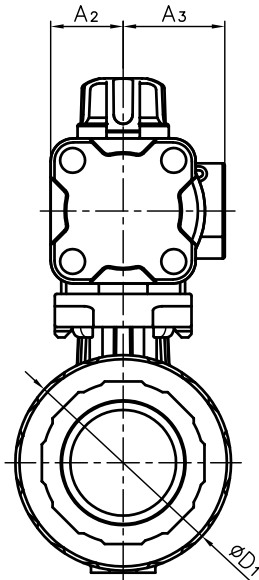
Unit: mm

| Nominal Size | SOCKET END | | | | | THREADED END | | | | | | | | | | | | | ACTUATOR TYPE |
|--------------|------------|----------------|------------------|-------|------|----------------|--------------------|----|----------------|------|----------------|------|----------------|----------------|----|-----|-------------|--|---------------|
| | d | d ₁ | d ₁ ' | l | L | d ₂ | l | L | D ₁ | H | H ₁ | A | A ₂ | A ₃ | P | | | | |
| 13mm | 3/8" | 15 | 17.45 | 17.04 | 15.1 | 69 | 3/8 - 18 NPT | 15 | 69 | 40 | 108.5 | 20.5 | 94 | 22.5 | 32 | 1/8 | AR032DA10NN | | |
| 15 | 1/2" | 15 | 21.54 | 21.23 | 17.5 | 79 | 1/2 - 14 NPT | 15 | 79 | 40 | 108.5 | 20.5 | 94 | 22.5 | 32 | 1/8 | AR032DA10NN | | |
| 20 | 3/4" | 20 | 26.87 | 26.57 | 18.3 | 94 | 3/4 - 14 NPT | 17 | 94 | 49 | 115.5 | 25.5 | 94 | 22.5 | 32 | 1/8 | AR032DA11NN | | |
| 25 | 1" | 25 | 33.65 | 33.27 | 22.2 | 108 | 1 - 11 1/2 NPT | 20 | 108 | 58 | 122.5 | 30 | 94 | 22.5 | 32 | 1/8 | AR032DA11NN | | |
| 32 | 1 1/4" | 31 | 42.42 | 42.04 | 23.8 | 121 | 1 1/4 - 11 1/2 NPT | 22 | 121 | 68 | 143 | 35 | 116 | 28 | 38 | 1/8 | AR040DA20NN | | |
| 40 | 1 1/2" | 40 | 48.56 | 48.11 | 27.8 | 146 | 1 1/2 - 11 1/2 NPT | 25 | 146 | 82.5 | 174 | 42 | 147 | 35 | 49 | 1/4 | AR050DA30NN | | |
| 50 | 2" | 51 | 60.63 | 60.17 | 29.4 | 175 | 2 - 11 1/2 NPT | 28 | 175 | 104 | 185.5 | 53 | 147 | 35 | 49 | 1/4 | AR050DA30NN | | |

NOTE.

- Operation of permission pressure: 0.4~0.7MPaG
Valve open : (a) Exhaust, (b) Supply
Valve shut : (a) Supply, (b) Exhaust
- The shape and appearance of assembly differ a little with nominal size compared to this drawing.

SOCKET END



| No. | DESCRIPTION | QTY. | MATERIAL | REMARKS |
|------|------------------------|------|--------------------------|--|
| 3a | RING | 2 | STAINLESS STEEL (SUS304) | Used for C-PVC Body, Threaded End: 13-25mm |
| 165t | TAPPING SCREW (No.165) | 2 | STAINLESS STEEL (SUS304) | |
| 165 | BASE PLATE | 1 | PPG | |
| 23 | ACTUATOR | 1 | PPG etc. | |
| 11t | TAPPING SCREW (No.11) | 4 | STAINLESS STEEL (SUS304) | |
| 11 | ISO PLATE | 1 | ABS | |
| 9 | O-RING (E) | 1 | □EPDM | |
| 8 | O-RING (D) | 1 | □FKM | |
| 7 | O-RING (C) | 2 | □Others | |
| 6 | O-RING (B) | 1 | () | |
| 5 | SEAT | 2 | PTFE | |
| 4 | STEM | 1 | | |
| 3 | END CONNECTOR | 1 | □PVC | |
| 2 | BALL | 1 | □C-PVC | |
| 1 | BODY | 1 | | |

| | | | |
|-------------------|---|-----------------------------|-------|
| ITEM | COMPACT BALL VALVE (TYPE27) PNEUMATIC ACTUATED MODEL TYPE AR ASSY DOUBLE ACTING ANSI: □SOCKET END, □THREADED END 13mm (3/8") ~ 50mm (2") | | |
| DRAWN | E.Ozaki | DATE | SCALE |
| CHECKED | H.Kawano | JUN.05.2019 | ~ |
| APPROVED | K.Koushou | DRAWING No. 27-AA002AE m | |
| SPECIAL ORDER No. | ASAHI YUKIZAI CORPORATION | | |