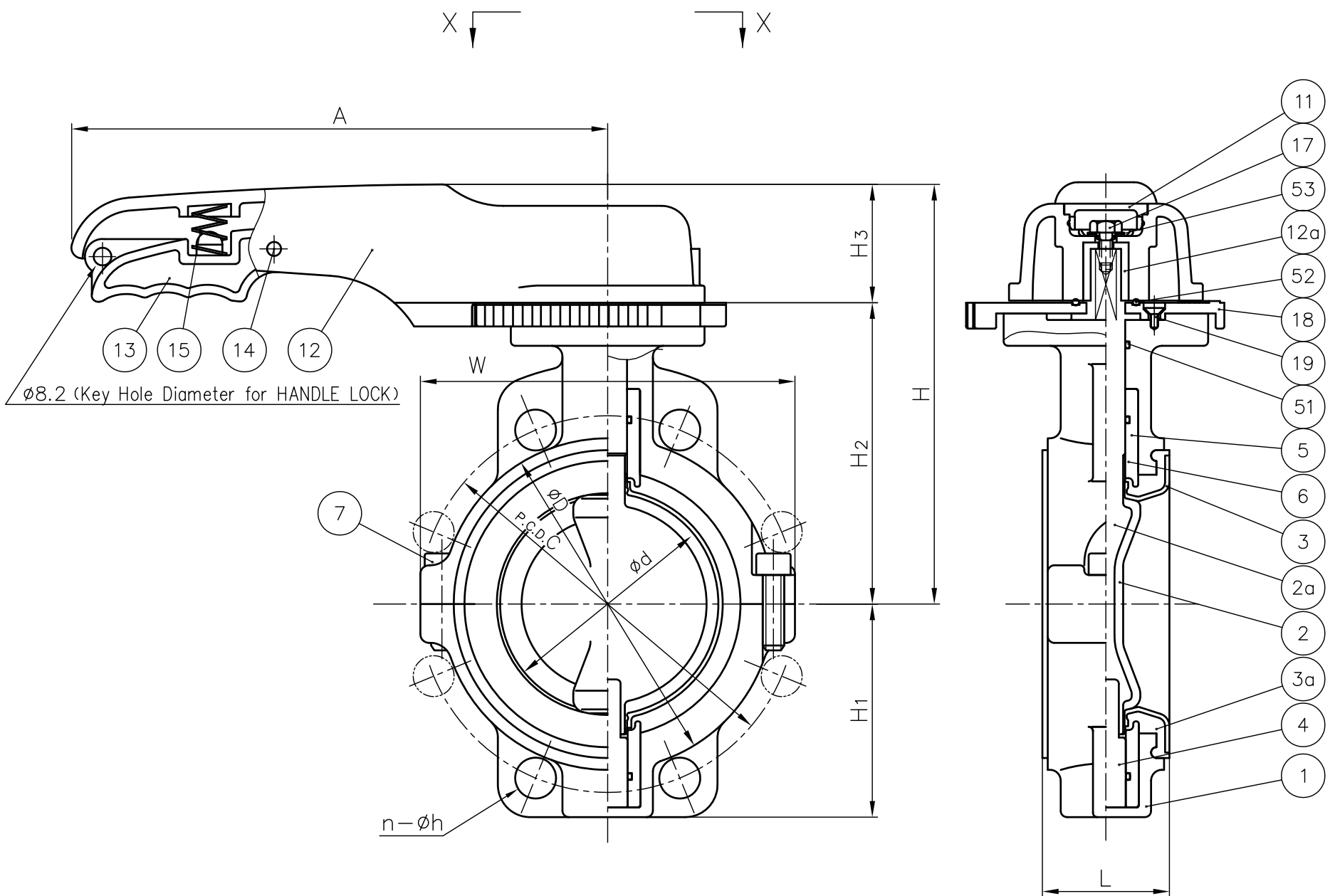


53	RUBBER+WASHER	1	STAINLESS STEEL (SUS304) +EPDM	
52	O-RING (C)	1	EPDM	
51	O-RING (B)	1	NBR	
19	SCREW (A)	4	STAINLESS STEEL (SUS304)	
18	LOCKING PLATE	1	PPG	
17	BOLT (C)	1	STAINLESS STEEL (SUS304)	
15	SPRING	1	STAINLESS STEEL (SUS304)	
14	PIN	1	PPG	
13	HANDLE LEVER	1	PPG	
12a	HANDLE INSERTED METAL	1	STAINLESS STEEL (SUS316)	
12	HANDLE	1	PP	
11	CAP	1	PP	
7	BOLT (A)	2	STAINLESS STEEL (SUS304)	
6	O-RING (A)	2	EPDM	
5	BUSH	2	STAINLESS STEEL (SUS304)	
4	STEM	1	STAINLESS STEEL (SUS304)	
3a	SEAT CUSHION	1	CR	
3	SEAT	1	PTFE	
2a	INSERTED METAL OF DISC	1	STAINLESS STEEL (SUS304)	
2	DISC	1	PTFE	
1	BODY	1	DUCTILE CAST IRON (FCD-S)	epoxy powder coat
No.	DESCRIPTION	QTY.	MATERIAL	REMARKS

ITEM	BUTTERFLY VALVE (TYPE 55) ASS'Y LEVER TYPE : □JIS 5K, □JIS 10K 50mm (2") ~ 125mm (5")		
DRAWN	M.Yamamoto	DATE	SCALE
CHECKED	H.Kawano	MAY.13.2010	~
APPROVED	Y.Ozaki	DRAWING No. 55-M1001JE	
SPECIAL ORDER No.	ASAHI YUKIZAI CORPORATION		



DIMENSIONS TABLE

Unit: mm

Nominal Size	d	JIS 5K			JIS 10K			D	L	H	H <sub>1</sub>	H <sub>2</sub>	H <sub>3</sub>	W	A	
		C	n	h	C	n	h									
50mm	2"	55	105	2 (4)	15	120	2 (4)	19	90	44	161	61	105	56	116	220
80	3	80	145	- (4)	19	150	4 (8)	19	125	54	180	95	124	56	152	250
100	4	100	165	4 (8)	19	175	4 (8)	19	154	59	196	99	140	56	174	250
125	5	125	200	4 (8)	19	210	4 (8)	23	181	64	235	120	166	69	206	320

NOTE. The shape and appearance of assembly differ a little with nominal size compared to this drawing.