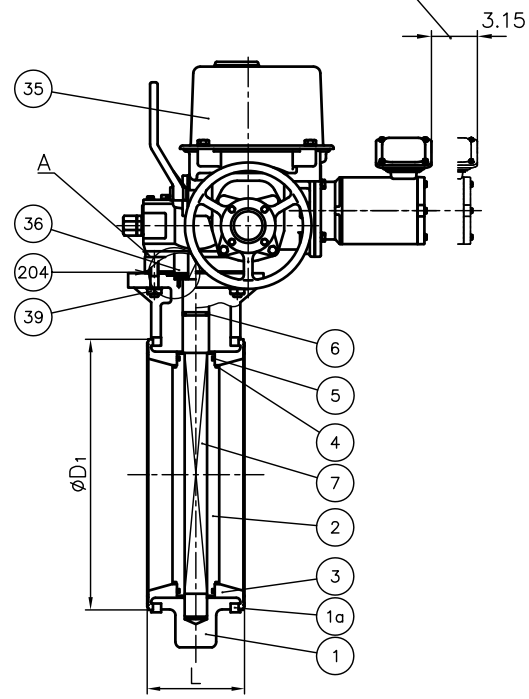


Space for Switch Cover Removal

Space for Moter Removal



204	GASKET (O)	1	EPDM	
157	SCREW (F)	4	STAINLESS STEEL (SUS304)	
1a	RING	2	STEEL (SS400) with Epoxy Powder Coat.	
39	BOLT · NUT (P)	4sets	STAINLESS STEEL (SUS304)	
36	STEM BUSH	1	CARBON STEEL (S45C)	
35	ACTUATOR	1	DUCTILE IRON (FCD450) etc.	Epoxy Coat.
8	STEM HOLDER (A)	1	PP	
7	STEM	1	STAINLESS STEEL (SUS403)	
6	O-RING (C)	1	<input type="checkbox"/> EPDM <input type="checkbox"/> FKM <input type="checkbox"/> Others ()	
5	O-RING (B)	2		
4	O-RING (A)	2		
3	SEAT	1		
2	DISC	1	<input type="checkbox"/> BODY/DISC <input type="checkbox"/> PP/PP <input type="checkbox"/> PVDF/PVDF	
1	BODY	1		
No.	DESCRIPTION	QTY.	MATERIAL	REMARKS

DIMENSIONS TABLE

UNIT : inch

NOMINAL SIZE	d	ANSI Class 150			L	D	D ₁	D ₂	H	H ₁	H ₂	I	Actuator Type	Motor Rating Output (Kw)	
		C	n	h											
16"	400mm	15.98	21.25	16	1.12	6.65	23.62	18.50	9.25	17.05	11.81	13.90	28.23	LTRM-01/BRM-2 or LTRH-01/BRM-2 (AUTO-RECOVERY TYPE) (MANUAL RECOVERY TYPE)	0.4

ITEM: BUTTERFLY VALVE (TYPE56) ELECTRIC ACTUATED S TYPE ASS'Y
 □AUTO-RECOVERY TYPE, □MANUAL RECOVERY TYPE
 ANSI Class 150
 16" (400mm)

DRAWN: E.Ozaki DATE: JAN.22.2018 SCALE: ~

CHECKED: H.Kawano DRAWING No.:

APPROVED: H.Kourogi 56-AE006AE

SPECIAL ORDER No. ASAHYUKIZAI CORPORATION