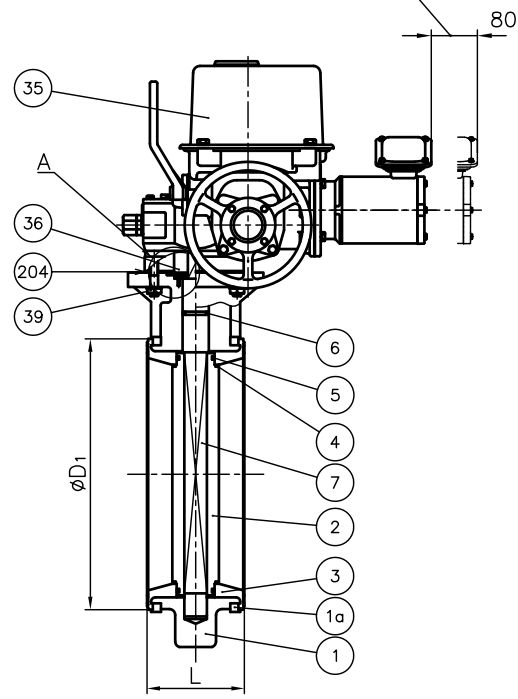


Space for Switch Cover Removal

Space for Moter Removal



204	GASKET (O)	1	EPDM	
157	SCREW (F)	4	STAINLESS STEEL (SUS304)	
1a	RING	2	STEEL (SS400) with Epoxy Powder Coat.	
39	BOLT · NUT (P)	4 Sets	STAINLESS STEEL (SUS304)	
36	STEM BUSH	1	CARBON STEEL (S45C)	
35	ACTUATOR	1	DUCTILE IRON (FCD450) etc.	Epoxy Coat.
8	STEM HOLDER (A)	1	PP	
7	STEM	1	STAINLESS STEEL (SUS403)	
6	O-RING (C)	1	<input type="checkbox"/> EPDM	
5	O-RING (B)	2	<input type="checkbox"/> FKM	
4	O-RING (A)	2	<input type="checkbox"/> Others ()	
3	SEAT	1		
2	DISC	1	BODY/DISC <input type="checkbox"/> PP/PP <input type="checkbox"/> PVDF/PVDF	
1	BODY	1		
No.	DESCRIPTION	QTY.	MATERIAL	REMARKS

DIMENSIONS TABLE

UNIT : mm

NOMINAL SIZE	d	ANSI Class 150			L	D	D ₁	D ₂	H	H ₁	H ₂	I	Actuator Type	Motor Rating Output (Kw)
		C	n	h										
400mm 16"	406	539.5	16	29	169	600	470	235	433	300	353	717	LTRM-01/BRM-2 or LTRH-01/BRM-2 (AUTO-RECOVERY TYPE) (MANUAL RECOVERY TYPE)	0.4

ITEM	BUTTERFLY VALVE (TYPE56) ELECTRIC ACTUATED S TYPE ASS'Y □AUTO-RECOVERY TYPE, □MANUAL RECOVERY TYPE ANSI Class 150 400mm (16")		
DRAWN	M.Iwakiri	DATE	SCALE
CHECKED	H.Kawano	SEP.5.2019	
APPROVED	K.Koushou	DRAWING No. 56-AE006AEm	
SPECIAL ORDER No.	ASAHI YUKIZAI CORPORATION		