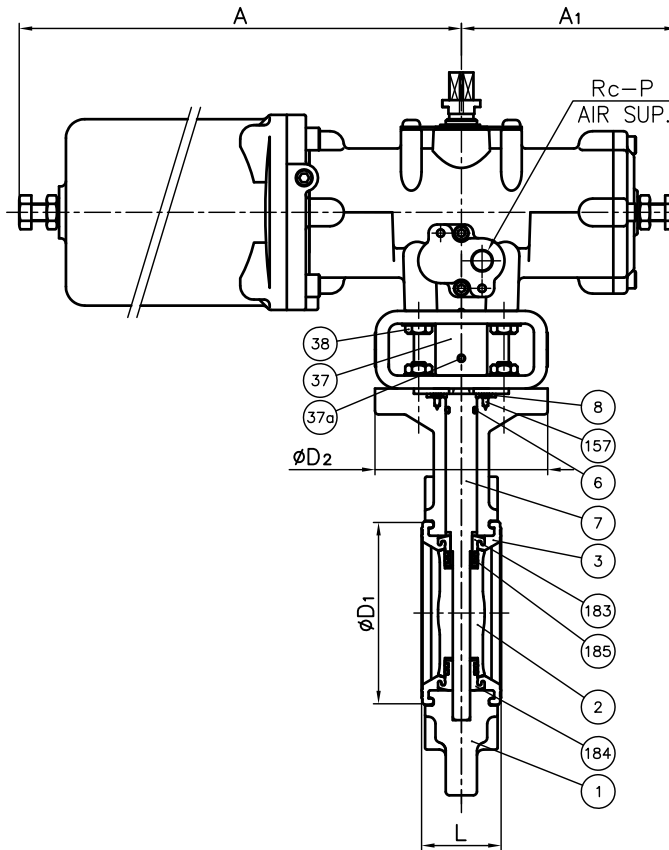
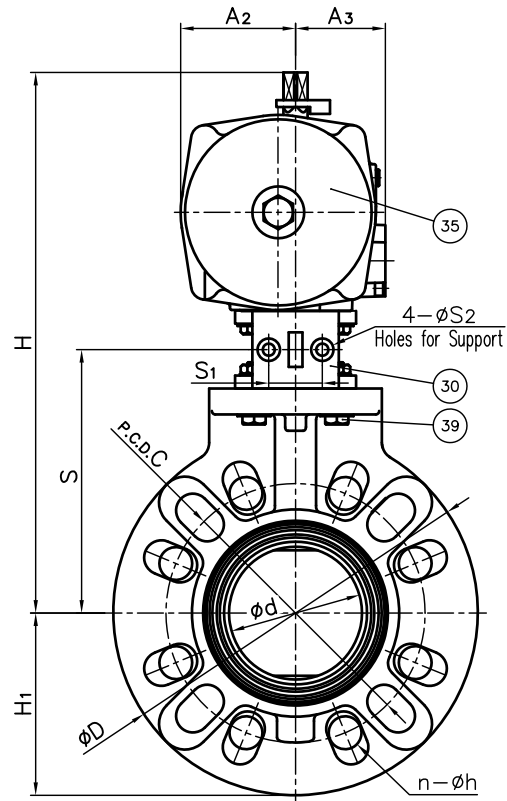
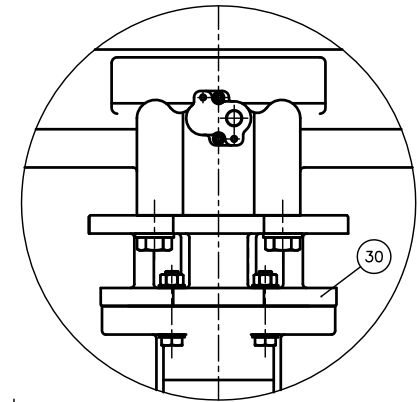


40^{mm} (1½") – 150^{mm} (6")



The Shape of Stand
200^{mm} (8") – 350^{mm} (14")



Note.

- Operating pressure 0.4–0.7MPa G
Air to open : Air-less shut
Air to shut : Air-less open
- The shape and appearance of assembly differ a little with nominal size compared to this drawing.

157	SCREW (F)	4	STAINLESS STEEL (SUS304)	
39	BOLT-NUT (A)	4Sets	STAINLESS STEEL (SUS304)	
38	BOLT (E)	4	STAINLESS STEEL (SUS304)	
37a	SCREW (C)	1	STAINLESS STEEL (SUS304)	
37	JOINT (A)	1	COPPER ALLOY (C3604)	
35	ACTUATOR	1	ALUMINIUM ALLOYS DIE CASTINGS (ADC12) etc. CAST IRON (FC200) etc.	Used for Size 40–300 ^{mm} Meramin Baking Coat. Used for Size 350 ^{mm} Acryl Coat.
30	STAND	1	PPG CAST ALUMINIUM ALLOY (AC4C)	Used for Size 40–150 ^{mm} Used for Size 200–350 ^{mm} Epoxy Coat.
8	STEM HOLDER (A)	1	PP	
7	STEM	1	□ STAINLESS STEEL (SUS403) □ STAINLESS STEEL (SUS316)	
185	O-RING (I)	4	□ EPDM □ FKM	
6	O-RING (C)	1	□ Others	
3	SEAT	1	()	
184	SEAT BUSH (B)	1	BODY / DISC- SEAT BUSH	
183	SEAT BUSH (A)	1		
2	DISC	1	□ PVC/PP □ PP/PP	
1	BODY	1	□ PVDF/PVDF	

DIMENSIONS TABLE

UNIT: mm

NOMINAL SIZE	d	ANSI Class 150			L	D	D ₁	D ₂	H	H ₁	A	A ₁	A ₂	A ₃	S	S ₁	S ₂	P	Actuator Type	
		C	n	h																
40 ^{mm} 1½"	45	98.5	4	16	39	150	71	100	263	75	240	105	53	50	117.5	32	7	¼	TA2A-050R	
50	2	56	4	19	42	165	81	100	273	83	240	105	53	50	127.5	32	7	¼	TA2A-050R	
65	2½	69	4	19	46	185	95	100	298	93	288	125	66.5	52	137.5	32	7	¼	TA2A-063R	
80	3	77	4	19	46	211	105	100	313	106	288	125	66.5	52	152.5	32	7	¼	TA2A-063R	
100	4	102	8	19	56	238	134	100	361	119	341	146	82.5	59	167.5	32	7	¼	TA2A-080R	
125	5	129	216	8	22	66	255	169	440	413	128	417	181	103	71	185.5	42	9	¼	TA2A-100R2
150	6	150	241.5	8	22	71	285	190	440	428	143	417	181	103	71	200.5	42	9	¼	TA2A-100R2
200	8	195	298.5	8	22	87	350	242	440	493	175	542	220	118.5	74	—	—	—	¼	TA2A-125R2
250	10	250	362	12	25	112	421	302	440	584	211	658	266	149	82	—	—	—	¼	TA2A-160R2
300	12	303	432	12	25	129	488	360	440	641	244	658	266	149	82	—	—	—	¼	TA2A-160R2
350	14	351	476	12	29	129	539	393	440	732	270	943	332	182	118	—	—	—	¾	TA-200R

No.	DESCRIPTION	QTY.	MATERIAL	REMARKS
ITEM	BUTTERFLY VALVE (TYPE 57) PNEUMATIC MODEL TA TYPE ASS'Y □ AIR TO OPEN, □ AIR TO SHUT ANSI Class 150 40 ^{mm} (1½") – 350 ^{mm} (14")			
DRAWN	E.Ozaki	DATE	SCALE	
CHECKED	H.Kawano	SEP.9.2016		
APPROVED	H.Kouragi	DRAWING No.		
		57-AA018AEm		△
SPECIAL ORDER No.	ASAHI YUKIZAI CORPORATION			