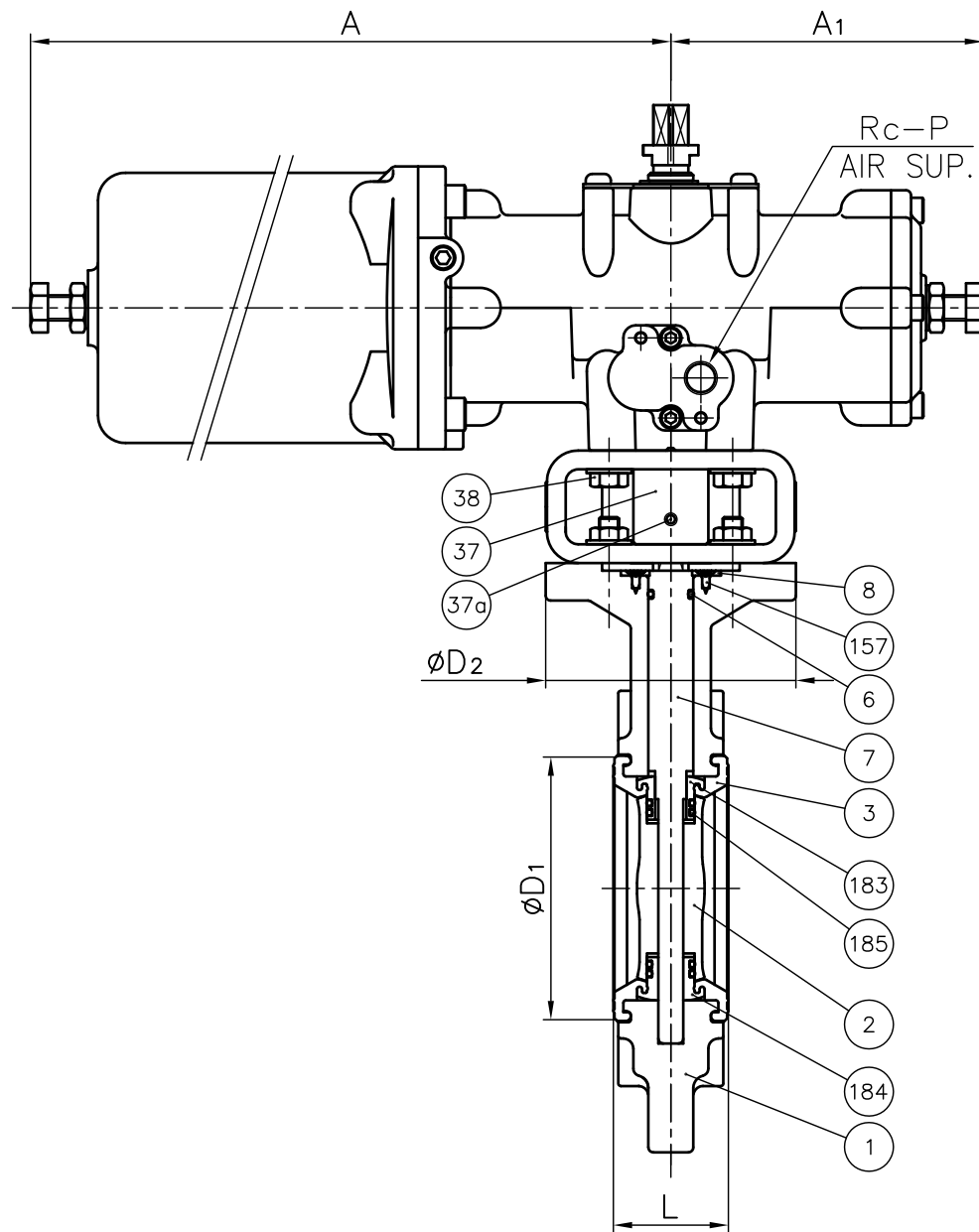
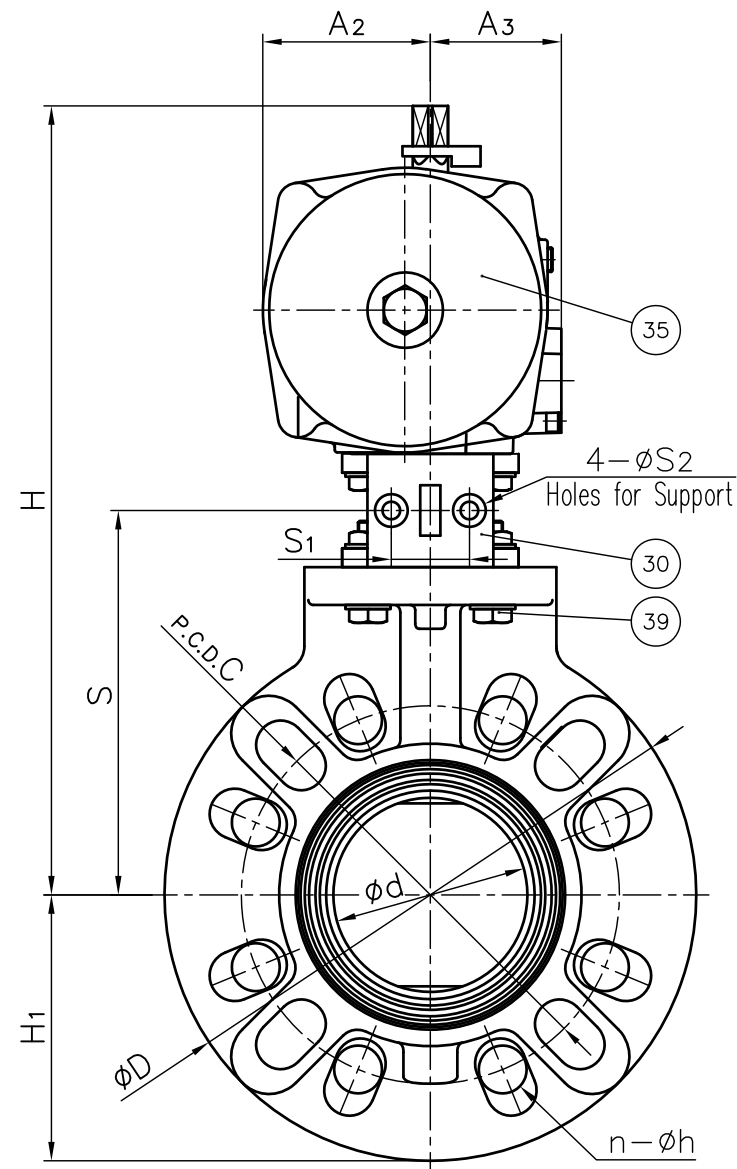
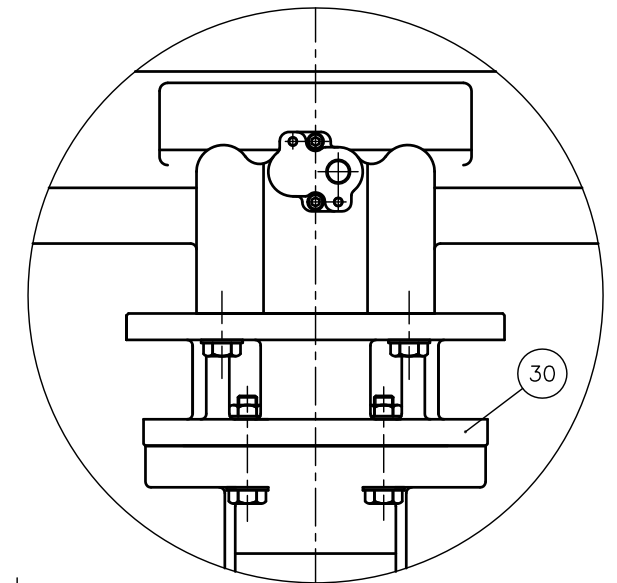


40mm (1½") – 150mm (6")



The Shape of Stand
200mm (8") – 350mm (14")



- Note.
- Operating pressure 0.4–0.7MPa G
Air to open : Air-less shut
Air to shut : Air-less open
 - The shape and appearance of assembly differ a little with nominal size compared to this drawing.

157	SCREW (F)	4	STAINLESS STEEL (SUS304)	
39	BOLT·NUT (A)	4Sets	STAINLESS STEEL (SUS304)	
38	BOLT (E)	4	STAINLESS STEEL (SUS304)	
37a	SCREW (C)	1	STAINLESS STEEL (SUS304)	
37	JOINT (A)	1	COPPER ALLOY (C3604)	
35	ACTUATOR	1	ALUMINIUM ALLOYS DIE CASTINGS (ADC12) etc. CAST IRON (FC200) etc.	Used for Size 40–300mm Meramin Baking Coat. Used for Size 350mm Acryl Coat.
30	STAND	1	PPG CAST ALUMINIUM ALLOY (AC4C)	Used for Size 40–150mm Used for Size 200–350mm Epoxy Coat.
8	STEM HOLDER (A)	1	PP	
7	STEM	1	□ STAINLESS STEEL (SUS403) □ STAINLESS STEEL (SUS316)	
185	O-RING (I)	4	□ EPDM □ FKM	
6	O-RING (C)	1	□ Others	
3	SEAT	1	()	
184	SEAT BUSH (B)	1	BODY / DISC·SEAT BUSH	
183	SEAT BUSH (A)	1	□ PVC/PP □ PP/PP □ PVDF/PVDF	
2	DISC	1		
1	BODY	1		
No.	DESCRIPTION	QTY.	MATERIAL	REMARKS

DIMENSIONS TABLE

UNIT: mm

NOMINAL SIZE	d	DIN PN10			L	D	D ₁	D ₂	H	H ₁	A	A ₁	A ₂	A ₃	S	S ₁	S ₂	P	Actuator Type
		C	n	h															
40mm 1½"	45	110	4	18	39	150	71	100	263	75	240	105	53	50	117.5	32	7	¼	TA2A-050R
50	2	56	4	18	42	165	81	100	273	83	240	105	53	50	127.5	32	7	¼	TA2A-050R
65	2½	69	4	18	46	185	95	100	298	93	288	125	66.5	52	137.5	32	7	¼	TA2A-063R
80	3	77	8	18	46	211	105	100	313	106	288	125	66.5	52	152.5	32	7	¼	TA2A-063R
100	4	102	8	18	56	238	134	100	361	119	341	146	82.5	59	167.5	32	7	¼	TA2A-080R
125	5	129	8	18	66	255	169	140	413	128	417	181	103	71	185.5	42	9	¼	TA2A-100R2
150	6	150	8	22	71	285	190	140	428	143	417	181	103	71	200.5	42	9	¼	TA2A-100R2
200	8	195	8	22	87	350	242	140	493	175	542	220	118.5	74	—	—	—	¼	TA2A-125R2
250	10	250	12	22	112	421	302	180	584	211	658	266	149	82	—	—	—	¼	TA2A-160R2
300	12	303	12	22	129	488	360	235	641	244	658	266	149	82	—	—	—	¼	TA2A-160R2
350	14	351	16	22	129	539	393	235	732	270	943	332	182	118	—	—	—	¾	TA-200R

ITEM	BUTTERFLY VALVE (TYPE 57) PNEUMATIC MODEL TA TYPE ASS'Y □ AIR TO OPEN, □ AIR TO SHUT DIN PN10 40mm (1½") – 350mm (14")		
DRAWN	M.Oosako	DATE	SCALE
CHECKED	H.Kawano	JUL.22.2011	~
APPROVED	Y.Ozaki	DRAWING No. 57-AA018DE	
SPECIAL ORDER No.	ASAHI YUKIZAI CORPORATION		