

DIMENSION TABLE

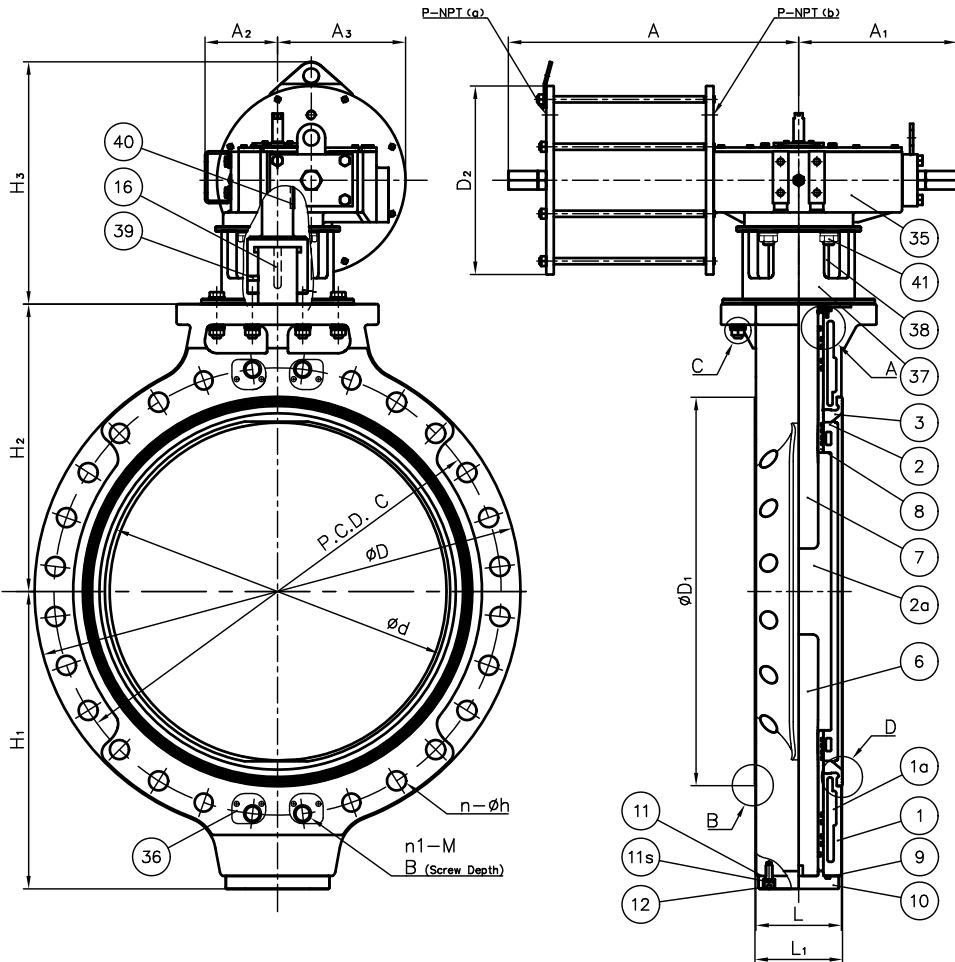
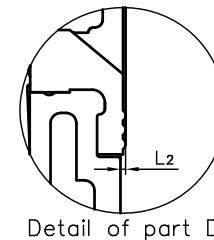
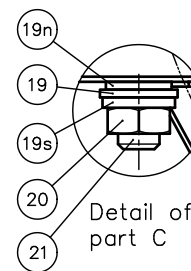
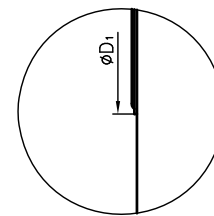
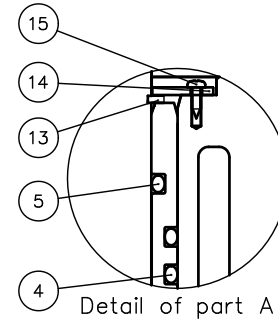
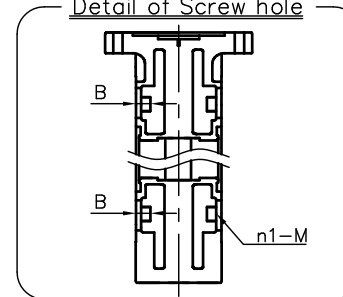
UNIT: inch

NOMINAL SIZE	ANSI Class 150																				ACTUATOR Model No.			
	d	C	h	N (Number of Bolt Holes)	n (Through hole)	n1 (Screw hole)		M	B	D	D ₁	D ₂	L	L ₁	L ₂	H ₁	H ₂	H ₃	A	A ₁		A ₂	A ₃	P
28" 700mm	26.38	34.00	1.38	28	24	4	8	1 1/4-7 UNC	1.10	36.93	29.53	14.33	6.50	6.65	0.08	22.6	21.85	18.43	22.07	12.05	5.51	9.72	3/8	EPTC106-295-DA
32 800	30.63	38.50	1.62	28	24	4	8	1 1/2-6 UNC	1.18	41.73	34.21	16.10	7.48	7.80	0.16	25.16	24.41	20.18	26.16	15.71	6.69	11.40	1/2	EPTC108-340-DA
36 900	34.96	42.80	1.62	32	28	4	8	1 1/2-6 UNC	1.18	46.38	38.54	16.10	7.99	8.31	0.16	28.50	27.46	20.18	26.16	15.71	6.69	11.40	1/2	EPTC108-340-DA

NOTE.

- Dimensions "L" is equivalent to ISO5752 flangeless (wafer) short.
- Operating pressure: 0.5-0.55MPa G
Valve open: Port (a) Exhaust Port (b) Supply
Valve close: Port (a) Supply Port (b) Exhaust
- The shape and appearance of assembly differ a little with nominal size compared to this drawing.

Detail of Screw hole



40	KEY	2	CARBON STEEL	
39	SCREW (C)	1	STAINLESS STEEL (SUS304)	
41	BOLT (E)	4sets 8sets	STAINLESS STEEL (SUS304)	
38	JOINT (A)	1	STAINLESS STEEL (SUS304)	
37	STAND	1	STAINLESS STEEL (SUS304)	
36	COVER PLATE	8	ABS	
21	BOLT (B)	8	STAINLESS STEEL (SUS304)	Attachment : Collar
20	NUT	8	STAINLESS STEEL (SUS304)	
19s	SPRING WASHER	8	STAINLESS STEEL (SUS304)	
19	WASHER (B)	8	STAINLESS STEEL (SUS304)	
19n	NORD-LOCK WASHER	8	STAINLESS STEEL (SUS316L)	
35	ACTUATOR	1	Steel/Ductile Iron	Urethane coat (FLOWBUS)
16	KEY	1	CARBON STEEL (S45C)	
15	SCREW	4	STAINLESS STEEL (SUS304)	
14	STEM HOLDER (A)	1	ABS	
13	RETAINING RING C-TYPE	1	STAINLESS STEEL (SUS304)	
12	BOLT (A)	4 8	STAINLESS STEEL (SUS304)	Used for Size 28" Used for Size 32,36"
11s	SPRING WASHER (No.11)	4 8	STAINLESS STEEL (SUS304)	Used for Size 28" Used for Size 32,36"
11	WASHER (A)	4 8	STAINLESS STEEL (SUS304)	Used for Size 28" Used for Size 32,36"
10	STEM HOLDER (B)	1	ABS	
7	STEM (A)	1	STAINLESS STEEL (SUS316)	
6	STEM (B)	1		
18	GASKET	1		
9	O-RING (C)	1		
5	O-RING (B)	2	<input type="checkbox"/> EPDM <input type="checkbox"/> FKM	
4	O-RING (A)	16 14		Used for Size 28" Used for Size 32,36"
3	SEAT	1		
2a	INSERTED METAL OF DISC	1	AC4C	
8	BUSH	2	<input type="checkbox"/> PP <input type="checkbox"/> PVDF	
2	DISC	1		
1a	INSERTED METAL OF BODY	2	STEEL CASTING STAINLESS (SCS13)	
1	BODY	1	PDCPD	
No.	DESCRIPTION	QTY.	MATERIAL	REMARKS
ITEM	BUTTERFLY VALVE (TYPE 58) PNEUMATIC MODEL FL TYPE ASS'Y DOUBLE ACTING ANSI Class 150 28" (700mm) ~36" (900mm)			
DRAWN	H.Kawano	DATE	SCALE	
CHECKED	Y.Yoneda	MAR.10.2023		
APPROVED	K.Koushou	DRAWING No. 58-AA001AE		
SPECIAL ORDER No.	ASAHI YUKIZAI CORPORATION			