

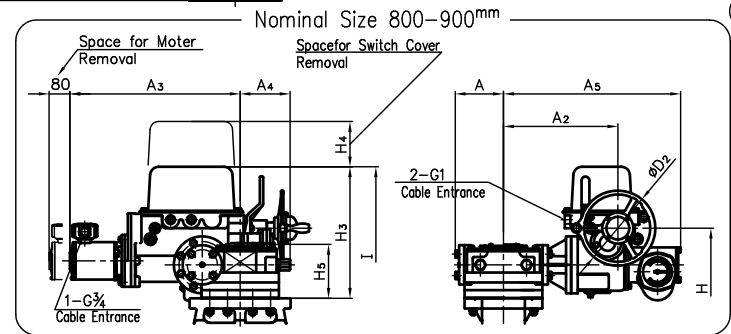
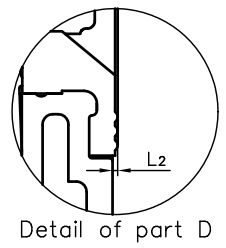
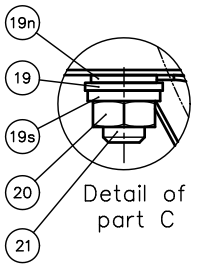
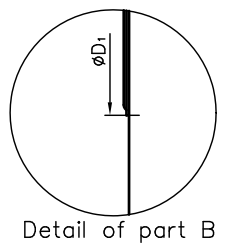
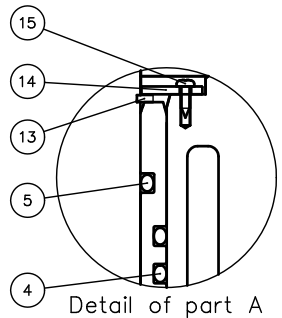
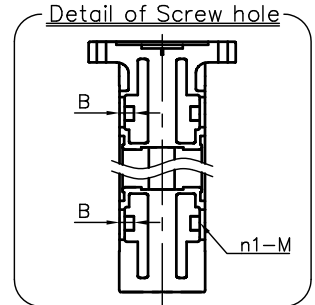
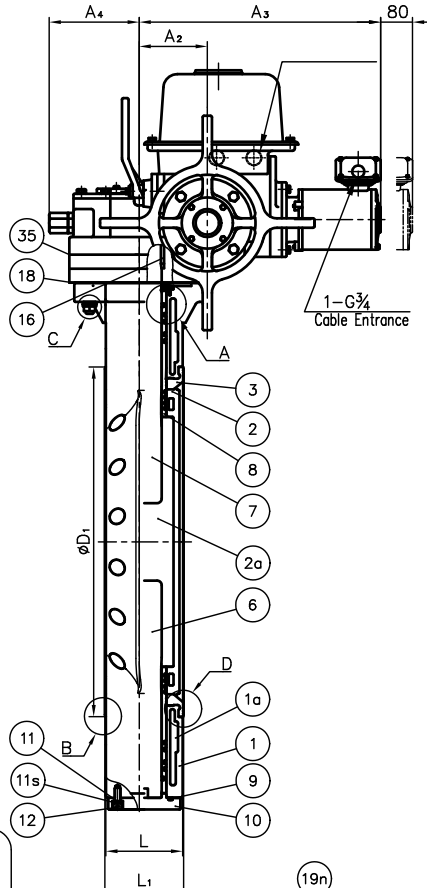
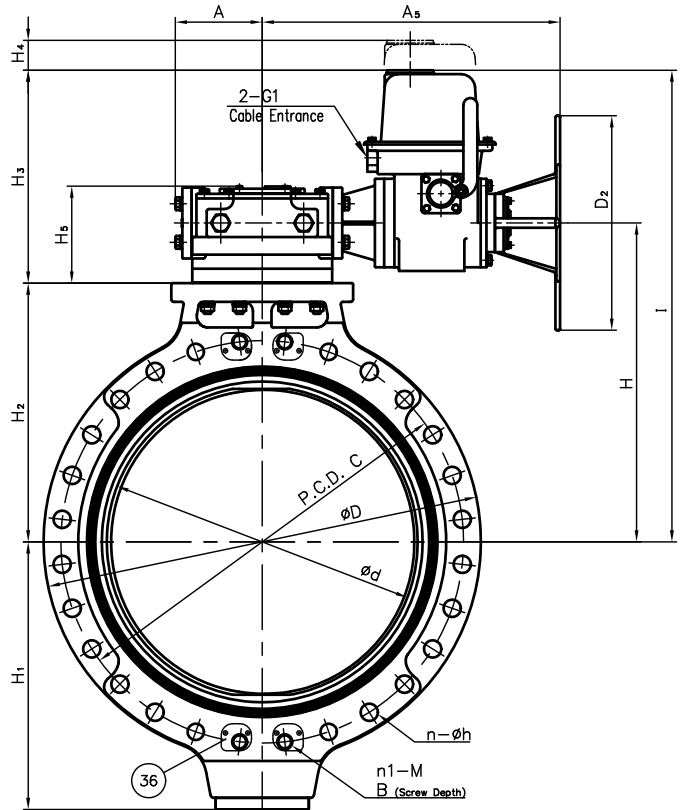
DIMENSION TABLE

Unit:mm

NOMINAL SIZE	ANSI Class 150																									ACTUATOR Model No.		
	d	C	h	N (Number of Bolt Holes)	n (Through hole)	n1 (Screw hole)		M	B	D	D ₁	D ₂	L	L ₁	L ₂	H	H ₁	H ₂	H ₃	H ₄	H ₅	I	A	A ₂	A ₃		A ₄	A ₅
700mm 28"	670	863.5	33	28	24	4	8	1 1/4-7 UNC	28	938	750	460	165	169	2	684	574	555	457	160	209	1013	186	146	521	193	639	LTMD-02/BRM-10
800	32	778	977.9	41	28	4	8	1 1/2-6 UNC	30	1060	869	290	190	198	4	891	639	620	508	175	209	1128	186	442	661	193	684	LTMD-05/BRM-10
900	36	888	1085.85	41	32	4	8	1 1/2-6 UNC	30	1178	979	290	203	211	4	979	724	705	508	175	209	1213	186	442	689	193	684	LTMD-05/BRM-10

NOTE.

- Dimensions "L" is equivalent to ISO5752 flangeless (wafer) short.
- The shape and appearance of assembly differ a little with nominal size compared to this drawing.



18	GASKET	1	EPDM	
36	COVER PLATE	8	ABS	
21	BOLT (B)	8	STAINLESS STEEL (SUS304)	Attachment :Collar
20	NUT	8	STAINLESS STEEL (SUS304)	
19s	SPRING WASHER	8	STAINLESS STEEL (SUS304)	
19	WASHER (B)	8	STAINLESS STEEL (SUS304)	
19n	NORD-LOCK WASHER	8	STAINLESS STEEL (SUS316L)	
35	ACTUATOR	1	DUCTILE IRON (FCI450)	Tar Epoxy Coat. (Selbu)
16	KEY	1	CARBON STEEL (SA5C)	
15	SCREW	4	STAINLESS STEEL (SUS304)	
14	STEM HOLDER (A)	1	ABS	
13	RETAINING RING C-TYPE	1	STAINLESS STEEL (SUS304)	
12	BOLT (A)	4	STAINLESS STEEL (SUS304)	Used for Size 700mm
		8		Used for Size 800,900mm
11s	SPRING WASHER (No.11)	4	STAINLESS STEEL (SUS304)	Used for Size 700mm
		8		Used for Size 800,900mm
11	WASHER (A)	4	STAINLESS STEEL (SUS304)	Used for Size 700mm
		8		Used for Size 800,900mm
10	STEM HOLDER (B)	1	ABS	
7	STEM (A)	1	STAINLESS STEEL (SUS316)	
6	STEM (B)	1		
18	GASKET	1		
9	O-RING (C)	1		
5	O-RING (B)	2	<input type="checkbox"/> EPDM	
		16	<input type="checkbox"/> FKM	
4	O-RING (A)	14		Used for Size 700mm
				Used for Size 800,900mm
3	SEAT	1		
2a	INSERTED METAL OF DISC	1	AC4C	
8	BUSH	2	<input type="checkbox"/> PP	
		1	<input type="checkbox"/> PVDF	
2	DISC	1		
1a	INSERTED METAL OF BODY	2	STEEL CASTING STAINLESS (SCS13)	
1	BODY	1	PDCPD	
No.	DESCRIPTION	QTY.	MATERIAL	REMARKS

ITEM	BUTTERFLY VALVE (TYPE 58) ELECTRIC MODEL S TYPE ASSY ANSI Class 150 700mm (28") ~900mm (36")		
DRAWN	H.Kawano	DATE	SCALE
CHECKED	Y.Yoneda	MAR.10.2023	
APPROVED	K.Koushou	DRAWING No. 58-AE001AE	
SPECIAL ORDER No.	ASAHII YUKIZAI CORPORATION		