

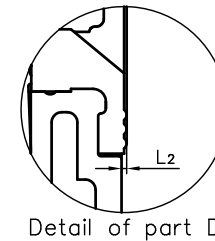
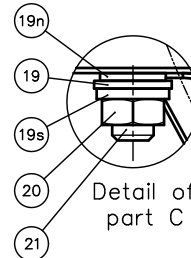
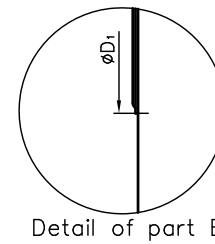
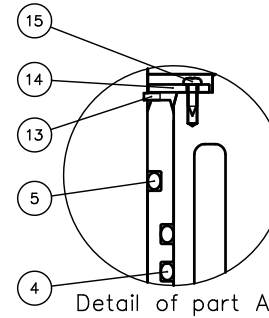
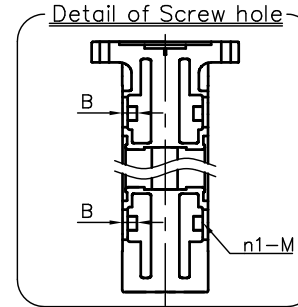
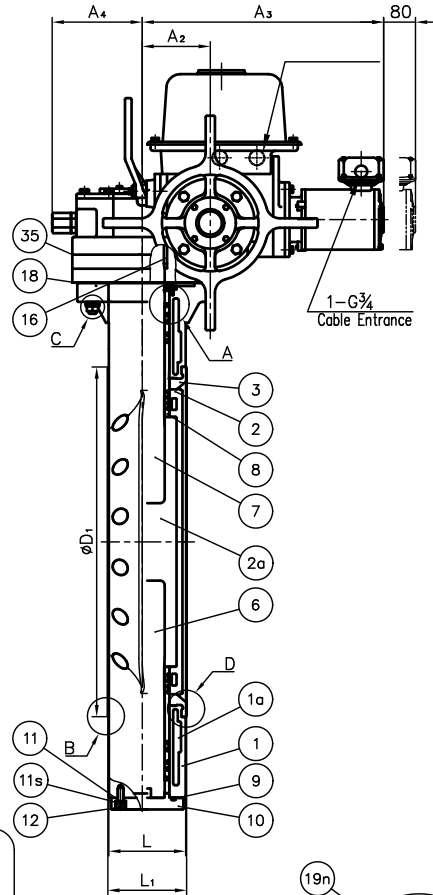
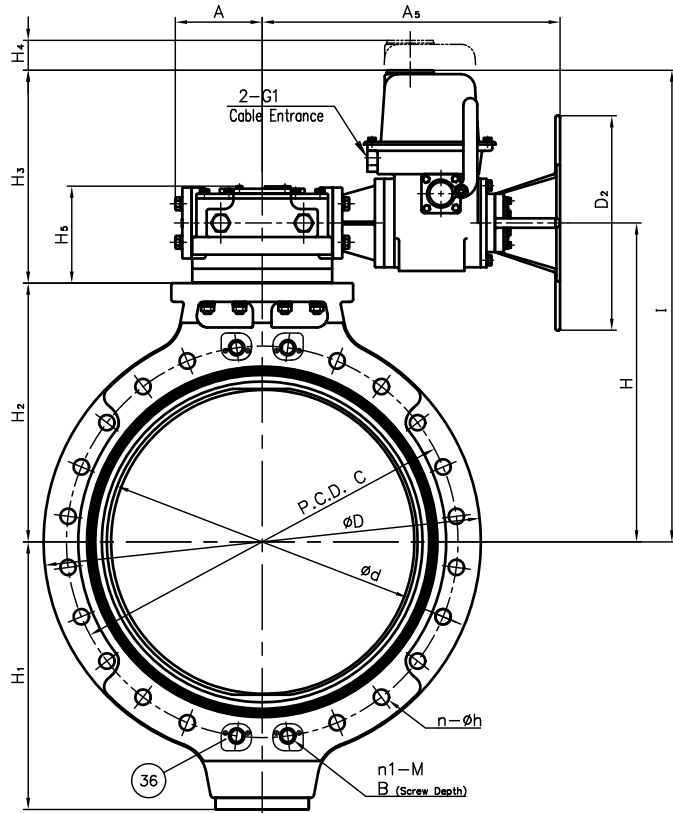
DIMENSION TABLE

Unit:mm

NOMINAL SIZE	JIS 10K																				ACTUATOR Model No.							
	d	C	h	N (Number of Bolt Holes)	n (Through hole)	n1 (Screw hole)		M	B	D	D <sub>1</sub>	D <sub>2</sub>	L	L <sub>1</sub>	L <sub>2</sub>	H	H <sub>1</sub>	H <sub>2</sub>	H <sub>3</sub>	H <sub>4</sub>		H <sub>5</sub>	I	A	A <sub>2</sub>	A <sub>3</sub>	A <sub>4</sub>	A <sub>5</sub>
						/side	/total																					
700mm 28"	670	840	33	24	20	4	8	M30	28	938	750	460	165	169	2	684	574	555	457	160	209	1013	186	146	521	193	639	LTMD-02/BRM-10
800	32	778	950	33	28	4	8	M30	30	1060	869	290	190	198	4	891	639	620	508	175	209	1128	186	442	661	193	684	LTMD-05/BRM-10
900	36	888	1050	33	28	4	8	M30	30	1178	979	290	203	211	4	979	724	705	508	175	209	1213	186	442	689	193	684	LTMD-05/BRM-10

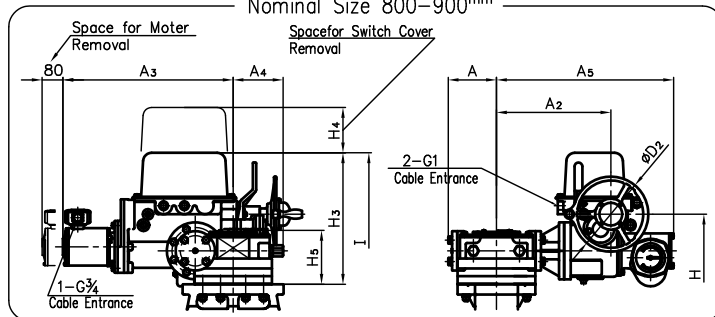
NOTE.

- Dimensions "L" is equivalent to ISO5752 flangeless (wafer) short.
- The shape and appearance of assembly differ a little with nominal size compared to this drawing.



No.	DESCRIPTION	QTY.	MATERIAL	REMARKS
18	GASKET	1	EPDM	
36	COVER PLATE	8	ABS	
21	BOLT (B)	8	STAINLESS STEEL (SUS304)	Attachment : Collar
20	NUT	8	STAINLESS STEEL (SUS304)	
19s	SPRING WASHER	8	STAINLESS STEEL (SUS304)	
19	WASHER (B)	8	STAINLESS STEEL (SUS304)	
19n	NORD-LOCK WASHER	8	STAINLESS STEEL (SUS316L)	
35	ACTUATOR	1	DUCTILE IRON (FCI450)	Tar Epoxy Coat. (Selbu)
16	KEY	1	CARBON STEEL (SA5C)	
15	SCREW	4	STAINLESS STEEL (SUS304)	
14	STEM HOLDER (A)	1	ABS	
13	RETAINING RING C-TYPE	1	STAINLESS STEEL (SUS304)	
12	BOLT (A)	4 8	STAINLESS STEEL (SUS304)	Used for Size 700mm Used for Size 800,900mm
11s	SPRING WASHER (No.11)	4 8	STAINLESS STEEL (SUS304)	Used for Size 700mm Used for Size 800,900mm
11	WASHER (A)	4 8	STAINLESS STEEL (SUS304)	Used for Size 700mm Used for Size 800,900mm
10	STEM HOLDER (B)	1	ABS	
7	STEM (A)	1	STAINLESS STEEL (SUS316)	
6	STEM (B)	1	STAINLESS STEEL (SUS316)	
18	GASKET	1		
9	O-RING (C)	1		
5	O-RING (B)	2	<input type="checkbox"/> EPDM <input type="checkbox"/> FKM	
4	O-RING (A)	16 14		Used for Size 700mm Used for Size 800,900mm
3	SEAT	1		
2a	INSERTED METAL OF DISC	1	AC4C	
8	BUSH	2	<input type="checkbox"/> PP <input type="checkbox"/> PVDF	
2	DISC	1		
1a	INSERTED METAL OF BODY	2	STEEL CASTING STAINLESS (SCS13)	
1	BODY	1	PDCPD	

Nominal Size 800-900mm



No.	DESCRIPTION	QTY.	MATERIAL	REMARKS
ITEM	BUTTERFLY VALVE (TYPE 5B) ELECTRIC MODEL S TYPE ASSY JIS 10K 700mm (28") ~ 900mm (36")			
DRAWN	H.Kawano	DATE	SCALE	
CHECKED	Y.Yoneda	MAR.10.2023		
APPROVED	K.Koushou	DRAWING No.		
		58-AE001JE		
SPECIAL ORDER No.	ASAHI YUKIZAI CORPORATION			