

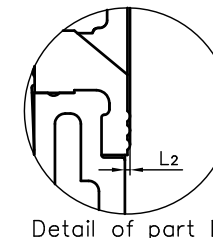
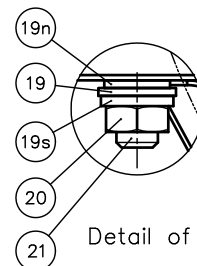
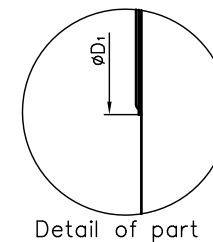
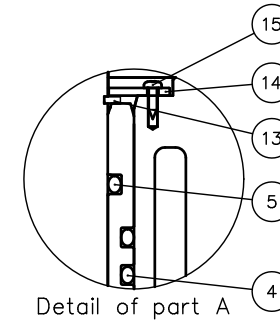
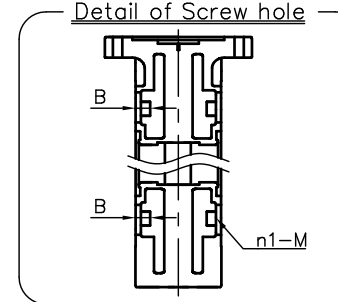
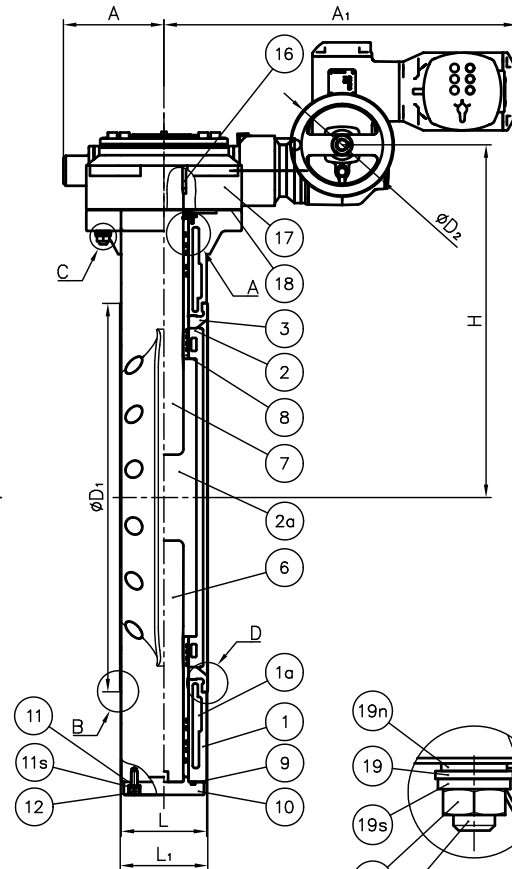
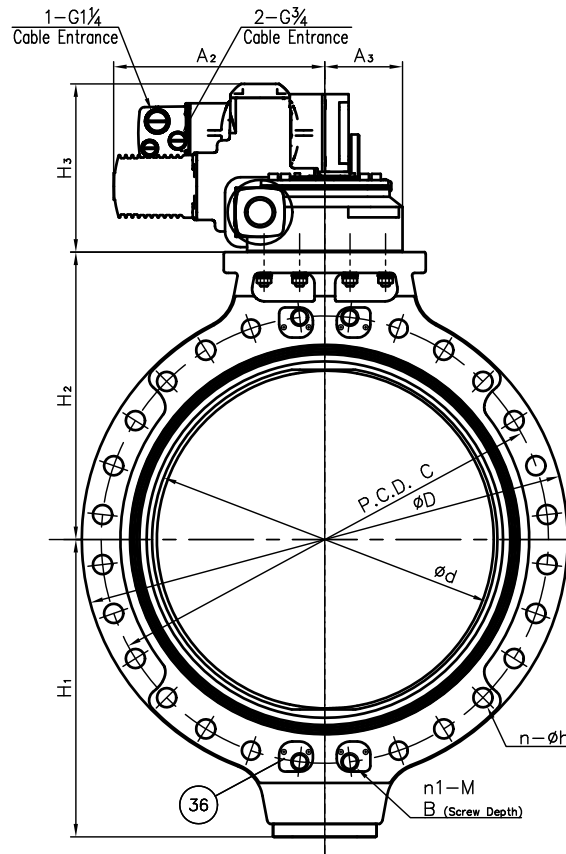
DIMENSION TABLE

UNIT: mm

| NOMINAL SIZE | ANSI Class 150 | | | | | | | | | | | | | | | | | | | | | | ACTUATOR Model No. | |
|-----------------------------------|----------------|-------|---------|-----------------------------|---------------------|-----------------|--------|-------------|----|------|----------------|----------------|-----|----------------|----------------|-----|----------------|----------------|----------------|-----|----------------|----------------|--------------------|-----------------------|
| | d | C | h | N (Number of Bolt Holes) | n (Through hole) | n1 (Screw hole) | | M | B | D | D ₁ | D ₂ | L | L ₁ | L ₂ | H | H ₁ | H ₂ | H ₃ | A | A ₁ | A ₂ | | A ₃ |
| | | | | | | /side | /total | | | | | | | | | | | | | | | | | |
| 700 ^{mm} 28 ["] | 670 | 863.5 | 35 | 28 | 24 | 4 | 8 | 1 1/4-7 UNC | 28 | 938 | 750 | 200 | 165 | 169 | 2 | 681 | 574 | 555 | 324 | 194 | 681 | 408 | 150 | SA10.1.AM01.1.CS125.3 |
| 800 | 32 | 778 | 977.9 | 41 | 28 | 4 | 8 | 1 1/2-6 UNC | 30 | 1060 | 869 | 200 | 190 | 198 | 4 | 746 | 639 | 620 | 324 | 290 | 757 | 165 | 414 | SA10.1.AM01.1.CS160.3 |
| 900 | 36 | 888 | 1085.85 | 41 | 32 | 4 | 8 | 1 1/2-6 UNC | 30 | 1178 | 979 | 200 | 203 | 211 | 4 | 831 | 724 | 705 | 324 | 290 | 757 | 165 | 414 | SA10.1.AM01.1.CS160.3 |

NOTE.

- Dimensions "L" is equivalent to ISO5752 flangeless (wafer) short.
- The shape and appearance of assembly differ a little with nominal size compared to this drawing.



| | | | | |
|-----|------------------------|----------|---|--|
| 18 | GASKET | 1 | EPDM | |
| 36 | COVER PLATE | 8 | ABS | |
| 21 | BOLT (B) | 8 | STAINLESS STEEL (SUS304) | Attachment : Collar |
| 20 | NUT | 8 | STAINLESS STEEL (SUS304) | |
| 19s | SPRING WASHER | 8 | STAINLESS STEEL (SUS304) | |
| 19 | WASHER (B) | 8 | STAINLESS STEEL (SUS304) | |
| 19n | NORD-LOCK WASHER | 8 | STAINLESS STEEL (SUS316L) | |
| 35 | ACTUATOR | 1 | ALUMINIUM ALLOYS | Polyurethane Coat. (aurna) |
| 16 | KEY | 1 | CARBON STEEL (S45C) | |
| 15 | SCREW | 4 | STAINLESS STEEL (SUS304) | |
| 14 | STEM HOLDER (A) | 1 | ABS | |
| 13 | RETAINING RING C-TYPE | 1 | STAINLESS STEEL (SUS304) | |
| 12 | BOLT (A) | 4 | STAINLESS STEEL (SUS304) | Used for Size 700 ^{mm} |
| | | 8 | | Used for Size 800,900 ^{mm} |
| 11s | SPRING WASHER (No.11) | 4 | STAINLESS STEEL (SUS304) | Used for Size 700 ^{mm} |
| | | 8 | | Used for Size 800,900 ^{mm} |
| 11 | WASHER (A) | 4 | STAINLESS STEEL (SUS304) | Used for Size 700 ^{mm} |
| | | 8 | | Used for Size 800,900 ^{mm} |
| 10 | STEM HOLDER (B) | 1 | ABS | |
| 7 | STEM (A) | 1 | | |
| 6 | STEM (B) | 1 | STAINLESS STEEL (SUS316) | |
| 18 | GASKET | 1 | | |
| 9 | O-RING (C) | 1 | | |
| 5 | O-RING (B) | 2 | <input type="checkbox"/> EPDM <input type="checkbox"/> FKM | |
| 4 | O-RING (A) | 16 14 | | Used for Size 700 ^{mm} Used for Size 800,900 ^{mm} |
| 3 | SEAT | 1 | | |
| 2a | INSERTED METAL OF DISC | 1 | AC4C | |
| 8 | BUSH | 2 | <input type="checkbox"/> PP <input type="checkbox"/> PVDF | |
| 2 | DISC | 1 | | |
| 1a | INSERTED METAL OF BODY | 2 | STEEL CASTING STAINLESS (SCS13) | |
| 1 | BODY | 1 | PDCPD | |
| No. | DESCRIPTION | QTY | MATERIAL | REMARKS |

| ITEM | BUTTERFLY VALVE (TYPE 58) ELECTRIC MODEL A TYPE ASSY ANSI Class 150 700 ^{mm} (28 ["]) ~900 ^{mm} (36 ["]) | | | |
|-------------------|--|-------------------------|-------|---|
| DRAWN | H.Kawano | DATE | SCALE | |
| CHECKED | Y.Yoneda | MAR.10.2023 | | |
| APPROVED | K.Koushou | DRAWING No. | | |
| | | 58-AE002AE _m | | △ |
| SPECIAL ORDER No. | ASAHI YUKIZAI CORPORATION | | | |