

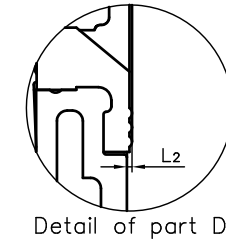
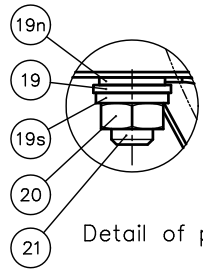
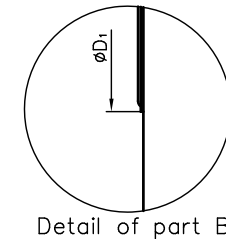
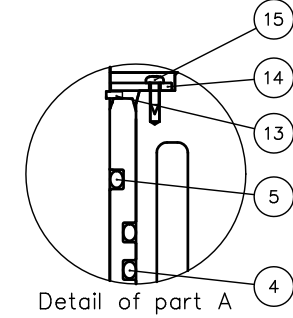
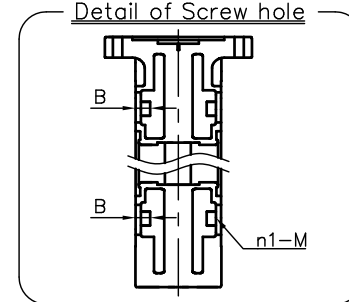
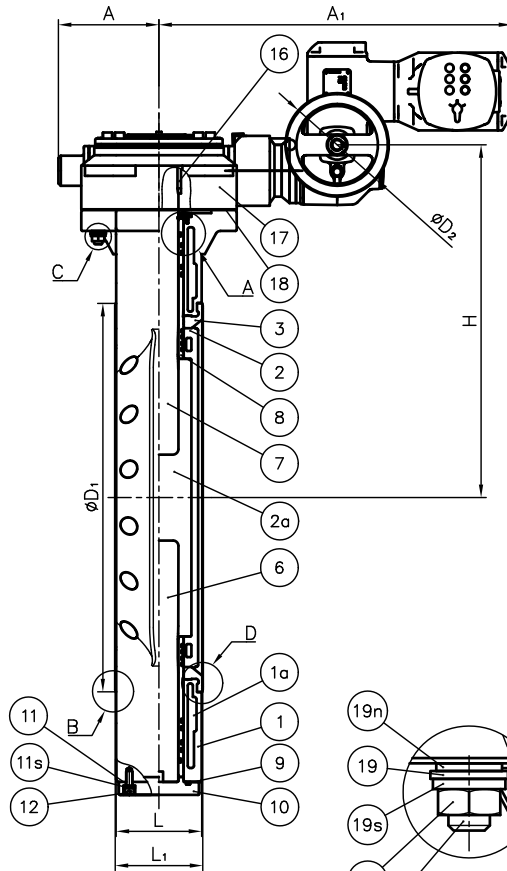
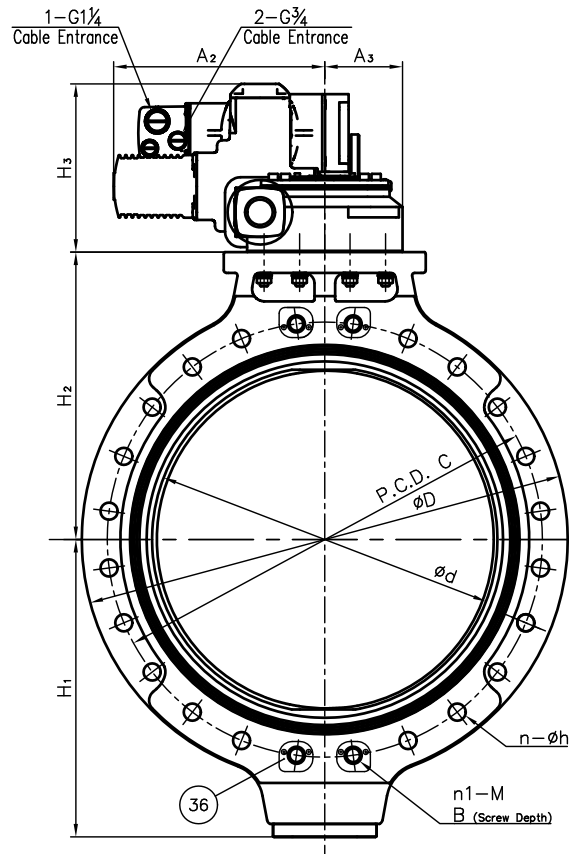
DIMENSION TABLE

UNIT: mm

NOMINAL SIZE	JIS 10K																ACTUATOR Model No.							
	d	C	h	N (Number of Bolt Holes)	n (Through hole)	n1 (Screw hole)		M	B	D	D ₁	D ₂	L	L ₁	L ₂	H	H ₁	H ₂	H ₃	A	A ₁	A ₂	A ₃	
						/side	/total																	
700 ^{mm} 28 ["]	670	840	33	24	20	4	8	M30	28	938	750	200	165	169	2	681	574	555	324	194	681	408	150	SA10.1.AM01.1.GS125.3
800	32	778	950	33	28	4	8	M30	30	1060	869	200	190	198	4	746	639	620	324	290	757	165	414	SA10.1.AM01.1.GS160.3
900	36	888	1050	33	28	4	8	M30	30	1178	979	200	203	211	4	831	724	705	324	290	757	165	414	SA10.1.AM01.1.GS160.3

NOTE.

- Dimensions "L" is equivalent to ISO5752 flangeless (wafer) short.
- The shape and appearance of assembly differ a little with nominal size compared to this drawing.



18	GASKET	1	EPDM	
36	COVER PLATE	8	ABS	
21	BOLT (B)	8	STAINLESS STEEL (SUS304)	Attachment : Collar
20	NUT	8	STAINLESS STEEL (SUS304)	
19s	SPRING WASHER	8	STAINLESS STEEL (SUS304)	
19	WASHER (B)	8	STAINLESS STEEL (SUS304)	
19n	NORD-LOCK WASHER	8	STAINLESS STEEL (SUS316L)	
35	ACTUATOR	1	ALUMINIUM ALLOYS	Polyurethane Coat. (aurna)
16	KEY	1	CARBON STEEL (S45C)	
15	SCREW	4	STAINLESS STEEL (SUS304)	
14	STEM HOLDER (A)	1	ABS	
13	RETAINING RING C-TYPE	1	STAINLESS STEEL (SUS304)	
12	BOLT (A)	4	STAINLESS STEEL (SUS304)	Used for Size 700 ^{mm}
		8		Used for Size 800,900 ^{mm}
11s	SPRING WASHER (No.11)	4	STAINLESS STEEL (SUS304)	Used for Size 700 ^{mm}
		8		Used for Size 800,900 ^{mm}
11	WASHER (A)	4	STAINLESS STEEL (SUS304)	Used for Size 700 ^{mm}
		8		Used for Size 800,900 ^{mm}
10	STEM HOLDER (B)	1	ABS	
7	STEM (A)	1		
6	STEM (B)	1	STAINLESS STEEL (SUS316)	
18	GASKET	1		
9	O-RING (C)	1		
5	O-RING (B)	2	<input type="checkbox"/> EPDM <input type="checkbox"/> FKM	
4	O-RING (A)	16 14		Used for Size 700 ^{mm} Used for Size 800,900 ^{mm}
3	SEAT	1		
2a	INSERTED METAL OF DISC	1	AC4C	
8	BUSH	2	<input type="checkbox"/> PP <input type="checkbox"/> PVDF	
2	DISC	1		
1a	INSERTED METAL OF BODY	2	STEEL CASTING STAINLESS (SCS13)	
1	BODY	1	PDCPD	
No.	DESCRIPTION	QTY	MATERIAL	REMARKS

ITEM	BUTTERFLY VALVE (TYPE 58) ELECTRIC MODEL A TYPE ASSY JIS 10K 700 ^{mm} (28 ["]) ~900 ^{mm} (36 ["])		
DRAWN	H.Kawano	DATE	SCALE
CHECKED	Y.Yoneda	MAR.10.2023	
APPROVED	K.Koushou	DRAWING No. 58-AE002JE	
SPECIAL ORDER No.	ASAHI YUKIZAI CORPORATION		