

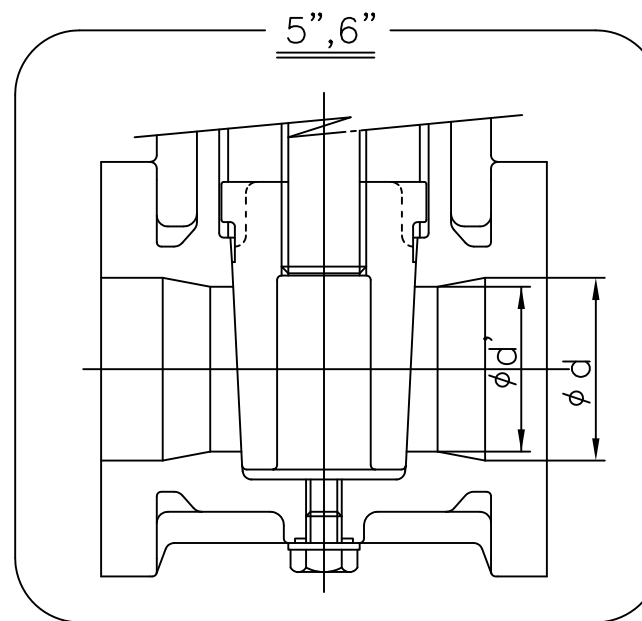
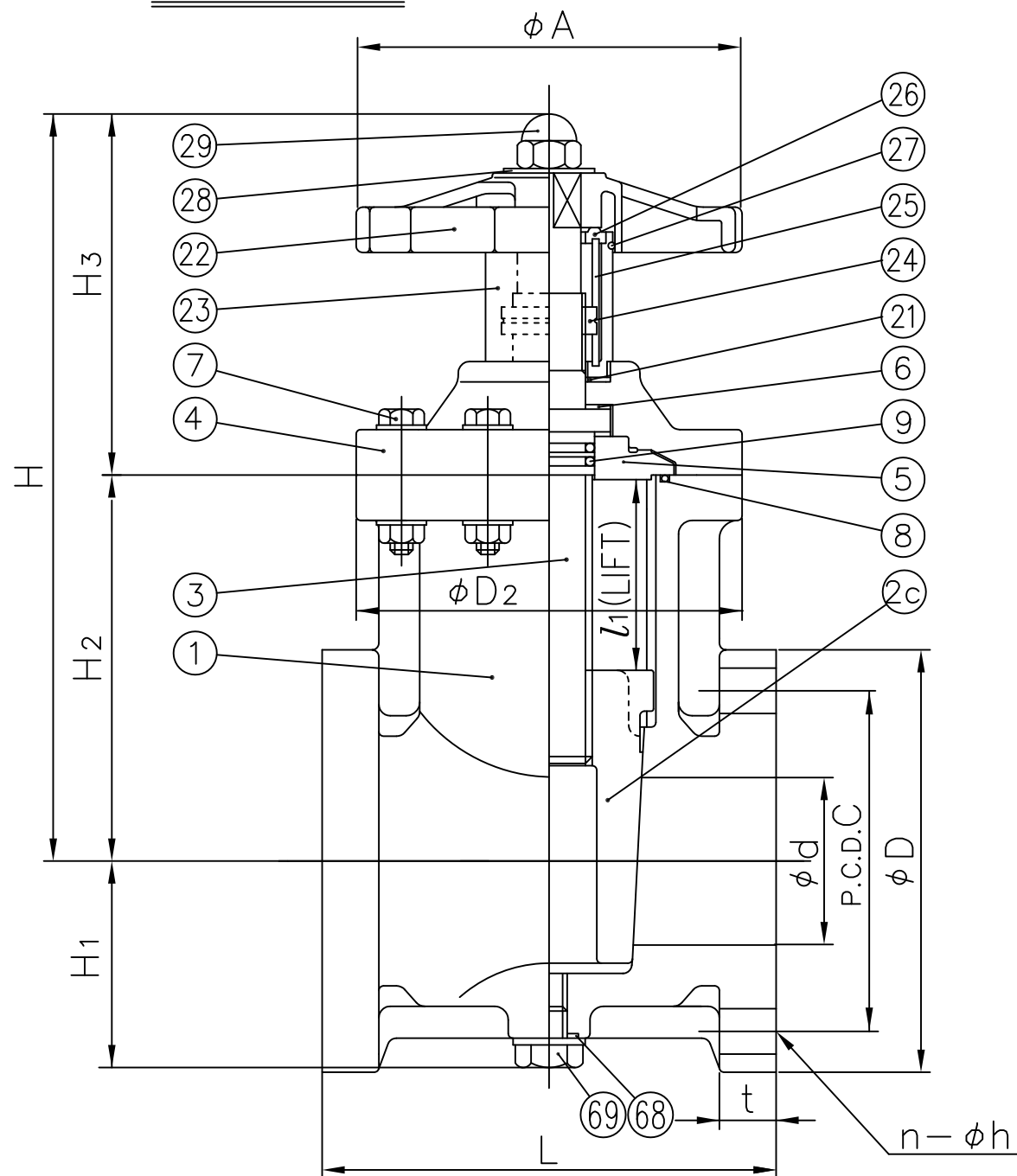
DIMENSIONS TABLE

UNIT: inch

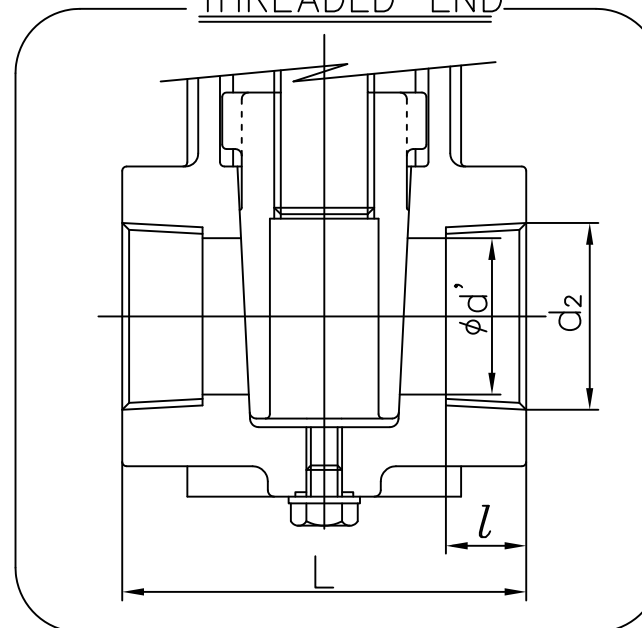
NOMINAL SIZE	d	d'	FLANGED END							THREADED END			D ₂	l ₁	H	H ₁	H ₂	H ₃	A
			ANSI Class 150				L	t	d ₂	l	L								
			D	C	n	h													
1 1/2"	40 ^{mm}	1.57	1.57	5.00	3.88	4	0.62	6.50	0.87	1 1/2-1 1/2 NP	10.98	4.53	4.72	1.93	9.41	2.48	4.21	5.20	4.72
2"	50	1.97	1.97	6.00	4.75	4	0.75	7.00	0.91	2-1 1/2 NP	11.10	5.12	5.12	2.36	10.63	2.80	5.28	5.35	5.12
2 1/2"	65	2.56	—	7.00	5.50	4	0.75	7.50	0.94	—	—	—	6.10	2.95	11.89	3.19	5.98	5.91	6.10
3"	80	2.95	—	7.50	6.00	4	0.75	8.00	0.98	—	—	—	6.69	3.35	12.80	3.54	6.69	6.10	6.69
4"	100	3.94	—	9.00	7.50	8	0.75	9.00	1.06	—	—	—	7.68	4.33	14.57	4.02	8.15	6.42	7.68
5"	125	4.92	4.33	10.00	8.50	8	0.88	10.24	1.06	—	—	—	9.25	4.61	16.02	4.17	8.94	7.09	9.25
6"	150	5.91	5.12	11.00	9.50	8	0.88	10.50	1.06	—	—	—	10.63	5.43	17.52	4.69	10.35	7.17	10.63

NOTE. The shape and appearance of assembly differ a little with nominal size compared to this drawing.

FLANGED END



THREADED END



69	PLUG	1	HI-PVC	
68	GASKET (B)	1	EPDM	
29	BOX NUT	1	STAINLESS STEEL	SUS304
28	WASHER	1	PVC	
27	O-RING (G)	1	EPDM	
26	GUIDE PIN HOLDER	1	PVC	
25	GUIDE PIN	1	STAINLESS STEEL	SUS304
24	INDICATING RING	1	PVC	
23	INDICATING COVER	1	PC	
22	HAND WHEEL	1	PP	
21	PACKING	1	EPDM	
9	O-RING (C)	2	□EPDM □others	
8	O-RING (B)	1	()	
7	BOLT·NUT	—	STAINLESS STEEL	SUS304
6	THRUST RING	1set(2)	PP	
5	BONNET (B)	1	HI-PVC	
4	BONNET (A)	1	HI-PVC	
3	STEM	1	PVC	
2c	GATE (A)	1	PP	
1	BODY	1	HI-PVC	
No.	DESCRIPTION	No.REQ'D	MATERIAL	REMARKS

GATE VALVE(TYPE ○) ASS'Y
POPULAR TYPE (PP PLUG TYPE): HAND WHEEL MOD
ANSI Class 150 □ FLANGED END, THREADED END
1 1/2" (40^{mm}) ~ 6" (150)

DRAWN	H.Aratake	DATE	SCALE
CHECKED	A.Kuroki	FEB.14.2002	~
APPROVED	N.Sano	DRAWING No.	
SPECIAL ORDER No.	CG-60001AE	△	
ASAHI YUKIZAI CORPORATION			