

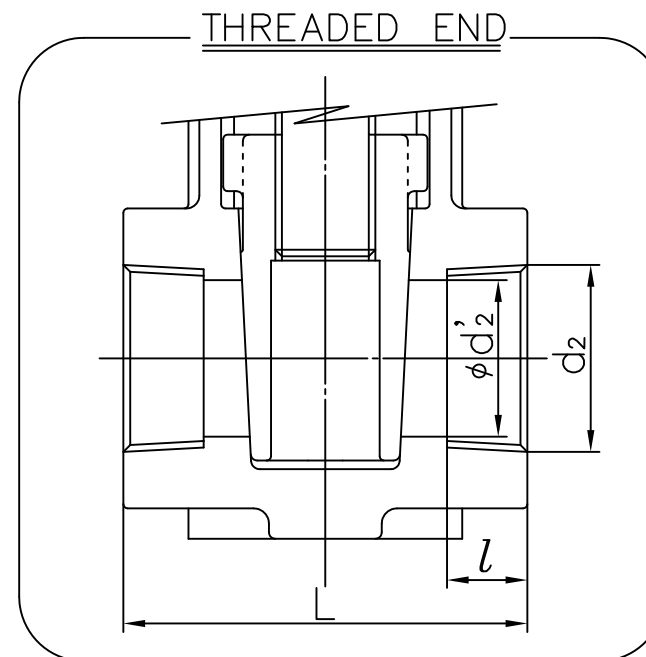
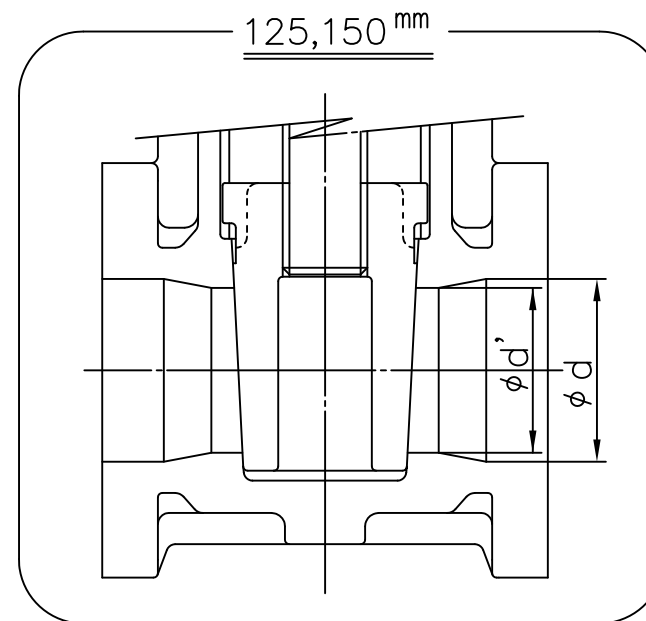
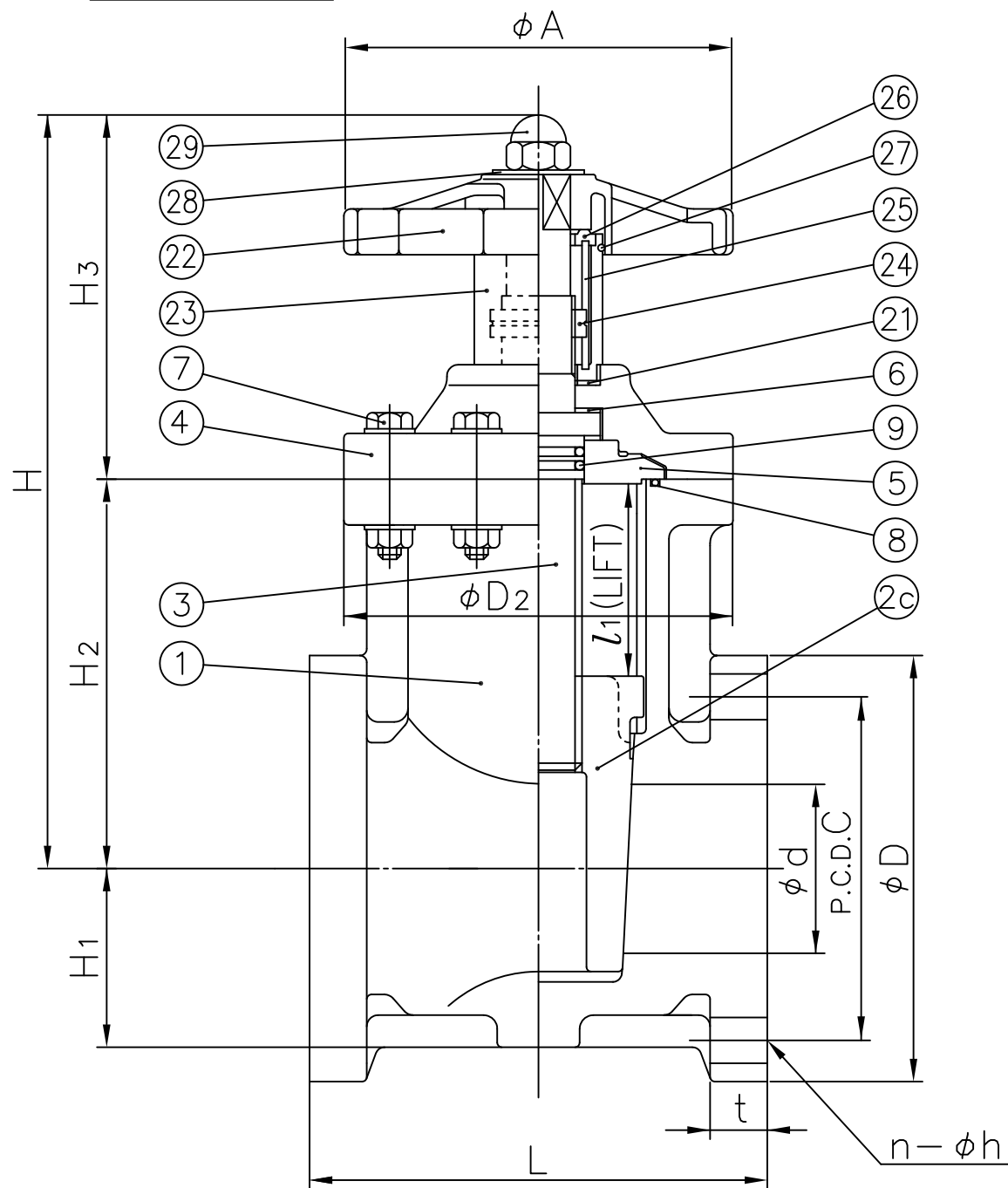
DIMENSIONS TABLE

UNIT:mm

NOMINAL SIZE	d	d'	d <sub>2</sub>	FLANGE						THREAD			D <sub>2</sub>	l <sub>1</sub>	H	H <sub>1</sub>	H <sub>2</sub>	H <sub>3</sub>	A	
				DIN PN10				L	t	d <sub>2</sub>	l	L								
				D	C	n	h													
40 <sup>mm</sup> 1½"	40	—	40	150	110	4	18	165	22	Rp ½	25	115	120	49	239	50	107	132	120	
50	2	50	—	50	165	125	4	18	180	23	Rp 2	28	130	130	60	270	58	134	136	130
65	2½	65	—	—	185	145	4	18	210	24	—	—	155	75	302	68	152	150	155	
80	3	75	—	—	200	160	8	18	240	25	—	—	170	85	325	77	170	155	170	
100	4	100	—	—	220	180	8	18	250	27	—	—	195	110	370	89	207	163	195	
125	5	125	110	—	250	210	8	18	260	27	—	—	235	117	407	89	227	180	235	
150	6	150	130	—	285	240	8	22	280	27	—	—	270	138	445	102	263	182	270	

NOTE. The shape and appearance of assembly differ a little with nominal size compared to this drawing.

FLANGED END



29	BOX NUT	1	STAINLESS STEEL (SUS304)	
28	WASHER	1	PVC	
27	O-RING (G)	1	EPDM	
26	GUIDE PIN HOLDER	1	PVC	
25	GUIDE PIN	1	STAINLESS STEEL (SUS304)	
24	INDICATING RING	1	PVC	
23	INDICATING COVER	1	PC	
22	HAND WHEEL	1	PP	
21	PACKING	1	EPDM	
9	O-RING (C)	2	□EPDM □others	
8	O-RING (B)	1	( )	
7	BOLT·NUT	—	STAINLESS STEEL (SUS304)	
6	THRUST RING	1set(2)	PP	
5	BONNET (B)	1	HI-PVC	
4	BONNET (A)	1	HI-PVC	
3	STEM	1	PVC	
2c	GATE (A)	1	PP	
1	BODY	1	HI-PVC	
No.	DESCRIPTION	No.REQ'D	MATERIAL	REMARKS

GATE VALVE(TYPE ○) ASS'Y  
 POPULAR TYPE (PP PLUG TYPE): HAND WHEEL MOD  
 DIN : □ FLANGED END, THREADED END  
 40<sup>mm</sup> (1½") ~ 150 (6")

DRAWN	A.Nakajo	DATE	SCALE
CHECKED	K.Sakaki	MAY.1.1999	~
APPROVED	H.Kai	DRAWING No.	
SPECIAL ORDER No.	CG-60001DE	△	
ASAHI YUKIZAI CORPORATION			