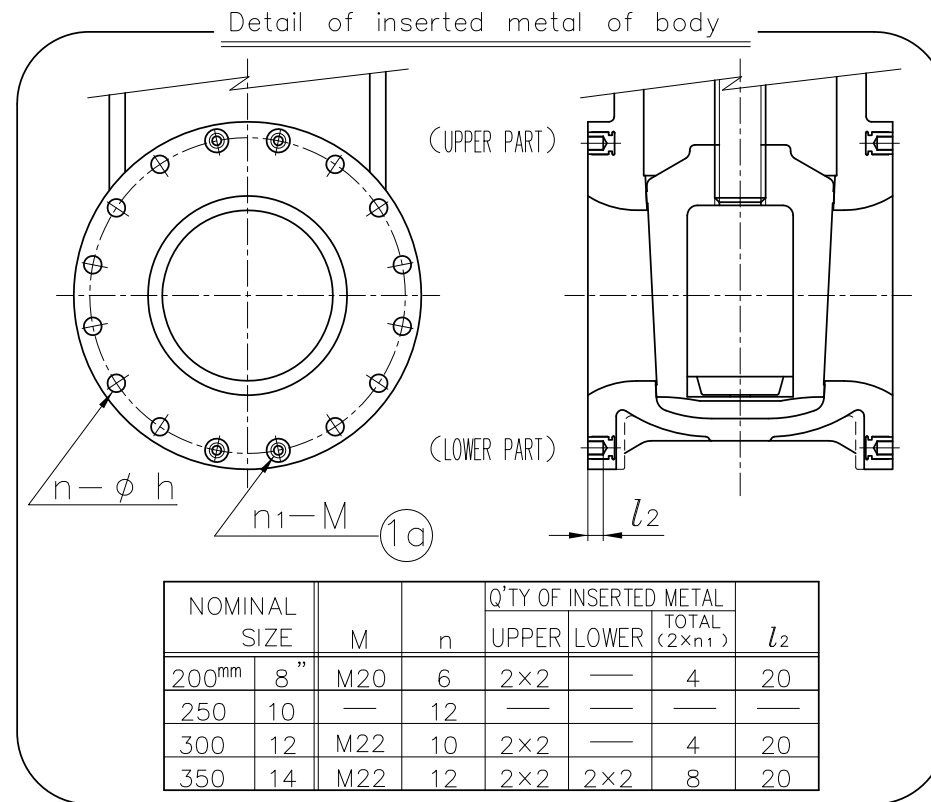
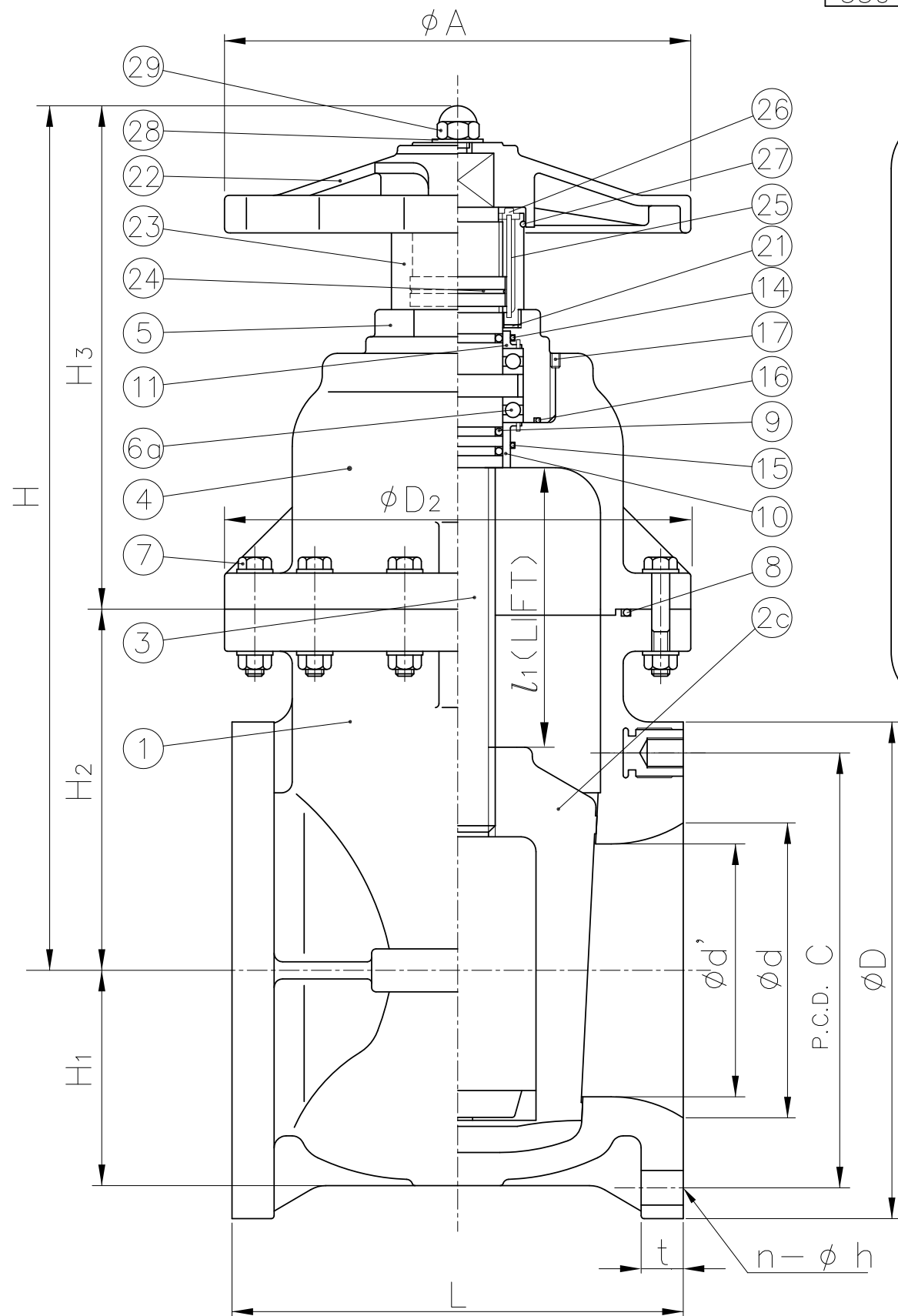


DIMENSIONS TABLE

UNIT: mm

NOMINAL SIZE	d	d'	DIN PN10							L	t	D ₂	l ₁	H	H ₁	H ₂	H ₃	A
			D	C	n	h	n ₁	M										
200 ^{mm} 8"	196	168	340	295	6	22	2	M20	300	28	310	180	577	143	240	337	310	
250	247	210	395	350	12	22	—	—	380	30	360	226	690	175	270	420	360	
300	298	255	445	400	10	22	2	M20	400	31	410	273	800	195	320	480	410	
350	348	297	505	460	12	22	4	M20	430	32	440	319	910	230	310	600	455	

NOTE. The shape and appearance of assembly differ a little with nominal size compared to this drawing.



NOMINAL SIZE	M	n	Q'TY OF INSERTED METAL			l ₂
			UPPER	LOWER	TOTAL (2x n ₁)	
200 ^{mm} 8"	M20	6	2x2	—	4	20
250	—	12	—	—	—	—
300	M22	10	2x2	—	4	20
350	M22	12	2x2	2x2	8	20

29	BOX NUT	1	STAINLESS STEEL (SUS304)	
28	WASHER	1	PVC	
27	O-RING (G)	1	EPDM	
26	GUIDE PIN HOLDER	1	PVC	
25	GUIDE PIN	1	STAINLESS STEEL (SUS304)	
24	INDICATING RING	1	PVC	
23	INDICATING COVER	1	PC	
22	HAND WHEEL	1	PP	
21	PACKING	1	EPDM	
17	SET SCREW (A)	1	STAINLESS STEEL (SUS304)	
11	BUSHING (B)	1	PP	
10	BUSHING (A)	1	PP	
16	O-RING (D)	1		
15	O-RING (F)	1	□EPDM	
14	O-RING (E)	1	□others	
9	O-RING (C)	3	()	
8	O-RING (B)	1		
7	BOLT·NUT	—	STAINLESS STEEL (SUS304)	
6a	THRUST BEARING	1set (2)	SUJ2	
5	BONNET (B)	1	HI-PVC	
4	BONNET (A)	1	HI-PVC	
3	STEM	1	PVC	
2c	GATE (A)	1	PP	
1a	INSERTED METAL OF BODY	—	COPPER ALLOY (C3604)	
1	BODY	1	HI-PVC	
No.	DESCRIPTION	No.REQ'D	MATERIAL	REMARKS

GATE VALVE (TYPE O ASS'Y)
POPULAR TYPE (PP PLUG TYPE): HAND WHEEL MODEL
DIN : FLANGED END
200^{mm} (8") ~ 350^{mm} (14")

DRAWN	T.Yamamoto	DATE	JUL.29.2008	SCALE	~
CHECKED	H.Kawano	DRAWING No.			
APPROVED	Y.Ozaki	CG-60002DE			
SPECIAL ORDER No.					

ASAHI YUKIZAI CORPORATION