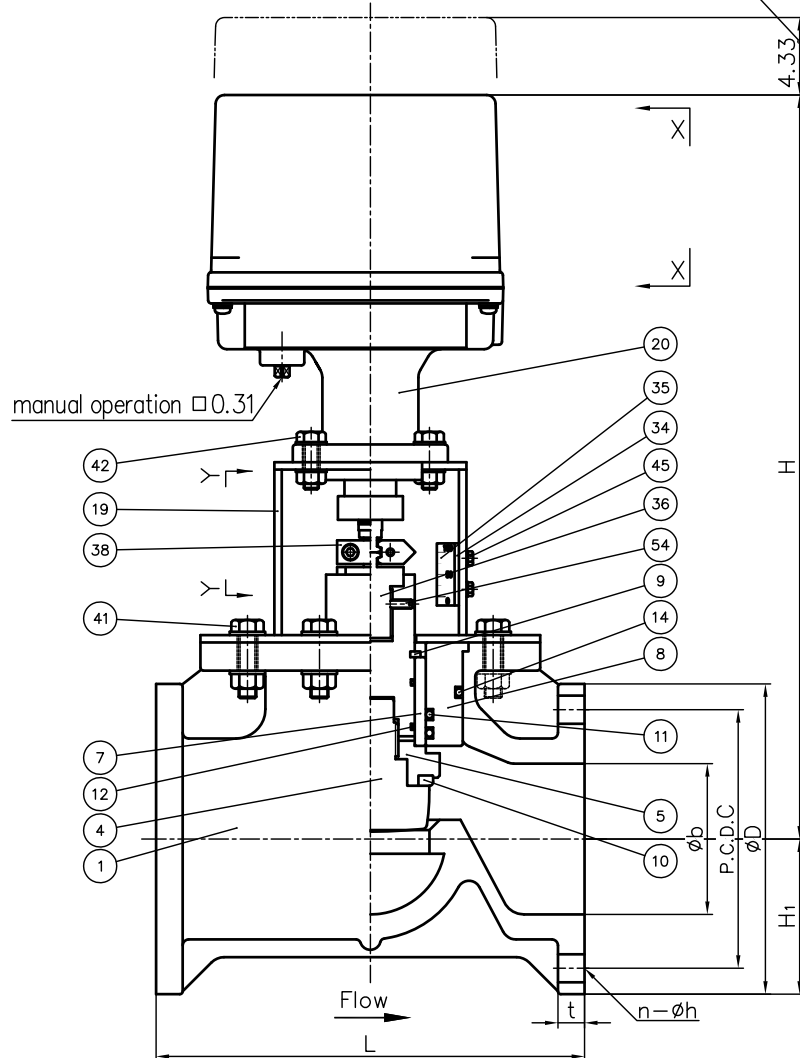


Space for switch cover removal



DIMENSIONS TABLE

Unit: inch

Nominal Size	d	ANSI Class 150					L	t	H	H1	A1	A2	A3	Actuator Type
		D	C	n	h									
2" 50mm	2.05	5.98	4.75	4	0.75	7.87	0.63	16.97	2.99	3.98	3.19	5.51	PSN1	
3 80	3.07	7.52	6.00	4	0.75	9.45	0.71	17.66	3.76	3.98	3.19	5.51	PSN1	
4 100	3.94	9.02	7.50	8	0.75	11.42	0.71	19.82	4.51	4.33	3.54	5.91	PSN3	

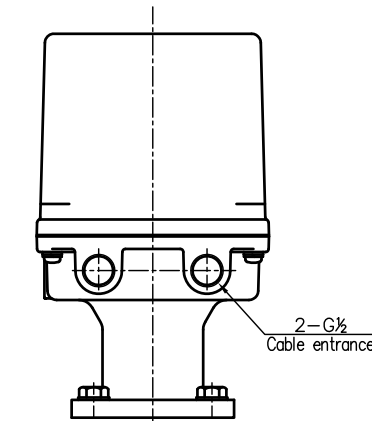
LIFT TABLE

Unit: inch

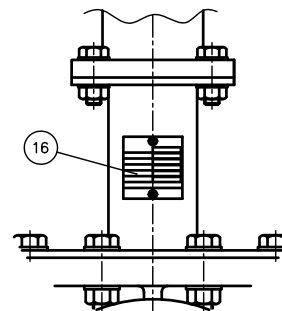
Nominal Size	PORT SIZE	PORT SIZE	
		S	L
2" 50mm		1.02	1.10
3 80		1.18	1.10
4 100		1.26	1.10

NOTE.

The shape and appearance of assembly differ a little with nominal size compared to this drawing.



X-X



Y-Y

54	SCREW (B)	1	STAINLESS STEEL	SUS304
45	BOLT · NUT (E)	2sets	STAINLESS STEEL	SUS304
42	BOLT · NUT (B)	4sets	STAINLESS STEEL	SUS304
41	BOLT · NUT (A)	—	STAINLESS STEEL	SUS304
38	INDICATOR	1	COPPER ALLOY	C3604
36	COUPLING	1	STAINLESS STEEL	SUS304
35	INDICATOR SEAL	1	ACRYL	
34	INDICATOR PLATE	1	STAINLESS STEEL	SUS304
20	ACTUATOR	1	ALUMINIUM ALLOY etc.	
19	STAND	1	STAINLESS STEEL	SUS304
16	NAME PLATE	1	ACRYL	
12	O-RING (B)	2	□EPDM □Viflon-F	
11	O-RING (A)	2	□Viflon-C □Others	
10	SEAT	1	()	
9	STOP RING	1	PVDF	
8	BUSH GUIDE	1	PVC	
7	BUSH	1	PTFE	
5	PISTON (A)	1	PVC	
4	PLUG	1	PVC	
1	BODY	1	PVC	
No.	DESCRIPTION	QTY.	MATERIAL	REMARKS

ITEM	CONTROL VALVE ELECTRIC MODEL M TYPE ASS'Y ANSI Class 150 2" (50mm) ~ 4" (100mm)		
DRAWN	M.Iwakiri	DATE	SCALE
CHECKED	H.Kawano	AUG.8.2019	~
APPROVED	K.Koushou	DRAWING No.	
SPECIAL ORDER No.		CV-AE005AE	4
ASAHI YUKIZAI CORPORATION			