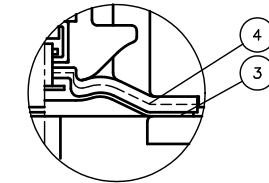
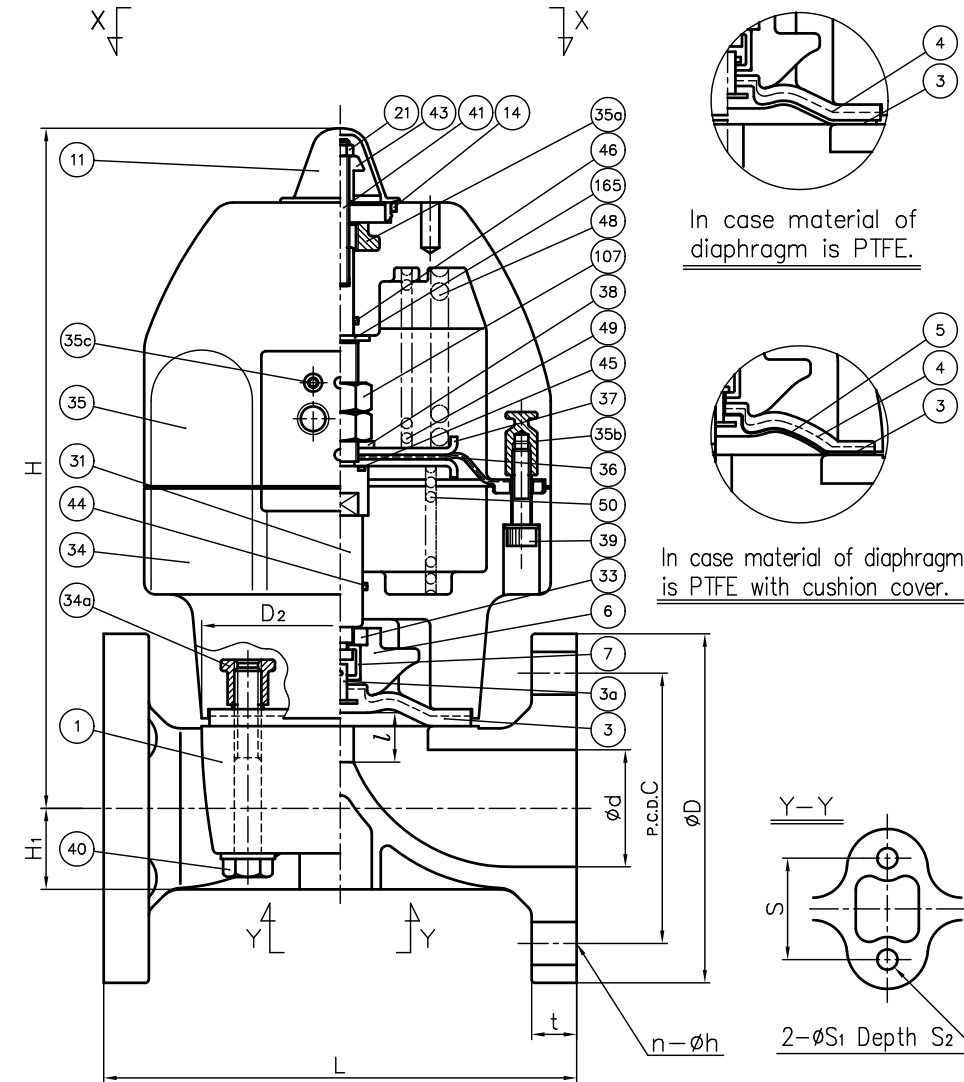


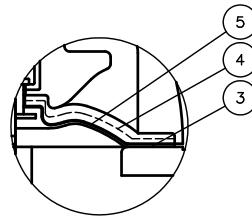
DIMENSIONS TABLE

UNIT: mm

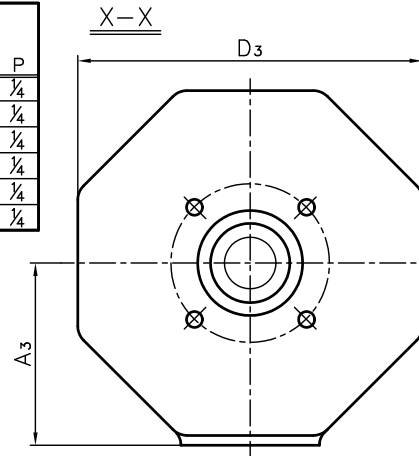
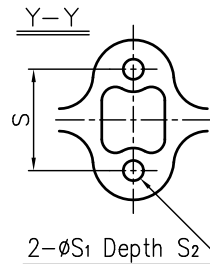
NOMINAL SIZE	ANSI Class 150					D ₂	D ₃	L		t	l (LIFT)	H	H ₁	A ₃	S	S ₁	S ₂	P
	d	D	C	n	h			GRINNEL STANDARD	AV STANDARD									
15mm 1/2"	16	89	60.5	4	16	54×66	130	108	110	11	10	186	19.5	68	25	7	13	1/4
20 3/4"	20	98	70	4	16	54×66	130	149	120	13	10	188	17.5	68	25	7	13	1/4
25 1"	25	108	79.5	4	16	67×80	130	149	130	15	12	193	18.5	68	25	7	13	1/4
32 1 1/4"	32	117	89	4	16	67×80	130	162	-	16	12	197	22.5	68	25	7	13	1/4
40 1 1/2"	40	127	98.5	4	16	108×108	174	176	180	16	21	293	27.5	92	45	9	15	1/4
50 2"	52	152	120.5	4	19	123×123	174	201.6	210	20	25	302	36	92	45	9	15	1/4



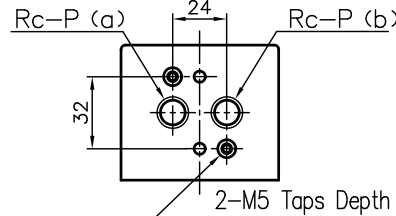
In case material of diaphragm is PTFE.



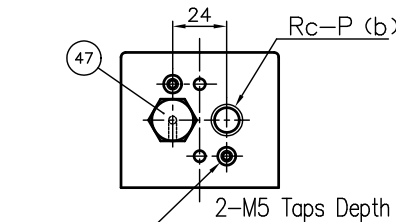
In case material of diaphragm is PTFE with cushion cover.



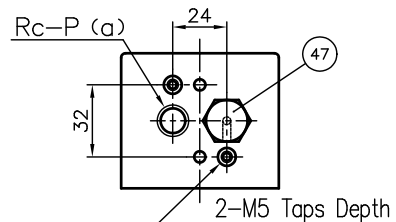
Face of Air Supply (Double Acting)



Face of Air Supply (Air to Shut)



Face of Air Supply (Air to Shut)



NOTE.

- Operation of permission pressure: 0.4~0.6MPa G
Air to open : 25~50mm² : 0.45~0.6MPa G
(only fluid pressure is 0)
- Double Acting : Valve open : Port (a) Exhaust
Port (b) Supply
Valve shut : Port (a) Supply
Port (b) Exhaust
Air To Open : Valve open : Port (b) Supply
Valve shut : Port (b) Exhaust
Air To Shut : Valve open : Port (a) Exhaust
Valve shut : Port (a) Supply
- Diaphragms except EPDM and PTFE are available in FKM, VIFLON-C (FKM-C), VIFLON-F (FKM-F), CSM and NBR when required.
- The shape and appearance of assembly differ a little with nominal size compared to this drawing.

165 WASHER (A)	1	STAINLESS STEEL	SUS304	
107 LOCK NUT	2	STAINLESS STEEL	SUS304	
50 SPRING (C)	1	SPRING STEEL (SWOSM-B)	Used for Air to Shut	
49 SPRING (B)	1	SPRING STEEL (SWOSM-B)	Used for Air to Open	
48 SPRING (A)	1	SPRING STEEL (SWOSM-B)	Used for Air to Open	
47 NIPPLE	1	COPPER ALLOY (C3604)	Used for Air to Shut and Air to Open	
46 O-RING (F)	1	NBR		
45 O-RING (E)	1	NBR		
44 O-RING (D)	1	NBR		
43 STOPPER	1	STAINLESS STEEL	SUS304	
41 INDICATING ROD	1	STAINLESS STEEL	SUS304	
40 BOLT (B)	4	STAINLESS STEEL	SUS304	
39 BOLT (A)	8	STAINLESS STEEL	SUS304	
38 CONICAL SPRING WASHER (B)	1	STAINLESS STEEL	SUS304	
37 CYLINDER DIAPHRAGM PLATE	2	STAINLESS STEEL	SUS304	
36 CYLINDER DIAPHRAGM	1	NBR		
35c SCREWED METAL OF CYLINDER BONNET	2	STAINLESS STEEL	SUS303	
35b INSERTED METAL OF CYLINDER BONNET (B)	8	COPPER ALLOY	C3604	
35a INSERTED METAL OF CYLINDER BONNET (A)	1	STAINLESS STEEL	SUS304	
35 CYLINDER BONNET	1	PPG		
34a INSERTED METAL OF CYLINDER BODY	1	COPPER ALLOY	C3604	
34 CYLINDER BODY	1	PPG		
33 COMPRESSOR PUSHING PLATE	1	COPPER ALLOY	C3604	
31 STEM (A)	1	COPPER ALLOY	C3604	
21 NUT	1	STAINLESS STEEL	SUS304	
14 O-RING (A)	1	EPDM		
11 GAUGE COVER	1	PC		
7 JOINT	1	STAINLESS STEEL	SUS304	
6 COMPRESSOR	1	PVDF		
5 CUSHION COVER	1	<input type="checkbox"/> Nothing <input type="checkbox"/> PVDF	Used for PTFE Diaphragm	
4 CUSHION	1	EPDM	Used for PTFE Diaphragm	
3a INSERTED METAL OF DIAPHRAGM	1	STAINLESS STEEL	SUS304	
3 DIAPHRAGM	1	<input type="checkbox"/> EPDM <input type="checkbox"/> PTFE <input type="checkbox"/> others		
1 BODY	1	<input type="checkbox"/> PVC <input type="checkbox"/> C-PVC <input type="checkbox"/> PP <input type="checkbox"/> PVDF		
No.	DESCRIPTION	QTY.	MATERIAL	REMARKS
ITEM	DIAPHRAGM VALVE (TYPE14) PNEUMATIC ACTUATED MODEL TYPE AN ASSY <input type="checkbox"/> DOUBLE ACTING, <input type="checkbox"/> AIR TO OPEN, <input type="checkbox"/> AIR TO SHUT ANSI Class 150 : FLANGED END 15mm (1/2") ~ 50mm (2") <input type="checkbox"/> GRINNEL STANDARD, <input type="checkbox"/> AV STANDARD			
DRAWN	M.Iwakiri	DATE	SCALE	
CHECKED	H.Kawano	FEB.7.2019		
APPROVED	K.Kaushou	DRAWING No.		
		D1-AA016AEm		
SPECIAL ORDER No.	ASAHI YUKIZAI CORPORATION			