

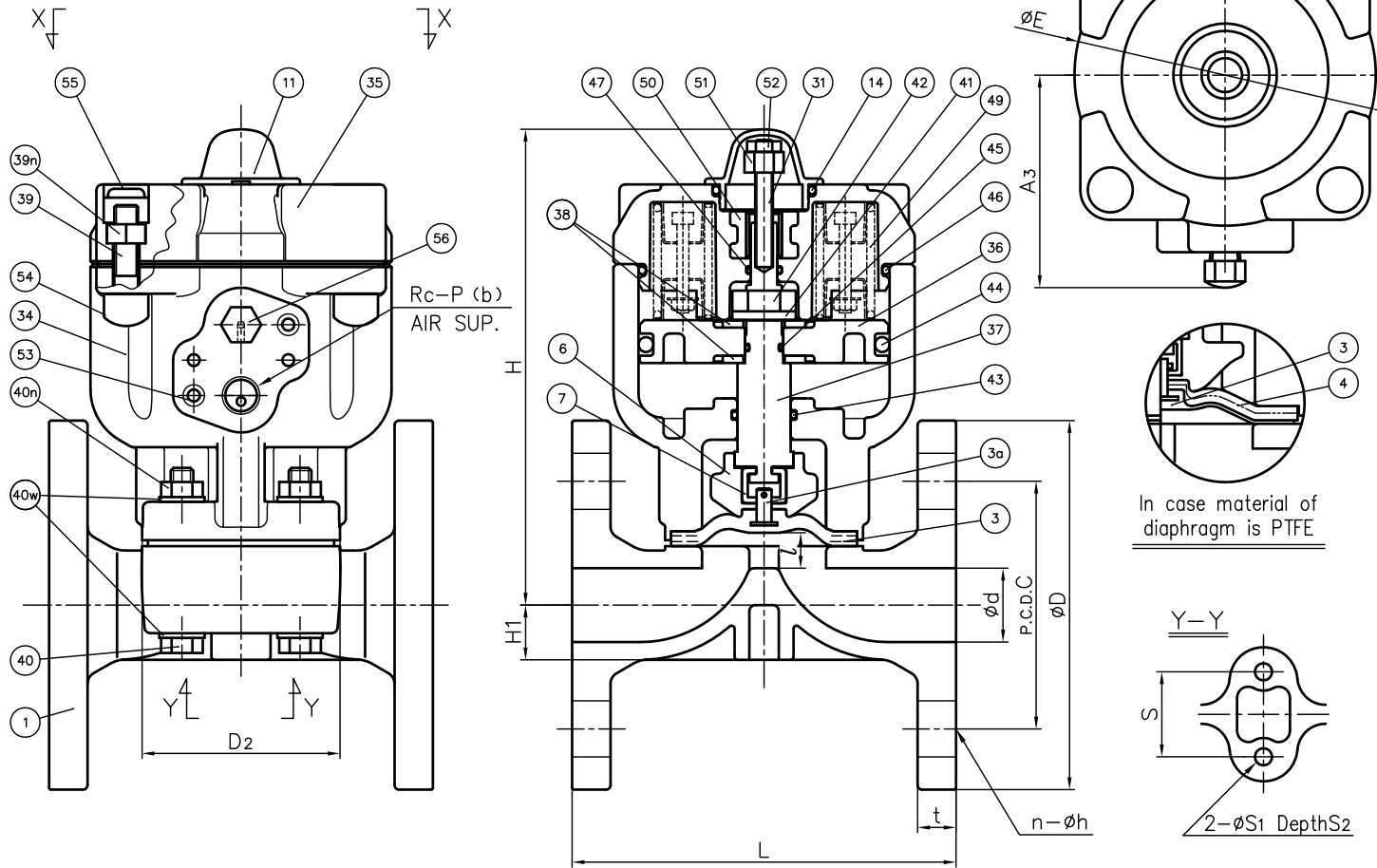
DIMENSIONS TABLE

UNIT : inch

NOMINAL SIZE	d	ANSI Class 150				L		D ₂	D ₃	E	t	l (LIFT)	H	H ₁	A ₃	S	S ₁	S ₂	P	
		D	C	n	h	GRINNEL STANDARD	AV STANDARD													
½"	15mm	0.63	3.50	2.38	4	0.62	4.25	4.33	2.13×2.60	3.58	3.70	0.43	0.31	5.71	0.77	2.64	0.98	0.28	0.51	¼
¾"	20	0.79	3.88	2.75	4	0.62	5.88	4.72	2.36×2.91	3.58	3.70	0.51	0.31	6.02	0.69	2.64	0.98	0.28	0.51	¼
1"	25	0.98	4.25	3.12	4	0.62	5.88	5.12	2.64×3.15	3.94	4.02	0.59	0.39	6.34	0.73	2.83	0.98	0.28	0.51	¼
1¼"	32	1.26	4.62	3.50	4	0.62	6.38	-	2.64×3.15	3.94	4.02	0.63	0.39	6.50	0.89	2.83	0.98	0.28	0.51	¼

NOTE.

1. Operation of permission pressure: (PN0.7)0.4~0.6MPa G
(PN1.0)0.5~0.6MPa G
2. Air to Open : Valve Open :Port (b) Supply
Valve Shut :Port (b) Exhaust
3. The shape and appearance of assembly differ a little with nominal size compared to this drawing.



56	NIPPLE	1	COPPER ALLOY (C3604)	
55	CAP	4	EPDM	PN0.7: Red PN1.0: Blue
54	CAP FOR HEXAGON SOCKET HEAD CAP SCREWS	4	PVC	
53	INSERTED METAL OF CYLINDER BODY	2	STAINLESS STEEL (SUS303)	
52	NUT (No.52)	1	STAINLESS STEEL (SUS304)	
51	STOPPER FOR PNEUMATIC ACTUATOR	1	STAINLESS STEEL (SUS304)	
50	INSERTED METAL OF CYLINDER COVER	1	STAINLESS STEEL (SUS304)	
49	SPRING UNIT	-	SWOSC-V etc.	
47	O-RING (No.47)	1	NBR	
46	O-RING (No.46)	1	NBR	
45	O-RING (No.45)	1	NBR	
44	O-RING (No.44)	1	NBR	
43	O-RING (No.43)	1	NBR	
42	NUT (No.42)	1	STAINLESS STEEL (SUS304)	
41	SPRING WASHER	1	STAINLESS STEEL (SUS304)	
40n	NUT (No.40)	4	STAINLESS STEEL (SUS304)	
40w	WASHER (No.40)	8	STAINLESS STEEL (SUS304)	
40	BOLT (No.40)	4	STAINLESS STEEL (SUS304)	
39n	NUT (No.39)	4	STAINLESS STEEL (SUS304)	
39	HEXAGON SOCKET HEAD CAP SCREWS	4	STAINLESS STEEL (SUS304)	
38	WASHER (No.38)	2	STAINLESS STEEL (SUS304)	
37	STEM FOR PNEUMATIC ACTUATOR	1	COPPER ALLOY (C3604)	
36	PISTON	1	PPG	
35	CYLINDER COVER	1	PPG	
34	CYLINDER BODY	1	PPG	
31	INDICATOR ROD	1	STAINLESS STEEL (SUS304)	
14	O-RING (No.14)	1	EPDM	
11	GAUGE COVER	1	PC	
7	JOINT	1	STAINLESS STEEL (SUS304)	
6	COMPRESSOR	1	PVDF	
4	CUSHION	1	EPDM	Used for PTFE Diaphragm
3a	INSERTED METAL OF DIAPHRAGM	1	STAINLESS STEEL (SUS304)	
3	DIAPHRAGM	1	□EPDM □PTFE □Others ()	
1	BODY	1	□PVC □C-PVC □PP □PVDF	

No.	DESCRIPTION	QTY.	MATERIAL	REMARKS
DIAPHRAGM VALVE PNEUMATIC ACTUATED MODEL TYPE AI ASS'Y AIR TO OPEN (□PN0.7 , □PN1.0) ANSI Class150: FLANGED END ½" (15mm) ~ 1¼" (32mm) □A STANDARD, □G STANDARD				
DRAWN	E.Emmei	DATE	SCALE	
CHECKED	H.Kawano	DEC.19.2018		
APPROVED	K.Koushou	DRAWING No.		
		D1-AA087AE		
SPECIAL ORDER No.				
ASAHI YUKIZAI CORPORATION				