

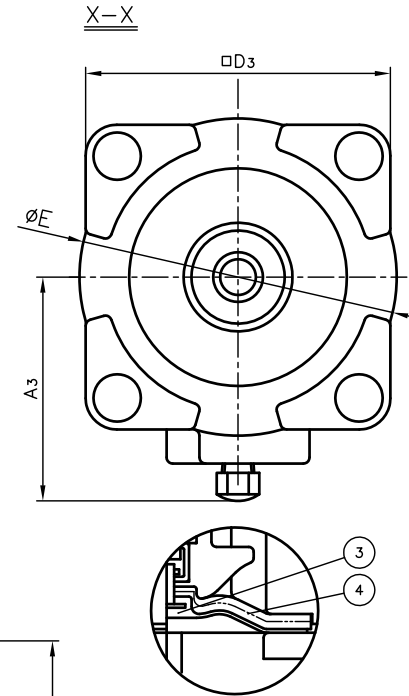
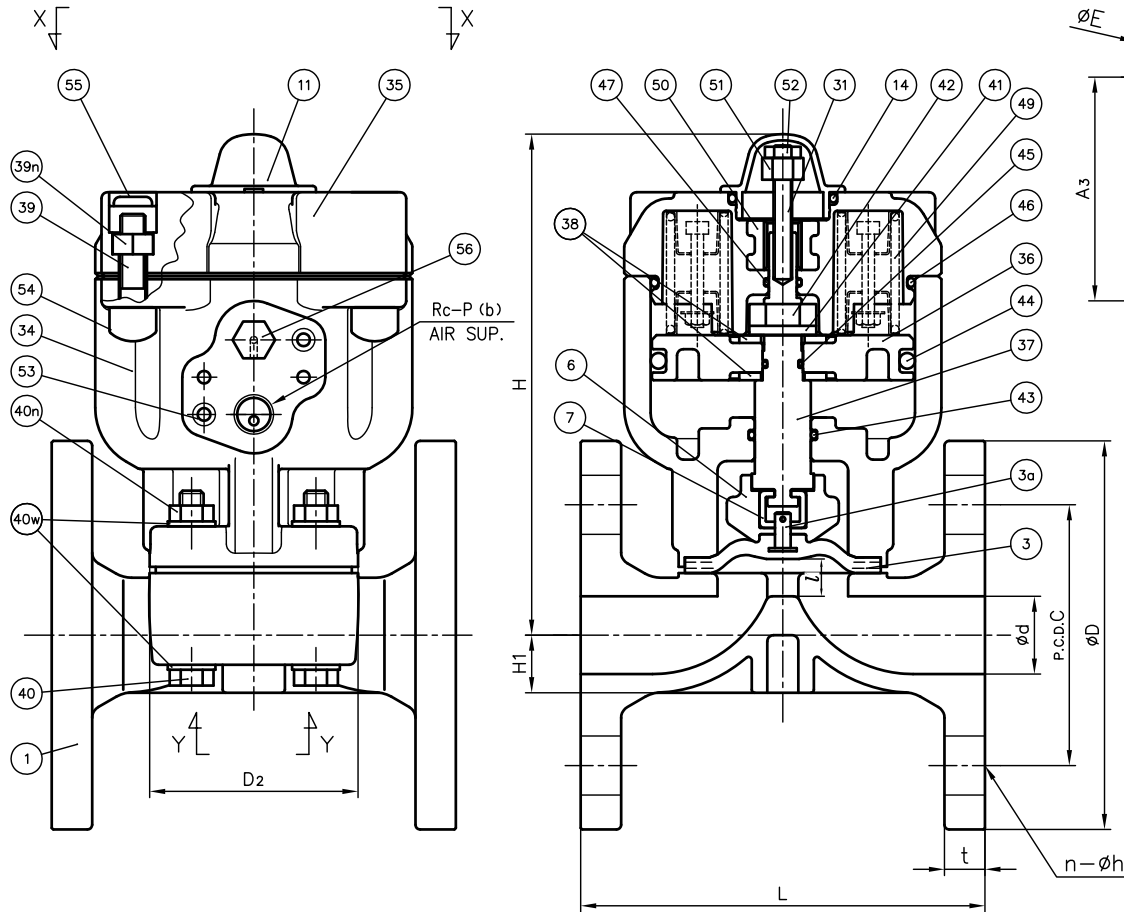
DIMENSIONS TABLE

UNIT : mm

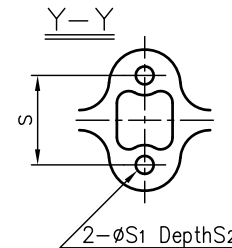
NOMINAL SIZE		JIS 10K					D ₂	D ₃	E	L	t	l (LIFT)	H	H ₁	A ₃	S	S ₁	S ₂	P
d		D	C	n	h														
15mm	½"	16	95	70	4	15	54×66	91	94	110	12	8	145	19.5	67	25	7	13	¼
20	¾"	20	100	75	4	15	60×74	91	94	120	13	8	153	17.5	67	25	7	13	¼
25	1"	25	125	90	4	19	67×80	100	102	130	13	10	161	18.5	72	25	7	13	¼
32	1¼"	32	135	100	4	19	67×80	100	102	142	16	10	165	22.5	72	25	7	13	¼

NOTE.

- Operation of permission pressure: (PN0.7)0.4~0.6MPa G
(PN1.0)0.5~0.6MPa G
- Air to Open : Valve Open : Port (b) Supply
Valve Shut : Port (b) Exhaust
- The shape and appearance of assembly differ a little with nominal size compared to this drawing.



In case material of diaphragm is PTFE



56	NIPPLE	1	COPPER ALLOY (C3604)	
55	CAP	4	EPDM	PN0.7: Red PN1.0: Blue
54	CAP FOR HEXAGON SOCKET HEAD CAP SCREWS	4	PVC	
53	INSERTED METAL OF CYLINDER BODY	2	STAINLESS STEEL (SUS304)	
52	NUT (No.52)	1	STAINLESS STEEL (SUS304)	
51	STOPPER FOR PNEUMATIC ACTUATOR	1	STAINLESS STEEL (SUS304)	
50	INSERTED METAL OF CYLINDER COVER	1	STAINLESS STEEL (SUS304)	
49	SPRING UNIT	-	SWOSC-V etc.	
47	O-RING (No.47)	1	NBR	
46	O-RING (No.46)	1	NBR	
45	O-RING (No.45)	1	NBR	
44	O-RING (No.44)	1	NBR	
43	O-RING (No.43)	1	NBR	
42	NUT (No.42)	1	STAINLESS STEEL (SUS304)	
41	SPRING WASHER	1	STAINLESS STEEL (SUS304)	
40n	NUT (No.40)	4	STAINLESS STEEL (SUS304)	
40w	WASHER (No.40)	8	STAINLESS STEEL (SUS304)	
40	BOLT (No.40)	4	STAINLESS STEEL (SUS304)	
39n	NUT (No.39)	4	STAINLESS STEEL (SUS304)	
39	HEXAGON SOCKET HEAD CAP SCREWS	4	STAINLESS STEEL (SUS304)	
38	WASHER (No.38)	2	STAINLESS STEEL (SUS304)	
37	STEM FOR PNEUMATIC ACTUATOR	1	COPPER ALLOY (C3604)	
36	PISTON	1	PPG	
35	CYLINDER COVER	1	PPG	
34	CYLINDER BODY	1	PPG	
31	INDICATOR ROD	1	STAINLESS STEEL (SUS304)	
14	O-RING (No.14)	1	EPDM	
11	GAUGE COVER	1	PC	
7	JOINT	1	STAINLESS STEEL (SUS304)	
6	COMPRESSOR	1	PVDF	
4	CUSHION	1	EPDM	Used for PTFE Diaphragm
3a	INSERTED METAL OF DIAPHRAGM	1	STAINLESS STEEL (SUS304)	
3	DIAPHRAGM	1	□EPDM □PTFE □Others ()	
1	BODY	1	□PVC □C-PVC □PP □PVDF	
No.	DESCRIPTION	QTY.	MATERIAL	REMARKS

DIAPHRAGM VALVE PNEUMATIC ACTUATED MODEL TYPE AI ASS'Y
AIR TO OPEN (□PN0.7 , □PN1.0)
JIS 10K : FLANGED END
15mm (½") ~ 32mm (1¼")

DRAWN	E.Emmei	DATE	SCALE
CHECKED	H.Kawano	DEC.19.2018	~
APPROVED	K.Koushou	DRAWING No. D1-AA087JE	

SPECIAL ORDER No. ASAHYUKIZAI CORPORATION