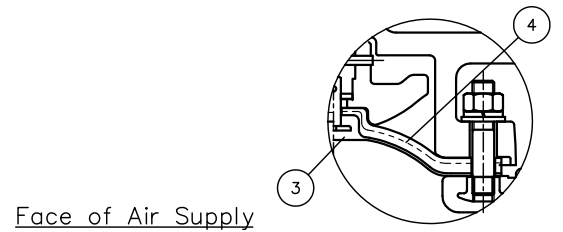
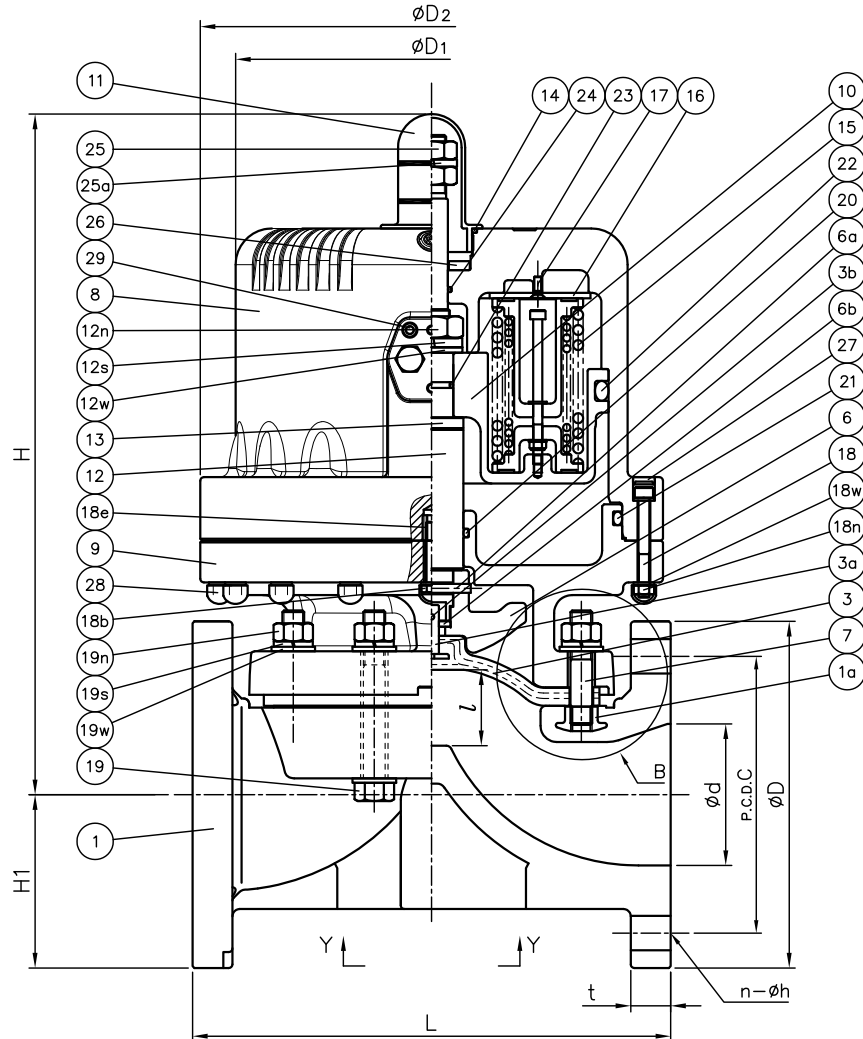


DIMENSIONS TABLE

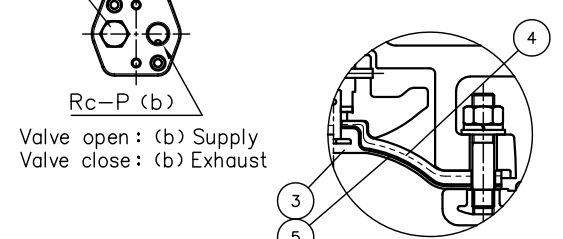
UNIT : mm

NOMINAL SIZE	MAX. WORKING PRESSURE	d	ANSI Class 150				D1	D2	l (LIFT)	L				t		H	H1	S	S1	S2	P
			D	C	n	h				GRINNEL STANDARD	AV STANDARD	PVC C-PVC	PP PVDF	H	H1						
65mm	2½"	85psi, 150psi	67	178	139.5	4	19	216	255	34	-	250	22	23	353	61	85	M8	15	¼	
80	3	85psi	78	191	152.5	4	19	216	255	42	263.5	280	22	23	376	63	100	M12	22	¼	
		150psi						232	271						389						
100	4	85psi	100	229	190.5	8	19	232	271	50	328.5	340	22	24	428	78	120	M12	22	¼	
		150psi						276	315						451						

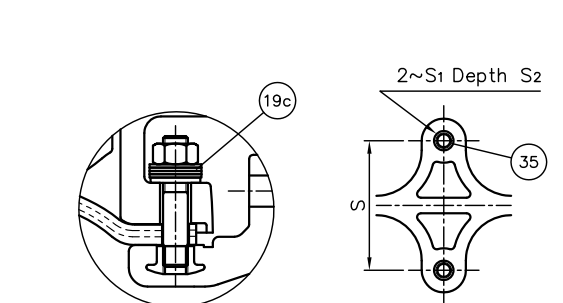
NOTE. 1. Operation of permission pressure : 0.4~0.5MPaG  
 2. Diaphragms except EPDM and PTFE are available in FKM, VIFLON-C (FKM-C), VIFLON-F (FKM-F), CSM and NBR when required.  
 3. The shape and appearance of assembly differ a little with nominal size compared to this drawing.



In case material of diaphragm is PTFE



In case material of diaphragm is PTFE with cushion cover



35	ENSAT FOR BODY	2	STAINLESS STEEL (SUS304)	
30	NIPPLE	1	PPG	
29	INSERTED METAL OF CYLINDER BODY	2	STAINLESS STEEL (SUS304)	
28	NUT CAP	-	PVC	
27	CAP	-	EPDM	85Psi : Red 150Psi : Blue
26	STOPPER BASE	1	STAINLESS STEEL (SUS304)	
25a	SPRING WASHER (No.25)	1	STAINLESS STEEL (SUS304)	
25	STOPPER	1sets	STAINLESS STEEL (SUS304)	
24	O-RING (No.24)	1	NBR	
23	O-RING (No.23)	1	NBR	
22	O-RING (No.22)	1	NBR	
21	O-RING (No.21)	1	NBR	
20	O-RING (No.20)	1	NBR	
19w	WASHER (No.19)	12	STAINLESS STEEL (SUS304)	
19s	SPRING WASHER (No.19)	8	STAINLESS STEEL (SUS304)	
19n	NUT (No.19)	8	STAINLESS STEEL (SUS304)	
19c	CONICAL SPRING WASHER (No.19)	8sets	STAINLESS STEEL (SUS304)	Use for PVDF Body
19	BOLT (No.19)	4	STAINLESS STEEL (SUS304)	
18w	WASHER (No.18)	-	STAINLESS STEEL (SUS304)	
18n	NUT (No.18)	-	STAINLESS STEEL (SUS304)	
18e	INSERTED NUT (No.18)	1	STAINLESS STEEL (SUS304)	
18b	BOLT (No.18)	1	STAINLESS STEEL (SUS304)	
18	CAP BOLT (No.18)	-	STAINLESS STEEL (SUS304)	
17	SCREW	4	STAINLESS STEEL (SUS304)	
16	SPRING BASE	1	PVC	
15	SPRING UNIT	-	SWOSC-B etc.	
14	O-RING (No.14)	1	EPDM	
13	STEM WASHER	1	STAINLESS STEEL (SUS304)	
12w	WASHER (No.12)	1	STAINLESS STEEL (SUS304)	
12s	SPRING WASHER (No.12)	1	STAINLESS STEEL (SUS304)	
12n	NUT (No.12)	1	STAINLESS STEEL (SUS304)	
12	STEM	1	STAINLESS STEEL (SUS304)	
11	GAUGE COVER	1	PC	
10	PISTON	1	PF+GF	
9	CYLINDER BONNET	1	PPG	
8	CYLINDER BODY	1	PPG	
7	STUD BOLT	4	STAINLESS STEEL (SUS304)	
6b	METAL OF COMPRESSOR	1	STAINLESS STEEL (SUS304)	
6a	COMPRESSOR PIN	1	STAINLESS STEEL (SUS304)	
6	COMPRESSOR	1	PVDF	
5	CUSHION COVER	1	□Nothing □PVDF	Use for PTFE Diaphragm
4	CUSHION	1	EPDM	Use for PTFE Diaphragm
3b	DIAPHRAGM PIN	1	STAINLESS STEEL (SUS304)	
3a	INSERTED METAL OF DIAPHRAGM	1	STAINLESS STEEL (SUS304)	
3	DIAPHRAGM	1	□EPDM □PTFE □Others ( )	
1a	INSERTED NUT	4	□COPPER ALLOY (C3604) □STAINLESS STEEL (SUS304)	Use for PVC,C-PVC,PP Body Use for PVDF Body
1	BODY	1	□PVC □C-PVC □PP □PVDF	

No.	DESCRIPTION	QTY.	MATERIAL	REMARKS
ITEM	DIAPHRAGM VALVE (TYPE14) PNEUMATIC ACTUATED MODEL TYPE AP ASSY AIR TO OPEN ANSI Class 150 : FLANGED END 65mm (2½") ~100mm (4") □ 85Psi □ 150Psi □ GRINNEL STANDARD, □ AV STANDARD			
DRAWN	E.Emmei	DATE	SCALE	
CHECKED	H.Kawano	MAY.1.2023		DRAWING No.
APPROVED	K.Koushou	D1-AA201AE		△
SPECIAL ORDER No.	ASAHI YUKIZAI CORPORATION			