

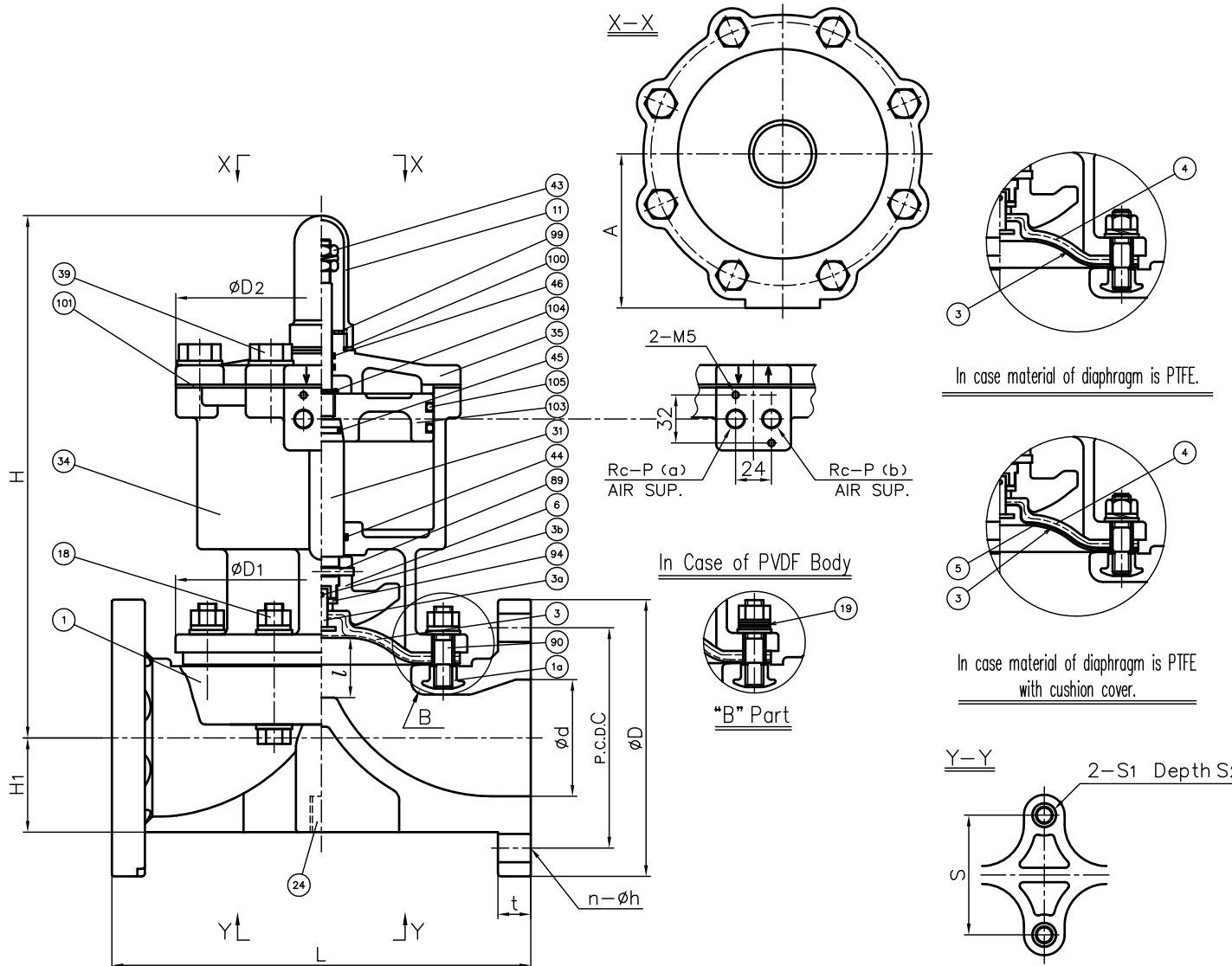
DIMENSIONS TABLE

UNIT: mm

NOMINAL SIZE	d	ANSI Class 150					D1	D2	A	L (LIFT)	L				H	H1	S	S1	S2	P
		D	C	n	h	GRINNEL STANDARD					AV STANDARD	PVC C-PVC	PP PVDF							
65mm 2½"	67	178	139.5	4	19	171	208	103	34	-	250	22	23	323	61	85	M8	15	¼	
80	78	191	152.5	4	19	195	208	103	42	263.5	280	22	23	354	63	100	M12	22	¼	
100	100	229	190.5	8	19	235	250	120	50	328.5	340	22	24	417	78	120	M12	22	¼	

NOTE.

- Operation of permission pressure: 0.4~0.6MPa G  
Valve open : Port (a) Exhaust  
                  Port (b) Supply  
Valve shut : Port (a) Supply  
                  Port (b) Exhaust
- Diaphragms except EPDM and PTFE are available in FKM, VIFLON-C (FKM-C), VIFLON-F (FKM-F), CSM and NBR when required.
- The shape and appearance of assembly differ a little with nominal size compared to this drawing.



105	O-RING (H)	2	NBR	
104	STEM PIN	1	SPRING STEEL (SUP)	
103	PISTON	1	CAST ALUMINUM ALLOY (AC5A)	
101	SHEET GASKET (B)	1	NBR	
100	SHEET GASKET (A)	1	EPDM	
99	VALVE SHEET	1	STAINLESS STEEL (SUS304)	
94	METAL OF COMPRESSOR	1	STAINLESS STEEL (SUS304)	
90	STUD BOLT-NUT	4Sets	STAINLESS STEEL (SUS304)	
89	COMPRESSOR PIN	1	STAINLESS STEEL (SUS304)	
46	O-RING (F)	2	NBR	
45	O-RING (E)	1	NBR	
44	O-RING (D)	1	NBR	
43	STOPPER	1	STAINLESS STEEL (SUS304)	
39	BOLT (A)	-	STAINLESS STEEL (SUS304)	
35	CYLINDER BONNET	1	CAST ALUMINUM ALLOY (AC4C)	Epoxy Coat
34	CYLINDER BODY	1	CAST ALUMINUM ALLOY (AC4C)	Epoxy Coat
31	STEM (A)	1	STAINLESS STEEL (SUS304)	
24	ENSAT FOR BODY	2	STAINLESS STEEL (SUS303)	
19	CONICAL SPRING WASHER (A)	-	STAINLESS STEEL (SUS304)	Used for PVDF Body
18	BOLT-NUT (A)	-	STAINLESS STEEL (SUS304)	
11	GAUGE COVER	1	PC	
6	COMPRESSOR	1	PVDF	
5	CUSHION COVER	1	□Nothing □PVDF	Used for PTFE Diaphragm
4	CUSHION	1	EPDM	Used for PTFE Diaphragm
3b	DIAPHRAGM PIN	1	STAINLESS STEEL (SUS304)	
3a	INSERTED METAL OF DIAPHRAGM	1	STAINLESS STEEL (SUS304)	
3	DIAPHRAGM	1	□EPDM □PTFE □Others ( )	
1a	INSERTED NUT	4	COPPER ALLOY (C3604) STAINLESS STEEL (SUS304)	Used for PVC,C-PVC,PP Body Used for PVDF Body
1	BODY	1	□PVC □C-PVC □PP □PVDF	

No.	DESCRIPTION	QTY.	MATERIAL	REMARKS
ITEM	DIAPHRAGM VALVE (TYPE 14) PNEUMATIC ACTUATED MODEL TYPE AV ASSY DOUBLE ACTING ANSI Class 150 : FLANGED END 65mm (2½") ~ 100mm (4") □ GRINNEL STANDARD, □ AV STANDARD			
DRAWN	E.Emmei	DATE	SCALE	
CHECKED	H.Kawano	MAR.1.2023		~
APPROVED	K.Koushou	DRAWING No.		
		D1-AA203AE		△
SPECIAL ORDER No.	ASAHI YUKIZAI CORPORATION			