

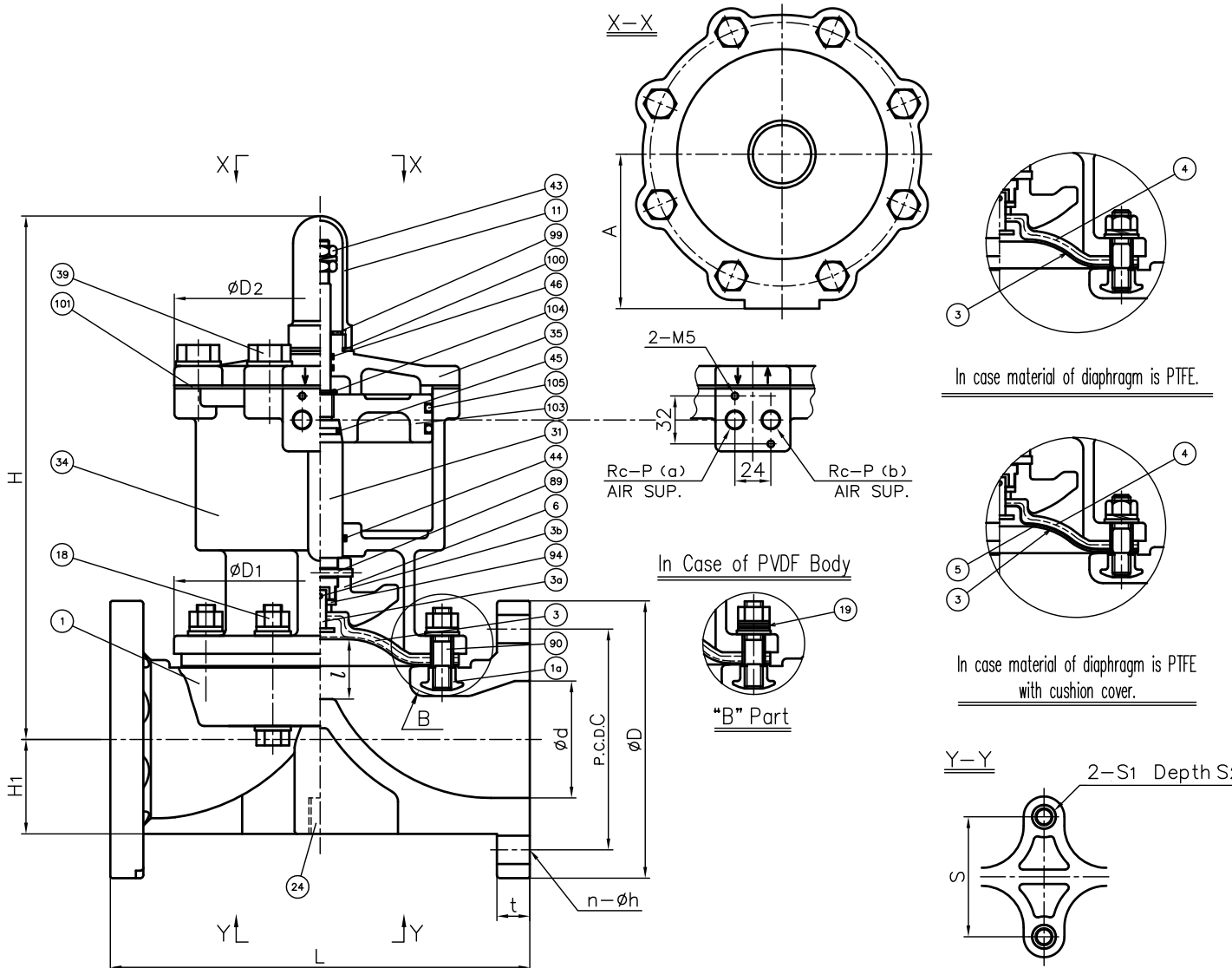
DIMENSIONS TABLE

UNIT : mm

| NOMINAL SIZE |     | d   | JIS 10K |     |   |    | D1  | D2  | A   | l (LIFT) | L   | t         |         | H   | H1 | S   | S1  | S2 | P |
|--------------|-----|-----|---------|-----|---|----|-----|-----|-----|----------|-----|-----------|---------|-----|----|-----|-----|----|---|
|              |     |     | D       | C   | n | h  |     |     |     |          |     | PVC C-PVC | PP PVDF |     |    |     |     |    |   |
| 65mm         | 2½" | 67  | 175     | 140 | 4 | 19 | 171 | 208 | 103 | 34       | 250 | 22        | 23      | 323 | 61 | 85  | M8  | 15 | ¼ |
| 80           | 3   | 78  | 185     | 150 | 8 | 19 | 195 | 208 | 103 | 42       | 280 | 22        | 23      | 354 | 63 | 100 | M12 | 22 | ¼ |
| 100          | 4   | 100 | 210     | 175 | 8 | 19 | 235 | 250 | 120 | 50       | 340 | 22        | 24      | 417 | 78 | 120 | M12 | 22 | ¼ |

NOTE.

- Operation of permission pressure: 0.4~0.6MPa G  
Valve open : Port (a) Exhaust  
                  Port (b) Supply  
Valve shut : Port (a) Supply  
                  Port (b) Exhaust
- Diaphragms except EPDM and PTFE are available in FKM, VIFLON-C (FKM-C), VIFLON-F (FKM-F), CSM and NBR when required.
- The shape and appearance of assembly differ a little with nominal size compared to this drawing.



|     |                             |       |  |  |
|-----|-----------------------------|-------|--|--|
| 105 | O-RING (H)                  | 2     | NBR  |  |
| 104 | STEM PIN                    | 1     | SPRING STEEL (SUP)   |  |
| 103 | PISTON                      | 1     | CAST ALUMINIUM ALLOY (AC5A)  |  |
| 101 | SHEET GASKET (B)            | 1     | NBR  |  |
| 100 | SHEET GASKET (A)            | 1     | EPDM   |  |
| 99  | VALVE SHEET                 | 1     | STAINLESS STEEL (SUS304)   |  |
| 94  | METAL OF COMPRESSOR         | 1     | STAINLESS STEEL (SUS304)   |  |
| 90  | STUD BOLT·NUT               | 4Sets | STAINLESS STEEL (SUS304)   |  |
| 89  | COMPRESSOR PIN              | 1     | STAINLESS STEEL (SUS304)   |  |
| 46  | O-RING (F)                  | 2     | NBR  |  |
| 45  | O-RING (E)                  | 1     | NBR  |  |
| 44  | O-RING (D)                  | 1     | NBR  |  |
| 43  | STOPPER                     | 1     | STAINLESS STEEL (SUS304)   |  |
| 39  | BOLT (A)                    | -     | STAINLESS STEEL (SUS304)   |  |
| 35  | CYLINDER BONNET             | 1     | CAST ALUMINIUM ALLOY (AC4C)  | Epoxy Coat                                       |
| 34  | CYLINDER BODY               | 1     | CAST ALUMINIUM ALLOY (AC4C)  | Epoxy Coat                                       |
| 31  | STEM (A)                    | 1     | STAINLESS STEEL (SUS304)   |  |
| 24  | ENSAT FOR BODY              | 2     | STAINLESS STEEL (SUS303)   |  |
| 19  | CONICAL SPRING WASHER (A)   | -     | STAINLESS STEEL (SUS304)   | Used for PVDF Body                               |
| 18  | BOLT·NUT (A)                | -     | STAINLESS STEEL (SUS304)   |  |
| 11  | GAUGE COVER                 | 1     | PC   |  |
| 6   | COMPRESSOR                  | 1     | PVDF   |  |
| 5   | CUSHION COVER               | 1     | <input type="checkbox"/> Nothing<br><input type="checkbox"/> PVDF  | Used for PTFE Diaphragm                          |
| 4   | CUSHION                     | 1     | EPDM   | Used for PTFE Diaphragm                          |
| 3b  | DIAPHRAGM PIN               | 1     | STAINLESS STEEL (SUS304)   |  |
| 3a  | INSERTED METAL OF DIAPHRAGM | 1     | STAINLESS STEEL (SUS304)   |  |
| 3   | DIAPHRAGM                   | 1     | <input type="checkbox"/> EPDM<br><input type="checkbox"/> PTFE<br><input type="checkbox"/> Others<br>( )                       |  |
| 1a  | INSERTED NUT                | 4     | COPPER ALLOY (C3604)<br>STAINLESS STEEL (SUS304)   | Used for PVC,C-PVC,PP Body<br>Used for PVDF Body |
| 1   | BODY                        | 1     | <input type="checkbox"/> PVC<br><input type="checkbox"/> C-PVC<br><input type="checkbox"/> PP<br><input type="checkbox"/> PVDF |  |

| No.               | DESCRIPTION  | QTY.        | MATERIAL | REMARKS |
|-------------------|--|-------------|----------|---------|
| ITEM              | DIAPHRAGM VALVE (TYPE 14) PNEUMATIC ACTUATED MODEL TYPE AV ASSY<br>DOUBLE ACTING<br>JIS 10K: FLANGED END<br>65mm (2½") ~100mm (4") |             |          |         |
| DRAWN             | E.Emmei  | DATE        | SCALE    |         |
| CHECKED           | H.Kawano   | MAR.1.2023  |          |         |
| APPROVED          | K.Koushou  | DRAWING No. |          |         |
|                   |  | D1-AA203JE  |          | △       |
| SPECIAL ORDER No. | ASAHI YUKIZAI CORPORATION  |             |          |         |