

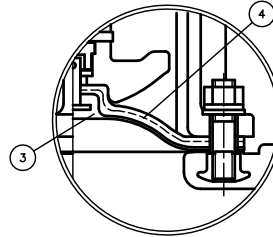
DIMENSIONS TABLE

UNIT: inch

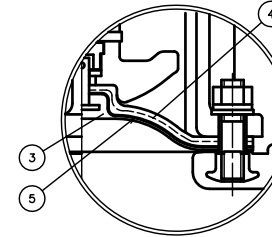
NOMINAL SIZE	d	ANSI Class 150					D1	D2	L (LIFT)	L		t		H	H1	S	S1	S2	S3	S4	S5	S6	S7	S8	P	
		GRINNEL STANDARD	AV STANDARD	PVC C-PVC	PP PVDF																					
2½"	65mm	2.64	7.00	5.50	4	0.75	6.73	11.02	1.34	—	9.84	0.87	0.91	16.65	2.40	3.35	M8	0.59	—	—	—	—	—	—	—	¼
3	80	3.07	7.50	6.00	4	0.75	7.68	12.01	1.65	10.37	11.02	0.87	0.91	17.91	4.29	—	—	—	0.47	7.09	8.66	6.89	8.46	0.75	¼	
4	100	3.94	9.00	7.50	8	0.75	9.25	15.16	1.97	12.93	13.39	0.87	0.94	22.91	4.69	—	—	—	0.59	9.06	10.63	8.66	10.24	0.75	¼	

NOTE.

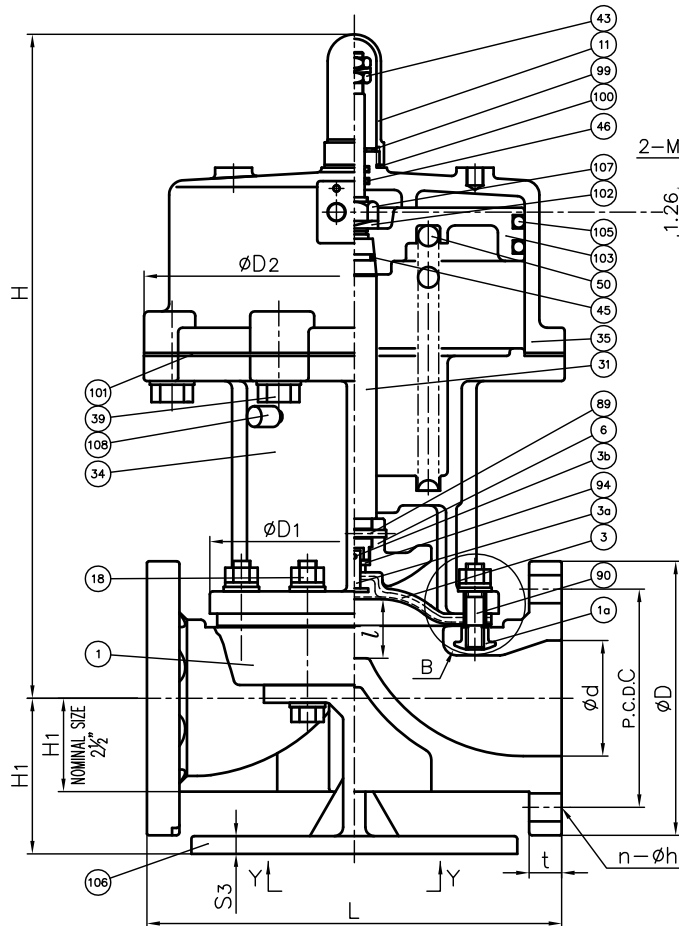
1. Operation of permission pressure: 0.4~0.6MPa G
2. Diaphragms except EPDM and PTFE are available in FKM, VIFLON-C (FKM-C), VIFLON-F (FKM-F), CSM and NBR when required.
3. The shape and appearance of assembly differ a little with nominal size compared to this drawing.



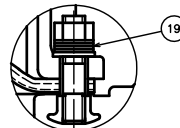
In case material of diaphragm is PTFE.



In case material of diaphragm is PTFE with cushion cover.

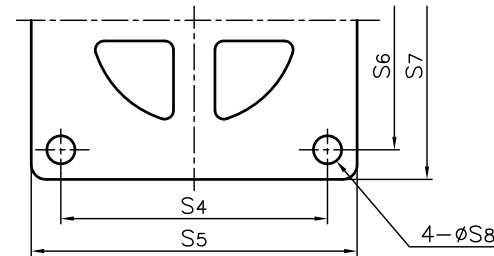


In Case of PVDF Body

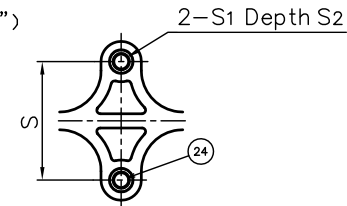


"B" Part

Y-Y  
(3", 4")



(2½")



108	CHECK VALVE FOR EXHAUST	1	COPPER ALLOY (C3604)	
107	LOCK NUT	2	Chromized STEEL (SS400)	
106	STAND	1	CAST ALUMINUM ALLOY (AC4C) (Epoxy Coat)	Used for Size 3", 4"
105	O-RING (H)	2	NBR	
103	PISTON	1	CAST ALUMINUM ALLOY (AC5A)	
102	SPRING WASHER (A)	1	SPRING STEEL (SUP)	
101	SHEET GASKET (B)	1	NBR	
100	SHEET GASKET (A)	1	EPDM	
99	VALVE SHEET	1	STAINLESS STEEL (SUS304)	
94	METAL OF COMPRESSOR	1	STAINLESS STEEL (SUS304)	
90	STUD BOLT · NUT	4Sets	STAINLESS STEEL (SUS304)	
89	COMPRESSOR PIN	1	STAINLESS STEEL (SUS304)	
50	SPRING (C)	1	SPRING STEEL (SUP)	
46	O-RING (F)	2	NBR	
45	O-RING (E)	1	NBR	
43	STOPPER (B)	1	STAINLESS STEEL (SUS304)	
39	BOLT (A)	—	STAINLESS STEEL (SUS304)	
35	CYLINDER BONNET	1	CAST ALUMINUM ALLOY (AC4C)	Epoxy Coat
34	CYLINDER BODY	1	CAST ALUMINUM ALLOY (AC4C)	Epoxy Coat
31	STEM (A)	1	STAINLESS STEEL (SUS304)	
24	ENSAT FOR BODY	2	STAINLESS STEEL (SUS303)	Used for Size 2½"
19	CONICAL SPRING WASHER (A)	8Sets	STAINLESS STEEL (SUS304)	Used for PVDF Body
18	BOLT · NUT (A)	4Sets	STAINLESS STEEL (SUS304)	
11	GAUGE COVER	1	PC	
6	COMPRESSOR	1	PVDF	
5	CUSHION COVER	1	□Nothing □PVDF	Used for PTFE Diaphragm
4	CUSHION	1	EPDM	
3b	DIAPHRAGM PIN	1	STAINLESS STEEL (SUS304)	
3a	INSERTED METAL OF DIAPHRAGM	1	STAINLESS STEEL (SUS304)	
3	DIAPHRAGM	1	□EPDM □PTFE □Others ( )	
1a	INSERTED NUT	4	COPPER ALLOY (C3604) STAINLESS STEEL (SUS304)	Used for PVC, C-PVC, PP Body Used for PVDF Body
1	BODY	1	□PVC □C-PVC □PP □PVDF	

No.	DESCRIPTION	QTY.	MATERIAL	REMARKS
ITEM	DIAPHRAGM VALVE (TYPE 14) PNEUMATIC ACTUATED MODEL TYPE AV ASSY AIR TO SHUT ANSI Class 150 : FLANGED END 2½" (65mm) ~ 4" (100mm) □GRINNEL STANDARD, □AV STANDARD			
DRAWN	E.Emmei	DATE	SCALE	
CHECKED	H.Kawano	MAR.1.2023		~
APPROVED	K.Koushou	DRAWING No.		
		D1-AA205AE		△
SPECIAL ORDER No.	ASAHI YUKIZAI CORPORATION			