

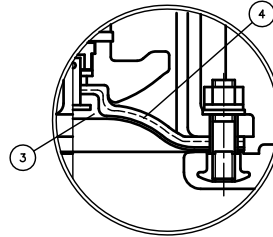
DIMENSIONS TABLE

UNIT : mm

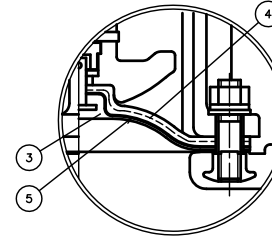
NOMINAL SIZE		DIN PN10										t										P	
		d	D	C	n	h	D1	D2	l (LIFT)	L	PVC C-PVC	PP PVDF	H	H1	S	S1	S2	S3	S4	S5	S6		S7
65mm	2½"	67	185	145	4	18	171	280	34	290	22	22	423	61	85	M8	15	-	-	-	-	-	¼
80	3	78	200	160	8	18	195	305	42	310	24	24	455	109	-	-	-	12	180	220	175	215	¼
100	4	100	220	180	8	18	235	385	50	350	24	26	582	119	-	-	-	15	230	270	220	260	¼

NOTE.

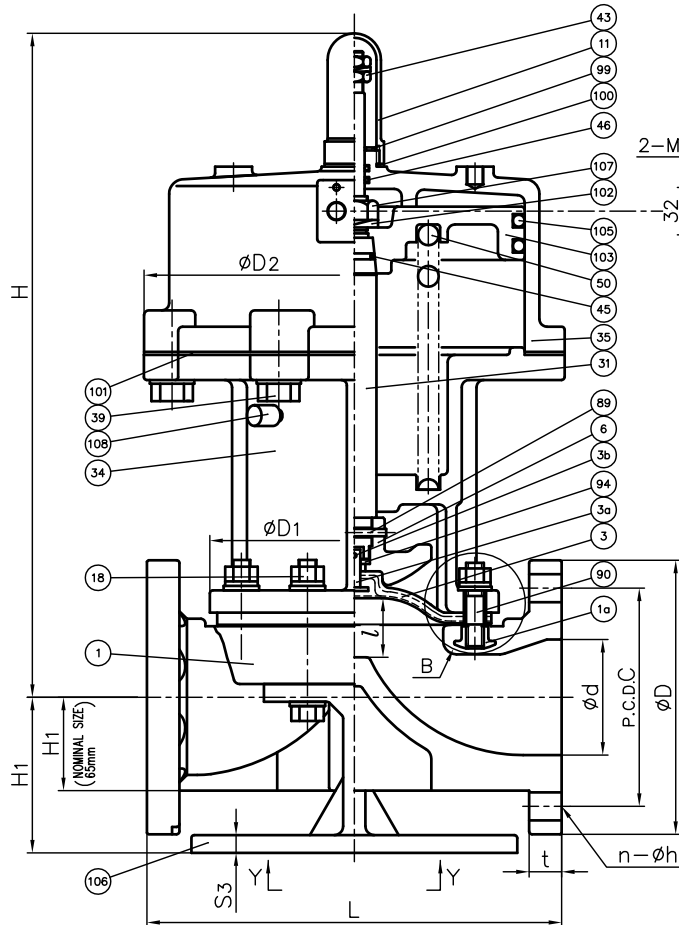
1. Operation of permission pressure: 0.4~0.6MPa G
2. Diaphragms except EPDM and PTFE are available in FKM, VIFLON-C (FKM-C), VIFLON-F (FKM-F), CSM and NBR when required.
3. The shape and appearance of assembly differ a little with nominal size compared to this drawing.



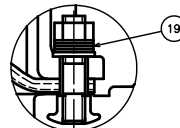
In case material of diaphragm is PTFE.



In case material of diaphragm is PTFE with cushion cover.

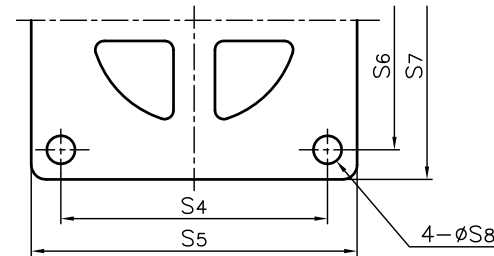


In Case of PVDF Body

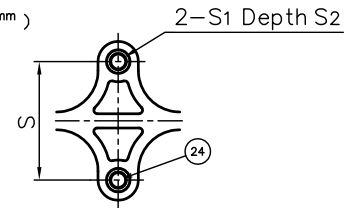


"B" Part

Y-Y (80,100mm)



(65mm)



No.	DESCRIPTION	QTY.	MATERIAL	REMARKS
108	CHECK VALVE FOR EXHAUST	1	COPPER ALLOY (C3604)	
107	LOCK NUT	2	Chromized STEEL (SS400)	
106	STAND	1	CAST ALUMINUM ALLOY (AC4C) (Epoxy Coat)	Used for Size 80,100mm
105	O-RING (H)	2	NBR	
103	PISTON	1	CAST ALUMINUM ALLOY (AC5A)	
102	SPRING WASHER (A)	1	SPRING STEEL (SUP)	
101	SHEET GASKET (B)	1	NBR	
100	SHEET GASKET (A)	1	EPDM	
99	VALVE SHEET	1	STAINLESS STEEL (SUS304)	
94	METAL OF COMPRESSOR	1	STAINLESS STEEL (SUS304)	
90	STUD BOLT·NUT	4Sets	STAINLESS STEEL (SUS304)	
89	COMPRESSOR PIN	1	STAINLESS STEEL (SUS304)	
50	SPRING (C)	1	SPRING STEEL (SUP)	
46	O-RING (F)	2	NBR	
45	O-RING (E)	1	NBR	
43	STOPPER (B)	1	STAINLESS STEEL (SUS304)	
39	BOLT (A)	-	STAINLESS STEEL (SUS304)	
35	CYLINDER BONNET	1	CAST ALUMINUM ALLOY (AC4C)	Epoxy Coat
34	CYLINDER BODY	1	CAST ALUMINUM ALLOY (AC4C)	Epoxy Coat
31	STEM (A)	1	STAINLESS STEEL (SUS304)	
24	ENSAT FOR BODY	2	STAINLESS STEEL (SUS303)	Used for Size 65mm
19	CONICAL SPRING WASHER (A)	8Sets	STAINLESS STEEL (SUS304)	Used for PVDF Body
18	BOLT·NUT (A)	4Sets	STAINLESS STEEL (SUS304)	
11	GAUGE COVER	1	PC	
6	COMPRESSOR	1	PVDF	
5	CUSHION COVER	1	<input type="checkbox"/> Nothing <input type="checkbox"/> PVDF	Used for PTFE Diaphragm
4	CUSHION	1	EPDM	
3b	DIAPHRAGM PIN	1	STAINLESS STEEL (SUS304)	
3a	INSERTED METAL OF DIAPHRAGM	1	STAINLESS STEEL (SUS304)	
3	DIAPHRAGM	1	<input type="checkbox"/> EPDM <input type="checkbox"/> PTFE <input type="checkbox"/> Others ( )	
1a	INSERTED NUT	4	COPPER ALLOY (C3604) STAINLESS STEEL (SUS304)	Used for PVC,C-PVC,PP Body Used for PVDF Body
1	BODY	1	<input type="checkbox"/> PVC <input type="checkbox"/> C-PVC <input type="checkbox"/> PP <input type="checkbox"/> PVDF	

ITEM	DESCRIPTION	QTY.	MATERIAL	REMARKS
	DIAPHRAGM VALVE (TYPE 14) PNEUMATIC ACTUATED MODEL TYPE AV ASS'Y AIR TO SHUT DIN PN10 : FLANGED END 65mm (2½") ~ 100mm (4")			
DRAWN	E.Emmei	DATE	SCALE	
CHECKED	H.Kawano	MAR.1.2023		~
APPROVED	K.Koushou	DRAWING No.		
		D1-AA205DE		△
SPECIAL ORDER No.	ASAHI YUKIZAI CORPORATION			