

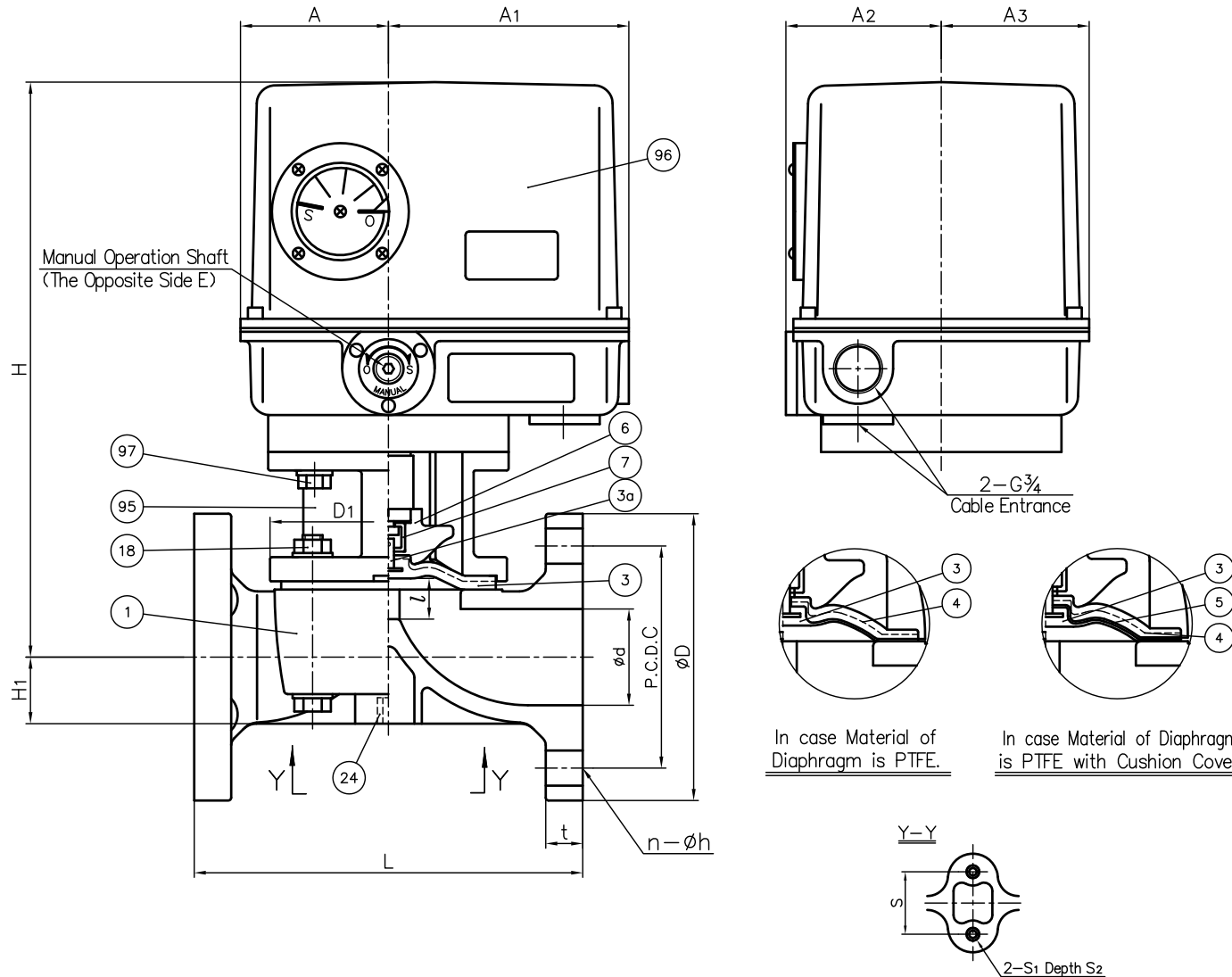
DIMENSIONS TABLE

Unit : inch

Nominal Size	d	ANSI Class 150				D1	L		t	l (LIFT)	H	H1	A	A1	A2	A3	S	S1	S2	E	Actuator Type	
		D	C	n	h		GRINNEL STANDARD	AV STANDARD														
1/2"	15mm	0.63	3.50	2.38	4	0.62	2.13x2.60	4.25	4.33	0.43	0.39	11.18	0.77	3.15	5.12	3.31	3.15	0.98	M5	0.39	0.20	ED-11H
3/4"	20	0.79	3.88	2.75	4	0.62	2.13x2.60	5.88	4.72	0.51	0.39	11.26	0.69	3.15	5.12	3.31	3.15	0.98	M5	0.39	0.20	ED-11H
1"	25	0.98	4.25	3.12	4	0.62	2.64x3.15	5.88	5.12	0.59	0.47	11.46	0.73	3.15	5.12	3.31	3.15	0.98	M5	0.39	0.20	ED-11H
1 1/4"	32	1.26	4.62	3.50	4	0.62	2.64x3.15	6.38	-	0.63	0.47	11.59	0.89	3.15	5.12	3.31	3.15	0.98	M5	0.39	0.20	ED-11H
1 1/2"	40	1.57	5.00	3.88	4	0.62	4.33x4.33	6.94	7.09	0.63	0.83	11.90	1.08	3.15	5.12	3.31	3.15	1.77	M6	0.55	0.20	ED-11H
2"	50	2.05	6.00	4.75	4	0.75	5.04x5.04	7.94	8.27	0.79	0.98	12.25	1.42	3.15	5.12	3.31	3.15	1.77	M6	0.55	0.20	ED-11H

NOTE.

- Diaphragms except EPDM and PTFE are available in FKM, VIFLON-C (FKM-C), VIFLON-F (FKM-F), CSM and NBR when required.
- The shape and appearance of assembly differ a little with nominal size compared to this drawing.



97	BOLT&WASHER (D)	4-sets	STAINLESS STEEL (SUS304)	
96	ACTUATOR	1	CAST ALUMINUM ALLOY (AC2A etc.)	Melamin Baking Coat.
95	BONNET	1	CAST ALUMINUM ALLOY (AC4A)	Epoxy Coat.
24	ENSAT FOR BODY	2	STAINLESS STEEL (SUS303)	
18	BOLT&NUT (A)	4-sets	STAINLESS STEEL (SUS304)	
7	JOINT	1	STAINLESS STEEL (SUS304)	
6	COMPRESSOR	1	PVDF	
5	CUSHION COVER	1	□Nothing □PVDF	Used for PTFE Diaphragm
4	CUSHION	1	EPDM	
3a	INSERTED METAL OF DIAPHRAGM	1	STAINLESS STEEL (SUS304)	
3	DIAPHRAGM	1	□EPDM □PTFE □Others ( )	
1	BODY	1	□PVC □C-PVC □PP □PVDF	

No.	DESCRIPTION	QTY.	MATERIAL	REMARKS
ITEM	DIAPHRAGM VALVE (TYPE14) ELECTRIC MODEL TYPE H ASS'Y ANSI Class 150 : FLANGED END 1/2" (15mm) ~ 2" (50mm) □GRINNEL STANDARD, □AV STANDARD			
DRAWN	E.Emmei	DATE	SCALE	
CHECKED	H.Kawano	MAY.1.2023		
APPROVED	K.Koushou	DRAWING No.		
SPECIAL ORDER No.	D1-AE005AE			
<b>ASAHI YUKIZAI CORPORATION</b>				