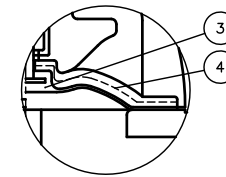
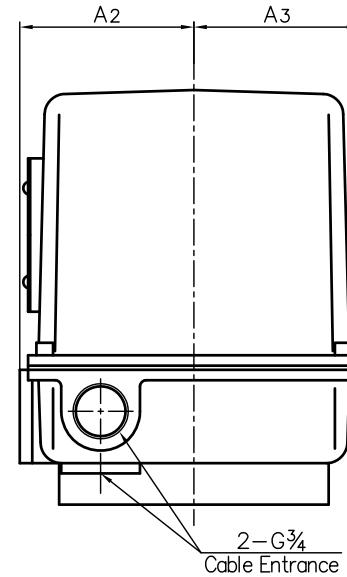
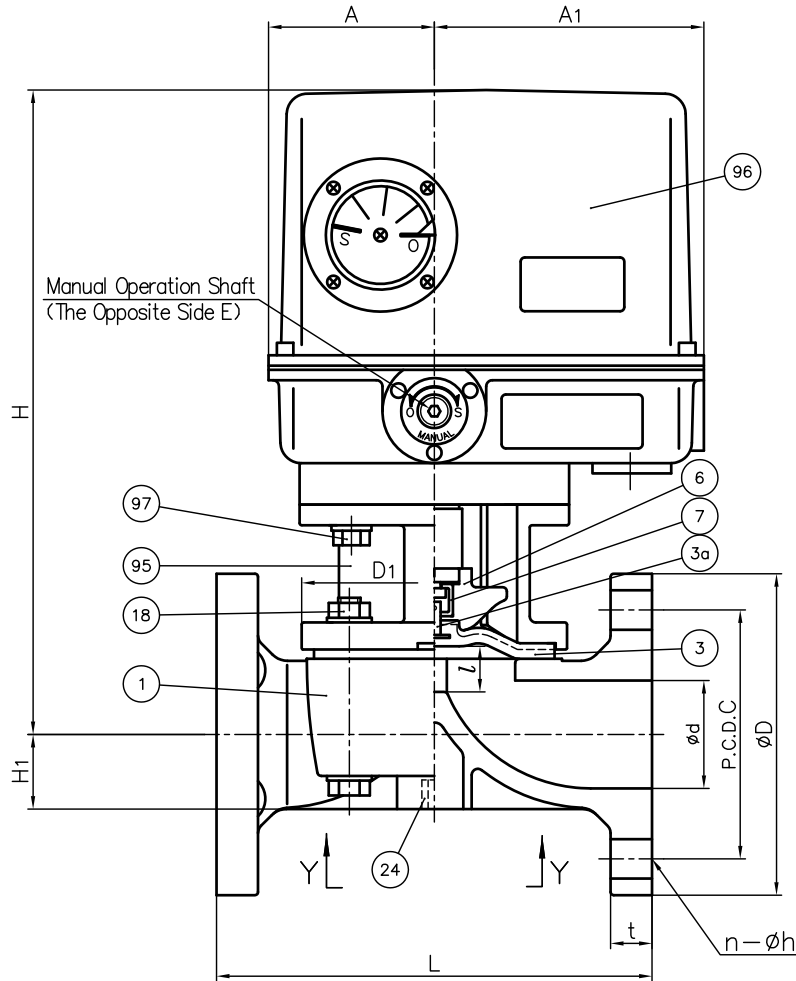


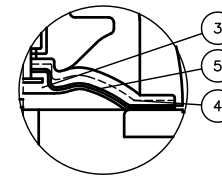
DIMENSIONS TABLE

Unit : mm

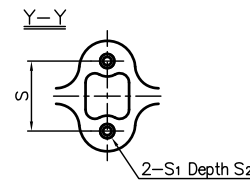
NOMINAL SIZE	d	ANSI Class 150				D1	L		t	l (LIFT)	H	H1	A	A1	A2	A3	S	S1	S2	E	ACTUATOR MODEL
		D	C	n	h		GRINNEL STANDARD	AV STANDARD													
15mm ½"	16	89	60.5	4	16	54×66	108	110	11	10	284	19.5	80	130	84	80	25	M5	10	5	ED-11H
20 ¾"	20	98	70.0	4	16	54×66	149	120	13	10	286	17.5	80	130	84	80	25	M5	10	5	ED-11H
25 1"	25	108	79.5	4	16	67×80	149	130	15	12	291	18.5	80	130	84	80	25	M5	10	5	ED-11H
32 1¼"	32	117	89.0	4	16	67×80	162	-	16	12	294.5	22.5	80	130	84	80	25	M5	10	5	ED-11H
40 1½"	40	127	98.5	4	16	110×110	176	180	16	21	302.2	27.5	80	130	84	80	45	M6	14	5	ED-11H
50 2"	52	152	120.5	4	19	128×128	201.6	210	20	25	311.2	36	80	130	84	80	45	M6	14	5	ED-11H



In case Material of Diaphragm is PTFE.



In case Material of Diaphragm is PTFE with Cushion Cover.



NOTE.

- Diaphragms except EPDM and PTFE are available in FKM, VIFLON-C (FKM-C), VIFLON-F (FKM-F), CSM and NBR when required.
- The shape and appearance of assembly differ a little with nominal size compared to this drawing.

97	BOLT&WASHER (D)	4sets	STAINLESS STEEL (SUS304)	
96	ACTUATOR	1	CAST ALUMINUM ALLOY (AC2A etc.)	Melamin Baking Coat.
95	BONNET	1	CAST ALUMINUM ALLOY (AC4A)	Epoxy Coat.
24	ENSAT FOR BODY	2	STAINLESS STEEL (SUS303)	
18	BOLT&NUT (A)	4sets	STAINLESS STEEL (SUS304)	
7	JOINT	1	STAINLESS STEEL (SUS304)	
6	COMPRESSOR	1	PVDF	
5	CUSHION COVER	1	□Nothing □PVDF	Used for PTFE Diaphragm
4	CUSHION	1	EPDM	
3a	INSERTED METAL OF DIAPHRAGM	1	STAINLESS STEEL (SUS304)	
3	DIAPHRAGM	1	□EPDM □PTFE □Others ()	
1	BODY	1	□PVC □C-PVC □PP □PVDF	
No.	DESCRIPTION	QTY.	MATERIAL	REMARKS

ITEM	DIAPHRAGM VALVE (TYPE14) ELECTRIC MODEL TYPE H ASS'Y ANSI Class 150 : FLANGED END 15mm (½") ~ 50mm (2")		
DRAWN	E.Emmei	DATE	SCALE
CHECKED	H.Kawano	MAY.1.2023	~
APPROVED	K.Koushou	DRAWING No.	
SPECIAL ORDER No.	D1-AE005AEm		
ASAHI YUKIZAI CORPORATION			