

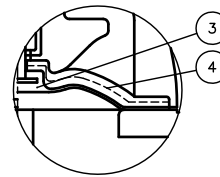
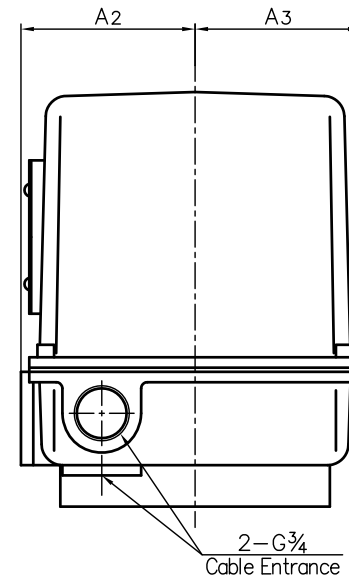
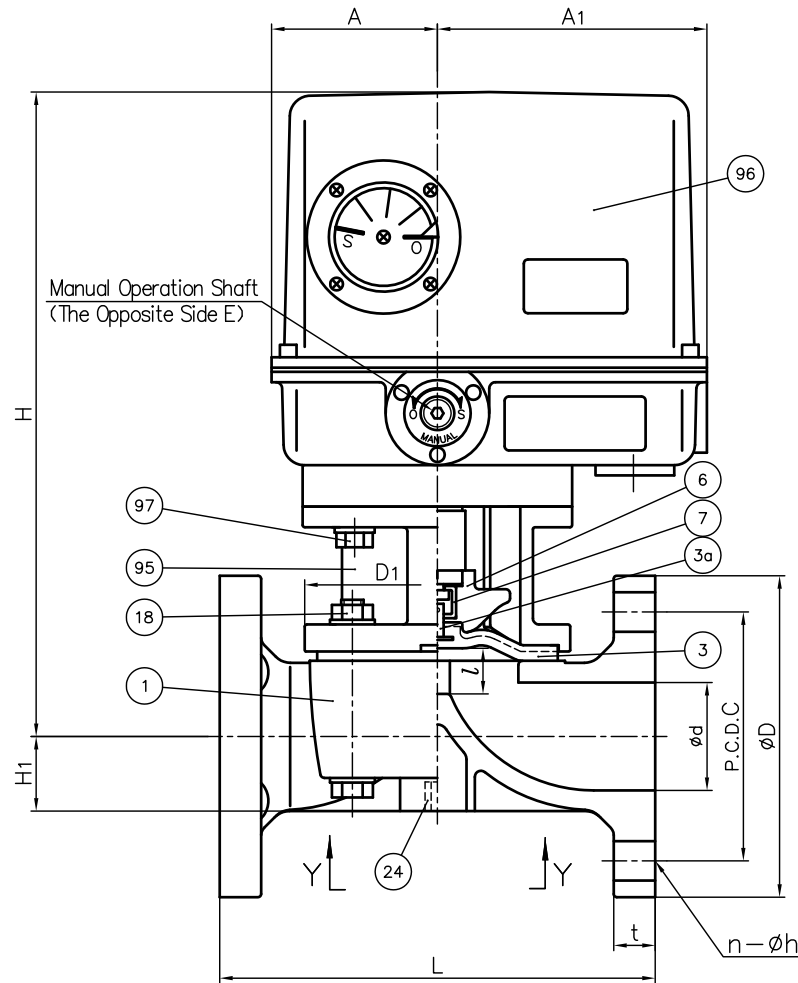
DIMENSIONS TABLE

Unit : mm

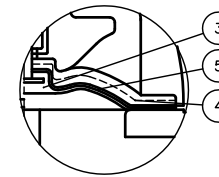
Nominal Size	d	DIN PN10					D ₁	L	t	l (LIFT)	H	H ₁	A	A ₁	A ₂	A ₃	S	S ₁	S ₂	E	Actuator Type
		D	C	n	h																
15mm ½"	16	95	65	4	14	54×66	130	12	10	284	19.5	80	130	84	80	25	M5	10	5	ED-11H	
20 ¾"	20	105	75	4	14	54×66	150	13	10	286	17.5	80	130	84	80	25	M5	10	5	ED-11H	
25 1"	25	115	85	4	14	67×80	160	13	12	291	18.5	80	130	84	80	25	M5	10	5	ED-11H	
32 1¼"	32	140	100	4	18	67×80	180	16	12	294.5	22.5	80	130	84	80	25	M5	10	5	ED-11H	
40 1½"	40	150	110	4	18	110×110	200	20	21	302.2	27.5	80	130	84	80	45	M6	14	5	ED-11H	
50 2"	52	165	125	4	18	128×128	230	22	25	311.2	36	80	130	84	80	45	M6	14	5	ED-11H	

NOTE.

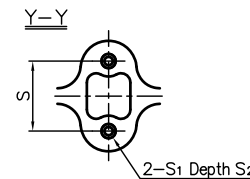
- Diaphragms except EPDM and PTFE are available in FKM, VIFLON-C (FKM-C), VIFLON-F (FKM-F), CSM and NBR when required.
- The shape and appearance of assembly differ a little with nominal size compared to this drawing.



In case Material of Diaphragm is PTFE.



In case Material of Diaphragm is PTFE with Cushion Cover.



97	BOLT&WASHER (D)	4sets	STAINLESS STEEL (SUS304)	
96	ACTUATOR	1	CAST ALUMINIUM ALLOY (AC2A etc.)	Melamin Baking Coat.
95	BONNET	1	CAST ALUMINIUM ALLOY (AC4A)	Epoxy Coat.
24	ENSAT FOR BODY	2	STAINLESS STEEL (SUS303)	
18	BOLT&NUT (A)	4sets	STAINLESS STEEL (SUS304)	
7	JOINT	1	STAINLESS STEEL (SUS304)	
6	COMPRESSOR	1	PVDF	
5	CUSHION COVER	1	□Nothing □PVDF	Used for PTFE Diaphragm
4	CUSHION	1	EPDM	
3a	INSERTED METAL OF DIAPHRAGM	1	STAINLESS STEEL (SUS304)	
3	DIAPHRAGM	1	□EPDM □PTFE □Others ()	
1	BODY	1	□PVC □C-PVC □PP □PVDF	
No.	DESCRIPTION	QTY.	MATERIAL	REMARKS

ITEM	DIAPHRAGM VALVE (TYPE14) ELECTRIC MODEL TYPE H ASS'Y DIN PN10 : FLANGED END 15mm (½") ~ 50mm (2")			
DRAWN	E.Emmei	DATE	SCALE	
CHECKED	H.Kawano	MAY.1.2023		
APPROVED	K.Koushou	DRAWING No.		
		D1-AE005DE		△
SPECIAL ORDER No.	ASAHI YUKIZAI CORPORATION			