

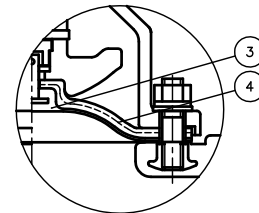
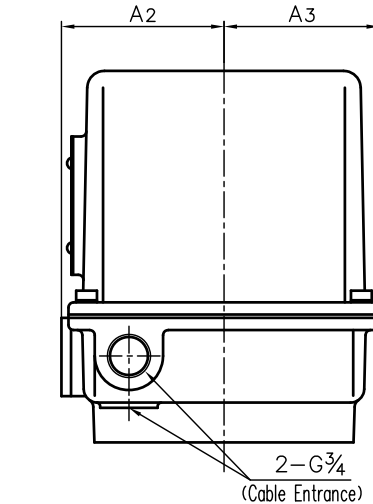
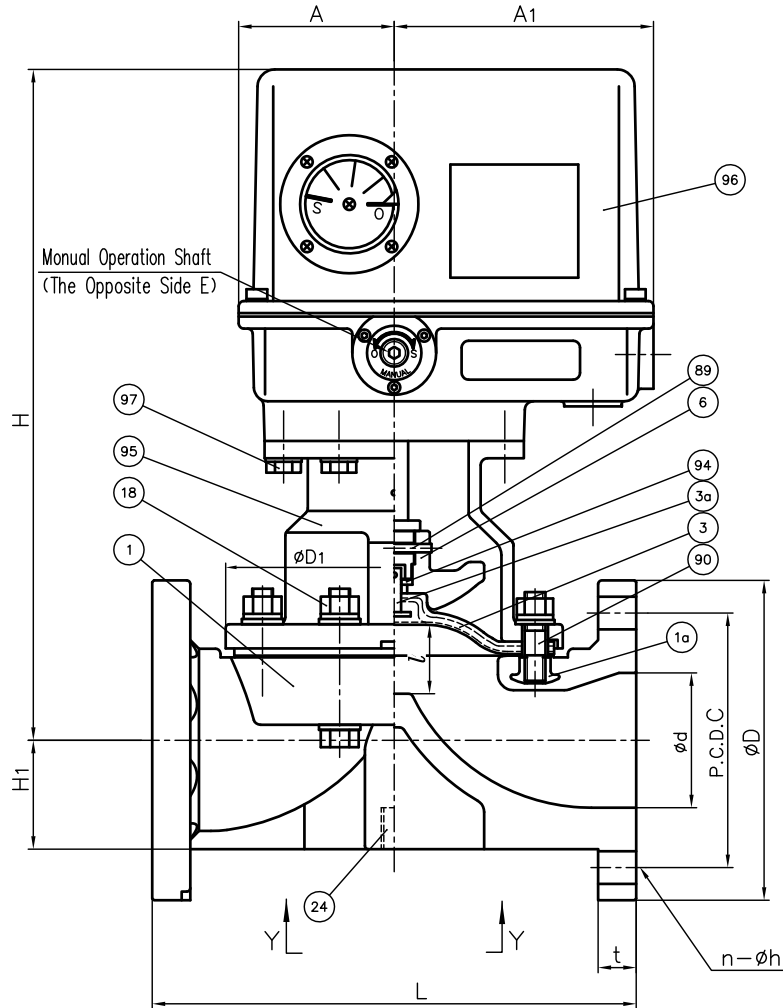
DIMENSIONS TABLE

UNIT : mm

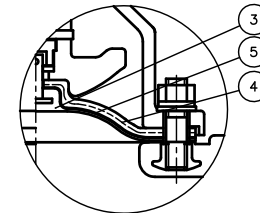
NOMINAL SIZE	d	DIN PN10				D1	l (LIFT)	L	t		H	H1	A	A1	A2	A3	S	S1	S2	E	ACTUATOR MODEL	
		D	C	n	h				PVC C-PVC	PP PVDF												
65mm 2½"	67	185	145	4	18	175	34	290	22	22	371	61	90	150	94	90	85	M8	15	5	ED-21H	
80	3	78	200	160	8	18	199	42	310	24	24	388	63	90	150	94	90	100	M12	22	5	ED-21H
100	4	100	220	180	8	18	239	50	350	24	26	418	78	90	150	94	90	120	M12	22	5	ED-21H

NOTE.

- Diaphragms except EPDM and PTFE are available in FKM, VIFLON-C (FKM-C), VIFLON-F (FKM-F), CSM and NBR when required.
- The shape and appearance of assembly differ a little with nominal size compared to this drawing.

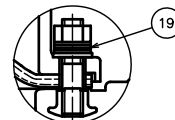


In case material of diaphragm is PTFE

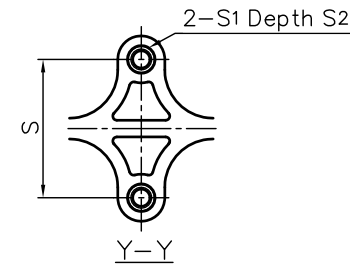


In case material of diaphragm is PTFE with cushion cover

In Case of PVDF Body



Part "B"



No.	DESCRIPTION	QTY.	MATERIAL	REMARKS
1a	INSERTED NUT	4	COPPER ALLOY (C3604) STAINLESS STEEL (SUS304)	Used for PVC,C-PVC,PP Body Used for PVDF Body
97	BOLT · WASHER (D)	6Sets	STAINLESS STEEL (SUS304)	
96	ACTUATOR	1	CAST ALUMINUM ALLOY (AC2A etc.)	Melamin Baking Coat
95	BONNET	1	CAST ALUMINUM ALLOY (AC4A)	Epoxy Coat
94	METAL OF COMPRESSOR	1	STAINLESS STEEL (SUS304)	
90	STUD BOLT · NUT	4Sets	STAINLESS STEEL (SUS304)	
89	COMPRESSOR PIN	1	STAINLESS STEEL (SUS304)	
24	ENSAT FOR BODY	2	STAINLESS STEEL (SUS303)	
19	CONICAL SPRING WASHER (A)	8Sets	STAINLESS STEEL (SUS304)	Used for PVDF Body
18	BOLT · NUT (A)	4Sets	STAINLESS STEEL (SUS304)	
6	COMPRESSOR	1	PVDF	
5	CUSHION COVER	1	<input type="checkbox"/> Nothing <input type="checkbox"/> PVDF	Used for PTFE Diaphragm
4	CUSHION	1	EPDM	
3a	INSERTED METAL OF DIAPHRAGM	1	STAINLESS STEEL (SUS304)	
3	DIAPHRAGM	1	<input type="checkbox"/> EPDM <input type="checkbox"/> PTFE <input type="checkbox"/> Others ( )	
1	BODY	1	<input type="checkbox"/> PVC <input type="checkbox"/> C-PVC <input type="checkbox"/> PP <input type="checkbox"/> PVDF	

ITEM	DIAPHRAGM VALVE (TYPE14) ELECTRIC MODEL TYPE H ASS'Y DIN PN10 : FLANGED END 65mm (2½") ~ 100mm (4")		
DRAWN	E.Emmei	DATE	SCALE
CHECKED	H.Kawano	MAY.1.2023	
APPROVED	K.Koushou	DRAWING No. D1-AE006DE	
SPECIAL ORDER No.	ASAHI YUKIZAI CORPORATION		