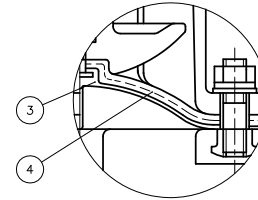
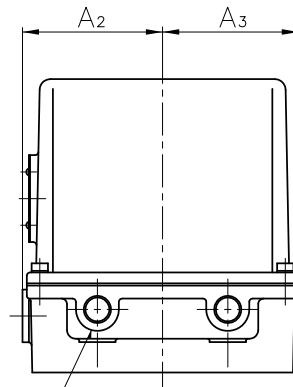
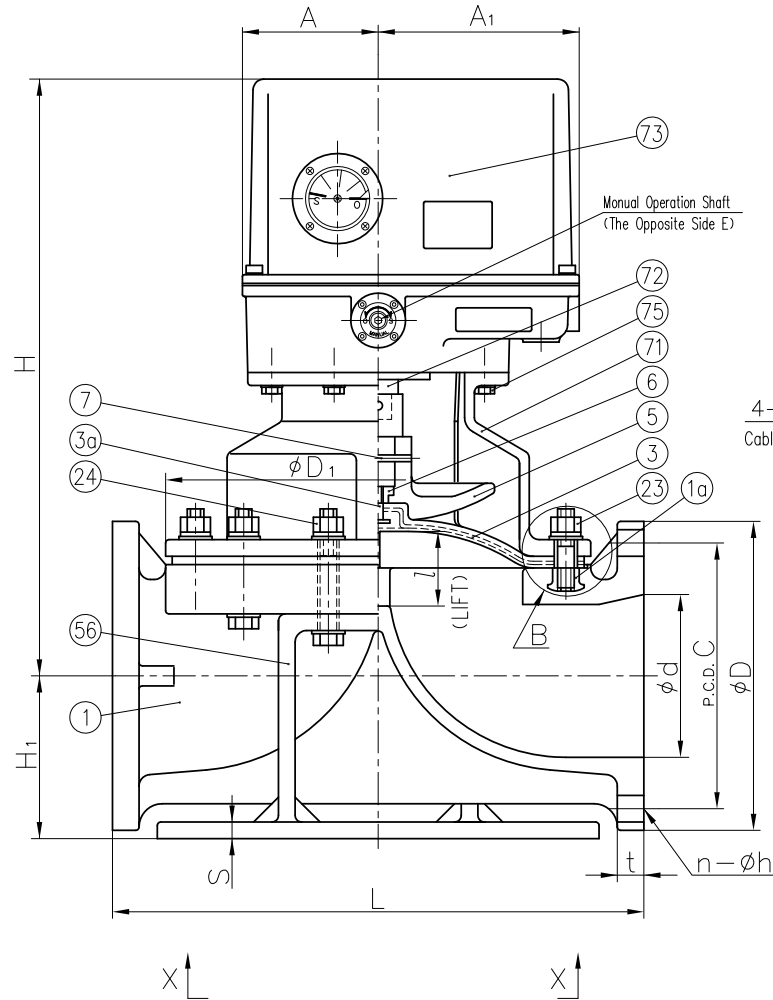
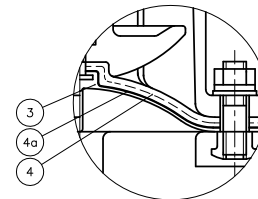


NOTE.

- Diaphragms except EPDM and PTFE are available in FKM, VIFLON-C (FKM-C), VIFLON-F (FKM-F), CSM and NBR when required.
- The shape and appearance of assembly differ a little with nominal size compared to this drawing.

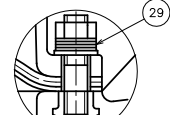


In case material of diaphragm is PTFE

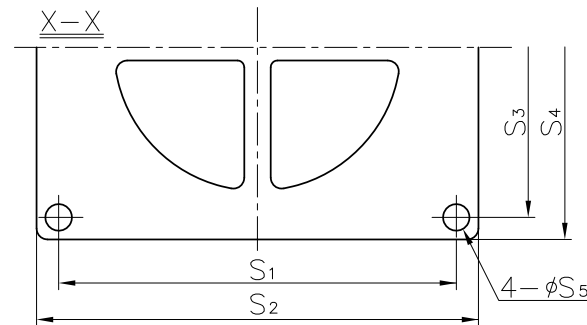


In case material of diaphragm is PTFE with cushion cover

In Case of PVDF Body



"B" Part



DIMENSIONS TABLE

UNIT : mm

NOMINAL SIZE	ANSI Class 150						t		D ₁	l	H	H ₁	A	A ₁	A ₂	A ₃	E	S	S ₁	S ₂	S ₃	S ₄	S ₅	ACTUATOR MODEL	
	d	D	C	n	h	L	PVC	PP PVDF																	
125mm 5"	125	254	216	8	22	410	22	24	320	60	510	143	125	185	129	125	6	15	310	350	280	320	23	ED-30H	
150	6	148	279	241.5	8	22	480	24	27	385	70	550	148	125	185	129	125	6	16	360	400	310	350	23	ED-30H

No.	DESCRIPTION	QTY.	MATERIAL	REMARKS
1a	INSERTED NUT	4	COPPER ALLOY (C3604) STAINLESS STEEL (SUS304)	Used for PVC,C-PVC,PP Body Used for PVDF Body
75	BOLT (B)	8set	STAINLESS STEEL (SUS304)	
73	ACTUATOR	1	CAST ALUMINIUM ALLOY (AC2A etc.)	Melamin Baking Coat
72	STEM (B)	1	STAINLESS STEEL (SUS403)	
71	BONNET (B)	1	CAST ALUMINIUM ALLOY (AC4C)	Epoxy Coat.
56	STAND (A)	1	CAST ALUMINIUM ALLOY (AC4C)	Epoxy Coat.
29	CONICAL SPRING WASHER	-	STAINLESS STEEL (SUS304)	Used for PVDF Body
24	BOLT · NUT	-	STAINLESS STEEL (SUS304)	
23	STUD BOLT · NUT	4set	STAINLESS STEEL (SUS304)	
7	COMPRESSOR PIN	1	STAINLESS STEEL (SUS304)	
6	COMPRESSOR NUT	1	COPPER ALLOY (C3604)	
5	COMPRESSOR	1	PVDF	
4a	CUSHION COVER	1	<input type="checkbox"/> Nothing (standard) <input type="checkbox"/> PVDF	Used for PTFE Diaphragm
4	CUSHION	1	<input type="checkbox"/> EPDM <input type="checkbox"/> Others ()	Used for PTFE Diaphragm
3a	INSERTED METAL OF DIAPHRAGM (A)	1	STAINLESS STEEL (SUS304)	
3	DIAPHRAGM	1	<input type="checkbox"/> EPDM <input type="checkbox"/> PTFE <input type="checkbox"/> Others ()	
1	BODY	1	<input type="checkbox"/> PVC <input type="checkbox"/> PP <input type="checkbox"/> PVDF	

ITEM	DIAPHRAGM VALVE (TYPE 15) ELECTRIC ACTUATED H TYPE ASS'Y ANSI Class 150 125mm (5"), 150mm (6")		
DRAWN	M.Iwakiri	DATE	SCALE
CHECKED	H.Kawano	AUG.20.2019	
APPROVED	K.Koushou	DRAWING No. D5-AE001AEm	
SPECIAL ORDER No.	ASAHI YUKIZAI CORPORATION		