

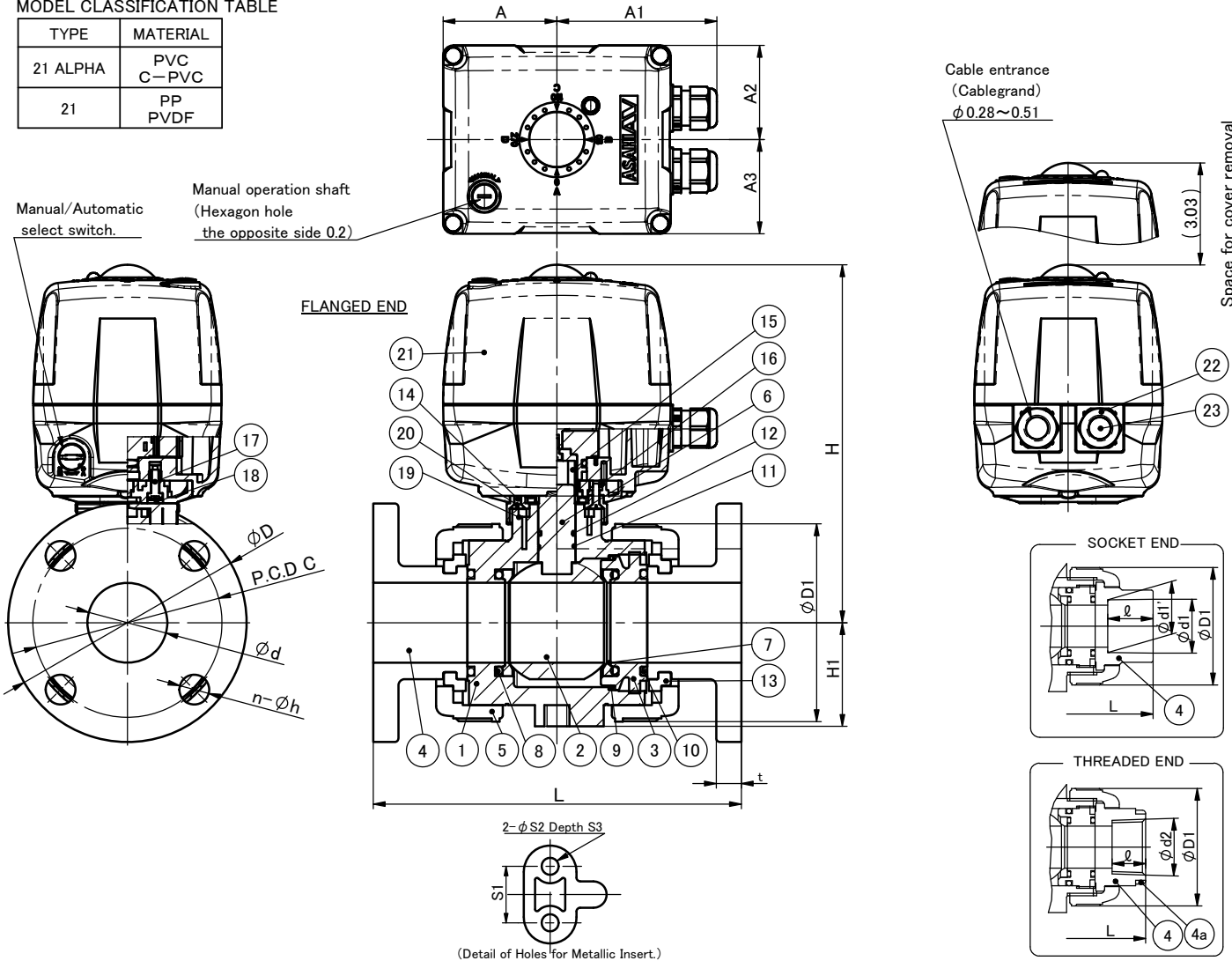
DIMENSION TABLE

Unit : inch

| NOMINAL SIZE | d    | FLANGED END    |      |      |   |      |      | SOCKET END (IPS) |       |       |          |      |      | THREADED END |      |                    | D1   | H    | H1   | A    | A1   | A2   | A3   | S1   | S2   | S3   | Actuator Type |           |         |          |
|--------------|------|----------------|------|------|---|------|------|------------------|-------|-------|----------|------|------|--------------|------|--------------------|------|------|------|------|------|------|------|------|------|------|---------------|-----------|---------|----------|
|              |      | ANSI Class 150 |      |      |   |      |      | PVC, C-PVC       |       |       | PP, PVDF |      |      | L            |      |                    |      |      |      |      |      |      |      |      |      |      |               |           |         |          |
|              |      | D              | C    | n    | h | L    | t    | ASTM SCH80       |       |       | d1       | ℓ    | L    |              | d2   | ℓ                  |      |      |      |      |      |      |      |      |      |      |               | PVC C-PVC | PP PVDF |          |
| 1/2"         | 15mm | 0.59           | 3.50 | 2.38 | 4 | 0.62 | 5.63 | 0.47             | 0.848 | 0.836 | 0.875    | 4.45 | 0.83 | 0.87         | 4.41 | 1/2 - 14 NPT       | 0.59 | 4.02 | 3.94 | 1.89 | 7.32 | 1.14 | 2.85 | 4.02 | 2.36 | 2.36 | 0.75          | 0.29      | 0.43    | AV-Z-025 |
| 3/4          | 20   | 0.79           | 3.88 | 2.75 | 4 | 0.62 | 6.77 | 0.55             | 1.058 | 1.046 | 1.000    | 5.08 | 1.03 | 1.00         | 5.00 | 3/4 - 14 NPT       | 0.67 | 4.72 | 4.69 | 2.36 | 7.56 | 1.38 | 2.85 | 4.02 | 2.36 | 2.36 | 0.75          | 0.29      | 0.43    |          |
| 1            | 25   | 0.98           | 4.25 | 3.12 | 4 | 0.62 | 7.36 | 0.55             | 1.325 | 1.310 | 1.125    | 5.71 | 1.30 | 1.13         | 5.63 | 1 - 11 1/2 NPT     | 0.79 | 5.16 | 5.12 | 2.76 | 7.83 | 1.54 | 2.85 | 4.02 | 2.36 | 2.36 | 0.75          | 0.29      | 0.43    |          |
| 1 1/4        | 32   | 1.26           | 4.62 | 3.50 | 4 | 0.62 | 7.48 | 0.63             | 1.670 | 1.655 | 1.250    | 6.46 | 1.65 | 1.25         | 6.30 | 1 1/4 - 11 1/2 NPT | 0.87 | 5.91 | 5.75 | 3.23 | 8.19 | 1.85 | 2.85 | 4.02 | 2.36 | 2.36 | 1.18          | 0.35      | 0.59    |          |
| 1 1/2        | 40   | 1.57           | 5.00 | 3.88 | 4 | 0.62 | 8.35 | 0.63             | 1.912 | 1.894 | 1.374    | 7.24 | 1.89 | 1.37         | 7.05 | 1 1/4 - 11 1/2 NPT | 0.98 | 6.42 | 6.30 | 3.94 | 8.52 | 2.17 | 2.85 | 4.02 | 2.36 | 2.36 | 1.18          | 0.35      | 0.59    |          |
| 2            | 50   | 2.01           | 6.00 | 4.75 | 4 | 0.75 | 9.21 | 0.63             | 2.387 | 2.369 | 1.500    | 8.23 | 2.36 | 1.50         | 8.03 | 2 - 11 1/2 NPT     | 1.10 | 7.76 | 7.64 | 4.96 | 8.98 | 2.60 | 2.85 | 4.02 | 2.36 | 2.36 | 1.18          | 0.35      | 0.59    |          |

MODEL CLASSIFICATION TABLE

| TYPE     | MATERIAL     |
|----------|--------------|
| 21 ALPHA | PVC<br>C-PVC |
| 21       | PP<br>PVDF   |



| No. | DESCRIPTION             | QTY. | MATERIAL   | REMARKS                                      |
|-----|-------------------------|------|--|--|
| 4a  | RING                    | 2    | SUS304   | Used for C-PVC Body. Threaded End: 1/2" - 1" |
| 23  | Cablegrand ceiling plug | 1    | CR   |  |
| 22  | Cablegrand              | 2    | PA   |  |
| 21  | ACTUATOR                | 1    | PC etc.  | AV-Z-025                                     |
| 20  | Bolt                    | 2    | SUS304   |  |
| 19  | Base Plate              | 1    | PPG  |  |
| 18  | Rubber Cap(M5)          | 4    | EPDM   |  |
| 17  | Bolt                    | 4    | SUS304   |  |
| 16  | Nut                     | 2    | SUS304   |  |
| 15  | Bush                    | 1    | SMF5040  |  |
| 14  | Connector Plate         | 1    | PC-GF  |  |
| 13  | Stop Ring               | 2    | PVDF   |  |
| 12  | O-ring                  | 1    | <input type="checkbox"/> EPDM<br><input type="checkbox"/> FKM<br><input type="checkbox"/> Others ( )                           |  |
| 11  | O-ring                  | 1    |  |  |
| 10  | O-ring                  | 2    |  |  |
| 9   | O-ring                  | 1    |  |  |
| 8   | O-ring                  | 2    |  |  |
| 7   | Seat                    | 2    | PTFE   |  |
| 6   | Stem                    | 1    | <input type="checkbox"/> PVC<br><input type="checkbox"/> C-PVC<br><input type="checkbox"/> PP<br><input type="checkbox"/> PVDF |  |
| 5   | Union nut               | 2    |  |  |
| 4   | End connector           | 2    |  |  |
| 3   | Carrier                 | 1    |  |  |
| 2   | Ball                    | 1    |  |  |
| 1   | Body                    | 1    |  |  |

|                                  |   |               |       |
|----------------------------------|---|---------------|-------|
| ITEM                             | BALL VALVE(TYPE21-21ALPHA) ELECTRIC MODEL Z TYPE ASS'Y<br>ANSI<br><input type="checkbox"/> FLANGED END, <input type="checkbox"/> SOCKET END, <input type="checkbox"/> THREADED END<br>1/2"(15mm) ~ 2"(50mm) |               |       |
| DRAWN                            | M. Iwakiri  | DATE          | SCALE |
| CHECKED                          | T. Iwamoto  | Jul. 20, 2021 | ~     |
| APPROVED                         | K. Koushou  | DRAWING No.   |       |
| SPECIAL ORDER No.                | IB-AE017AE  |               |       |
| <b>ASAHI YUKIZAI CORPORATION</b> |   |               |       |