

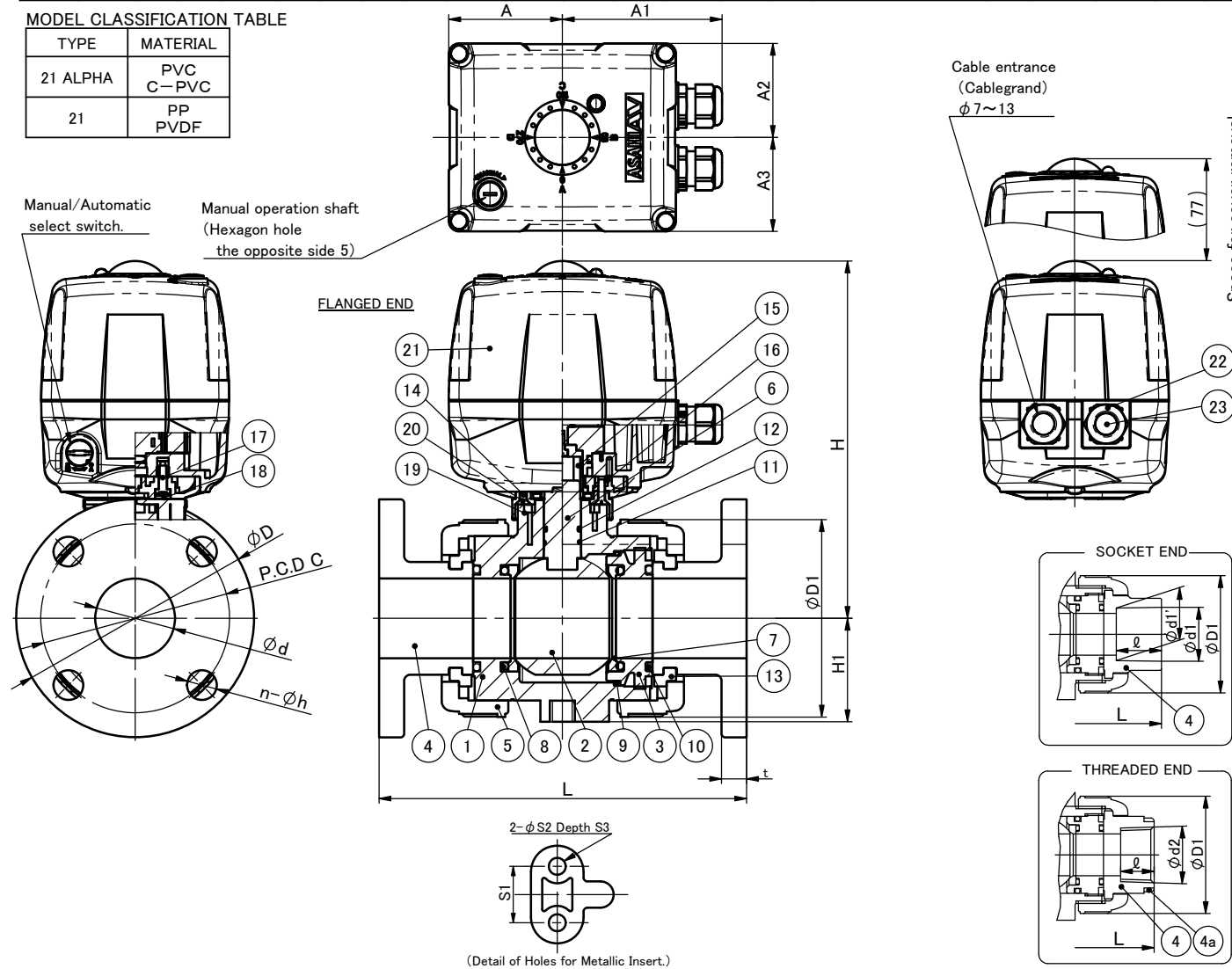
DIMENSION TABLE

Unit: mm

NOMINAL SIZE	d	FLANGED END						SOCKET END (IPS)						THREADED END						Actuator Type										
		ANSI Class 150						PVC, C-PVC			PP, PVDF			d2	ℓ	L		D1	H		H1	A	A1	A2	A3	S1	S2	S3		
		D	C	n	h	L	t	ASTM SCH80			L																			
								d1	d1'	ℓ	L	d1	ℓ			L	PVC C-PVC												PP PVDF	
15mm	1/2"	15	89	60.5	4	16	143	12	21.54	21.23	22.2	113	20.96	22.2	112	1/2 - 14 NPT	15	102	100	48	186	29	72.5	102	60	60	19	7.3	11	AV-Z-025
20	3/4	20	98	70	4	16	172	14	26.87	26.57	25.4	129	26.16	25.4	127	3/4 - 14 NPT	17	120	119	60	192	35	72.5	102	60	60	19	7.3	11	
25	1	25	108	79.5	4	16	187	14	33.65	33.27	28.6	145	33.02	28.6	143	1 - 11 1/2 NPT	20	131	130	70	199	39	72.5	102	60	60	19	7.3	11	
32	1 1/4	32	117	89	4	16	190	16	42.42	42.04	31.8	164	41.91	31.8	160	1 1/4 - 11 1/2 NPT	22	150	146	82	208	47	72.5	102	60	60	30	9	15	
40	1 1/2	40	127	98.5	4	16	212	16	48.56	48.11	34.9	184	48.01	34.9	179	1 1/2 - 11 1/2 NPT	25	163	160	100	216.5	55	72.5	102	60	60	30	9	15	
50	2	51	152	120.5	4	19	234	16	60.63	60.17	38.1	209	59.94	38.1	204	2 - 11 1/2 NPT	28	197	194	126	228	66	72.5	102	60	60	30	9	15	

MODEL CLASSIFICATION TABLE

TYPE	MATERIAL
21 ALPHA	PVC C-PVC
21	PP PVDF



No.	DESCRIPTION	QTY.	MATERIAL	REMARKS
4a	RING	2	SUS304	Used for C-PVC Body. Threaded End:15~25mm
23	Cablegrand ceiling plug	1	CR	
22	Cablegrand	2	PA	
21	ACTUATOR	1	PC etc.	AV-Z-025
20	Bolt	2	SUS304	
19	Base Plate	1	PPG	
18	Rubber Cap(M5)	4	EPDM	
17	Bolt	4	SUS304	
16	Nut	2	SUS304	
15	Bush	1	SMF5040	
14	Connector Plate	1	PC-GF	
13	Stop Ring	2	PVDF	
12	O-ring	1	<input type="checkbox"/> EPDM <input type="checkbox"/> FKM <input type="checkbox"/> Others ()	
11	O-ring	1		
10	O-ring	2		
9	O-ring	1		
8	O-ring	2		
7	Seat	2	PTFE	
6	Stem	1	<input type="checkbox"/> PVC <input type="checkbox"/> C-PVC <input type="checkbox"/> PP <input type="checkbox"/> PVDF	
5	Union nut	2		
4	End connector	2		
3	Carrier	1		
2	Ball	1		
1	Body	1		

ITEM	BALL VALVE(TYPE21·21ALPHA) ELECTRIC MODEL Z TYPE ASS'Y ANSI <input type="checkbox"/> FLANGED END, <input type="checkbox"/> SOCKET END, <input type="checkbox"/> THREADED END 15mm(1/2") ~ 50mm(2")		
DRAWN	M. Iwakiri	DATE	SCALE
CHECKED	T. Iwamoto	Jul. 20, 2021	~
APPROVED	K. Koushou	DRAWING No.	
SPECIAL ORDER No.	IB-AE017AEm		
ASAHI YUKIZAI CORPORATION			