

DIMENSIONS TABLE

NOMINAL SIZE	FLANGED END								SOCKET END (IPS)								THREADED END								
	ANSI Class 150				L				PVC, C-PVC				PP, PVDF				L								
	D	C	n	h	U-PVC	PP	PVDF	t	ASTM SCH40		ASTM SCH80		d <sub>1</sub>	l	PP	PVDF	d <sub>2</sub>	l	U-PVC	PP	PVDF				
					C-PVC				d <sub>1</sub>	d <sub>1</sub> '	l	L							C-PVC						
2 1/2" 65mm	7.00	5.50	4	0.75	10.20	10.12	10.08	0.71	—	—	—	—	2.889	2.868	1.750	9.45	2.880	1.752	9.37	9.33	1/2 - 8 NPT	1.26	8.46	8.39	8.35
3 80	7.50	6.00	4	0.75	12.05	12.01	11.89	0.71	—	—	—	—	3.516	3.492	1.875	11.14	3.480	1.874	11.10	10.98	3 - 8 NPT	1.38	10.43	10.39	10.28
4 100	9.00	7.50	8	0.75	14.72	14.72	14.53	0.71	4.518	4.491	2.000	13.86	—	—	—	—	4.480	2.252	14.37	14.13	4 - 8 NPT	1.77	14.25	14.25	14.06

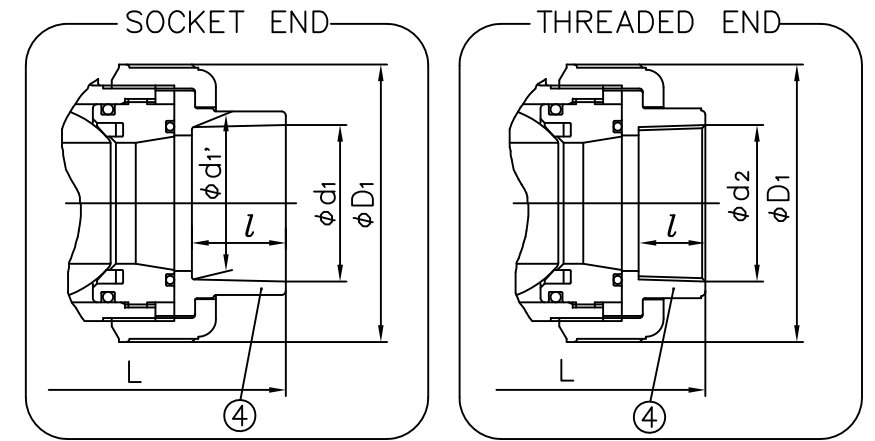
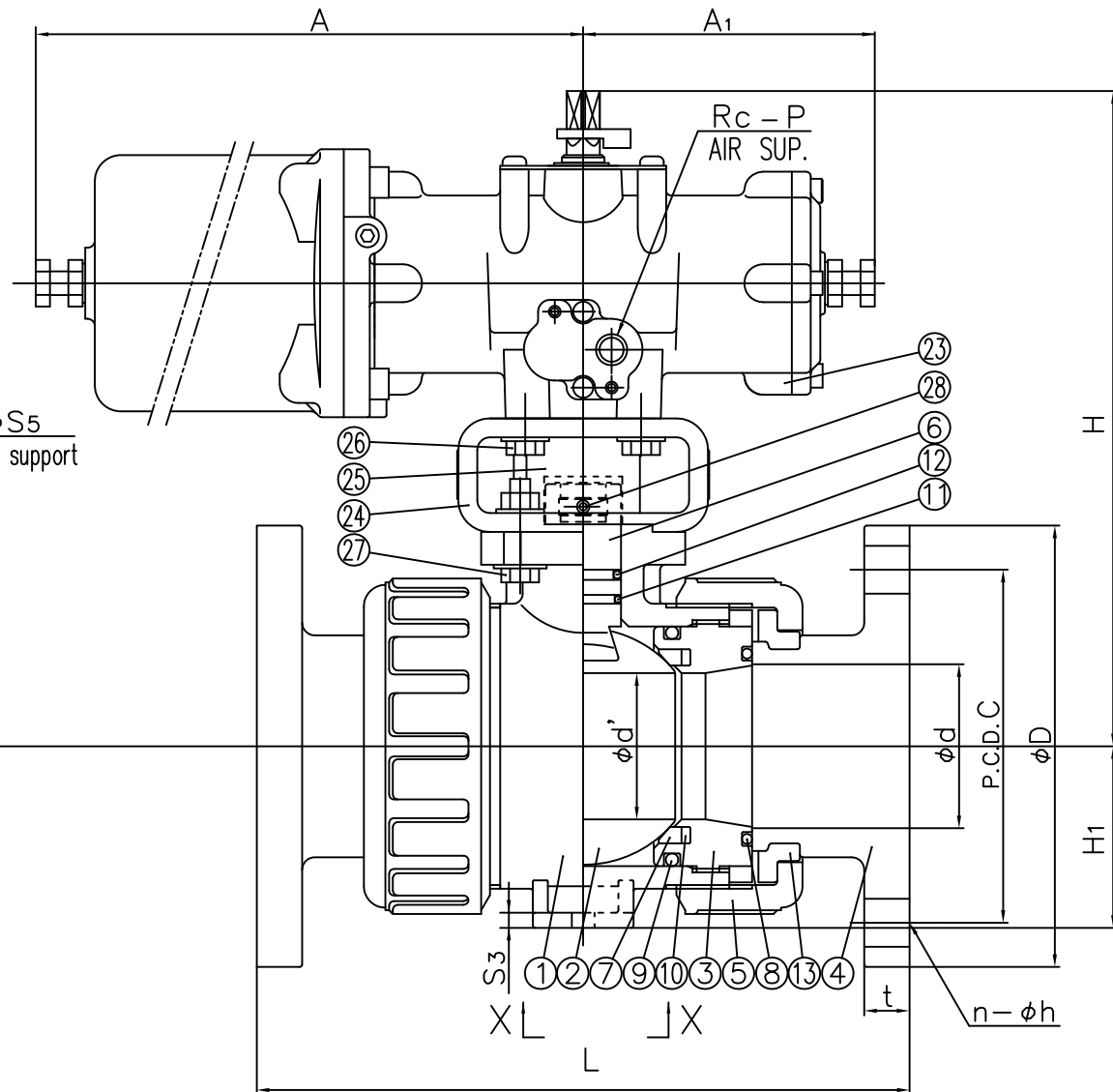
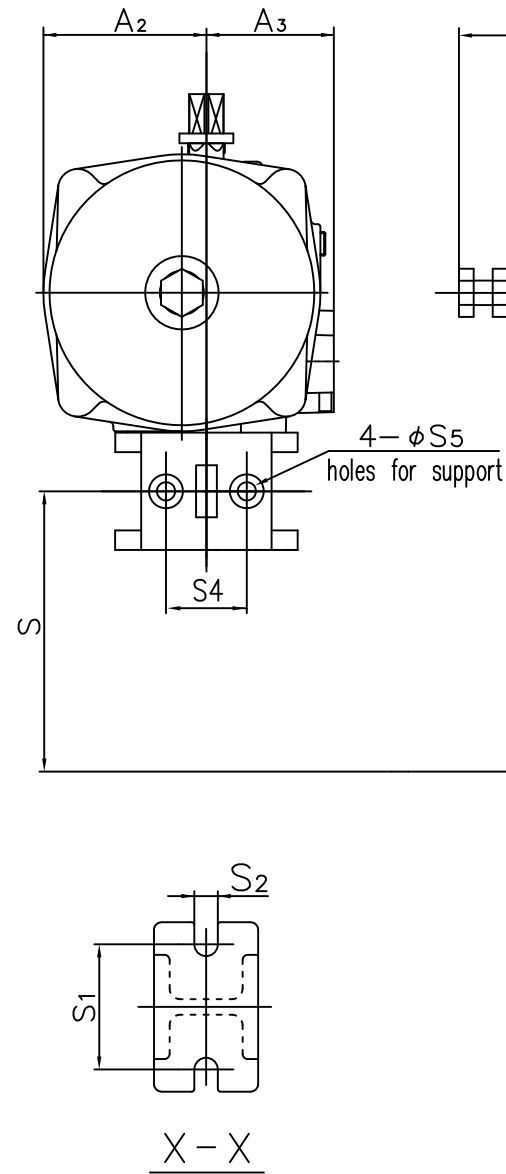
NOTES

- Operating pressure 0.4MPa G  
Air to open : Air-less shut  
Air to shut : Air-less open
- The shape and appearance of assembly differ a little with nominal size compared to this drawing.

UNIT: inch

NOMINAL SIZE	d	d'	D <sub>1</sub>	H	H <sub>1</sub>	A	A <sub>1</sub>	A <sub>2</sub>	A <sub>3</sub>	S	S <sub>1</sub>	S <sub>2</sub>	S <sub>3</sub>	S <sub>4</sub>	S <sub>5</sub>	P	ACTUATOR MODEL
2 1/2" 65mm	2.56	2.28	5.24	10.55	2.83	11.34	4.92	2.64	2.05	4.23	1.89	0.35	0.24	1.26	0.28	1/4	TA2A-063R
3 80	3.07	2.70	5.98	10.91	3.35	11.34	4.92	2.64	2.05	4.59	2.17	0.43	0.28	1.26	0.28	1/4	TA2A-063R
4 100	3.94	3.54	8.27	13.70	4.33	13.43	5.75	3.35	2.32	5.96	2.56	0.43	0.31	1.65	0.35	1/4	TA2A-080R

FLANGED END



No.	DESCRIPTION	No. REQ'D	MATERIAL	REMARKS
28	SCREW (B)	2	STAINLESS STEEL (SUS304)	
27	BOLT · NUT (B)	4 sets	STAINLESS STEEL (SUS304)	
26	BOLT (A)	4	STAINLESS STEEL (SUS304)	
25	JOINT	1	COPPER ALLOY (C3604)	
24	STAND	1	PPG	
23	ACTUATOR	1	ALUMINIUM ALLOYS DIE CASTINGS (ADC12) etc.	meramin baking coat.
13	STOP RING	2	PVDF	used for flanged end
12	O-RING (E)	1	□ EPDM	
11	O-RING (D)	1	□ FKM	
10	CUSHION	2	□ Others	
9	O-RING (B)	2	( )	
8	O-RING (A)	2	( )	
7	SEAT	2	PTFE	
6	STEM	1	□ PVC	
5	UNION NUT	2	□ C-PVC	
4	END CONNECTOR	2	□ PP	
3	CARRIER	2	□ PVDF	
2	BALL	1		
1	BODY	1		

BALL VALVE (TYPE 21) PNEUMATIC MODEL TA TYPE ASS'Y  
 □ AIR TO OPEN, □ AIR TO SHUT  
 ANSI : □ FLANGED END, □ SOCKET END, □ THREADED END  
 2 1/2" (65mm) ~ 4" (100mm)

DRAWN	E.Enmei	DATE	JUN.17.2004	SCALE	
CHECKED	T.Iwamoto	DRAWING No.			
APPROVED	T.Hayasi	IB-AA004AE			2
SPECIAL ORDER No.	ASAHI YUKIZAI CORPORATION				