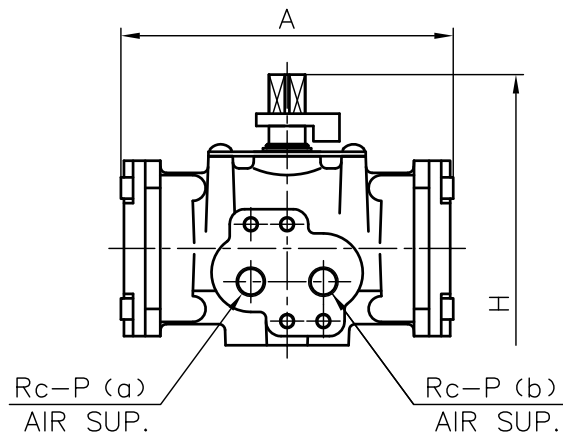
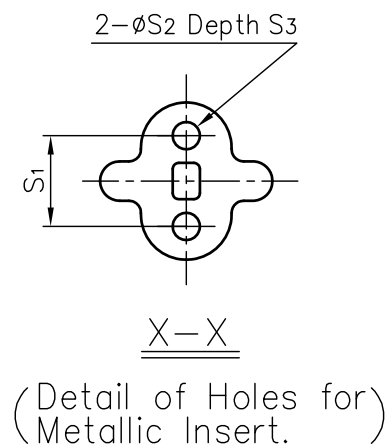
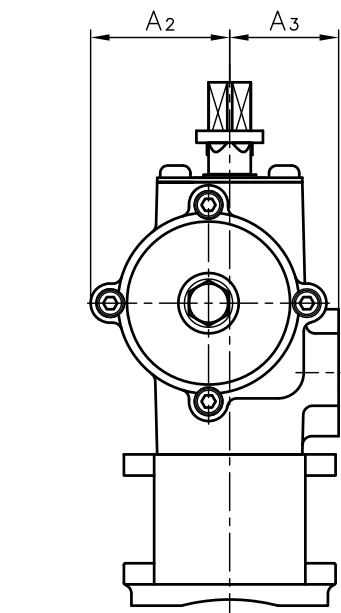


Appearance of TA2A-0402D



FLANGED END

40mm (1 1/2") · 50mm (2")



DIMENSIONS TABLE

NOMINAL SIZE	d	FLANGED END							SOCKET END (IPS)						THREADED END				
		ANSI Class 150					L	t	PVC, C-PVC			PP, PVDF			d2	l	L		
		D	C	n	h	ASTM SCH80			L	d1	l	L	PVC C-PVC	PP					
						d1											d1'	l	
15mm	1/2"	15	89	60.5	4	16	143	12	21.54	21.23	22.22	113	20.96	22.2	112	1/2 - 14NPT	15	102	100
20	3/4	20	98	70	4	16	172	14	26.87	26.57	25.40	129	26.16	25.4	127	3/4 - 14NPT	17	120	119
25	1	25	108	79.5	4	16	187	14	33.65	33.27	28.58	145	33.02	28.6	143	1 - 11 1/2 NPT	20	131	130
32	1 1/4	32	117	89	4	16	190	16	42.42	42.04	31.75	164	41.91	31.8	160	1 1/4 - 11 1/2 NPT	22	150	146
40	1 1/2	40	127	98.5	4	16	212	16	48.56	48.11	34.93	184	48.01	34.9	179	1 1/2 - 11 1/2 NPT	25	163	160
50	2	51	152	120.5	4	19	234	16	60.63	60.17	38.10	209	59.94	38.1	204	2 - 11 1/2 NPT	28	197	194

UNIT : mm

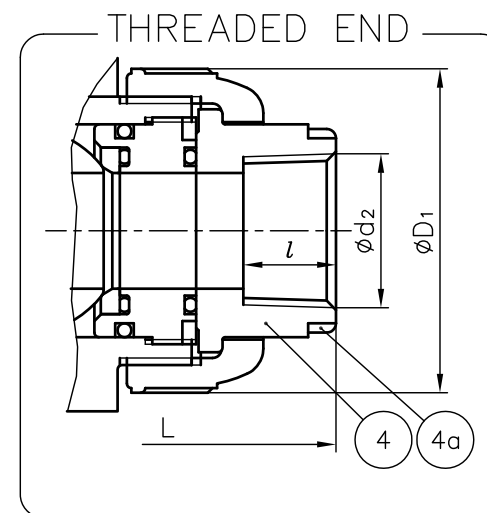
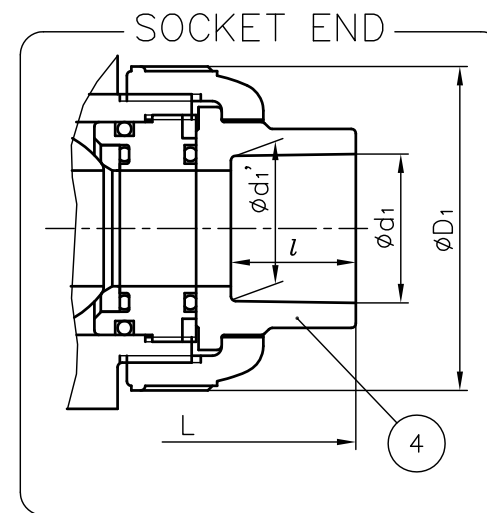
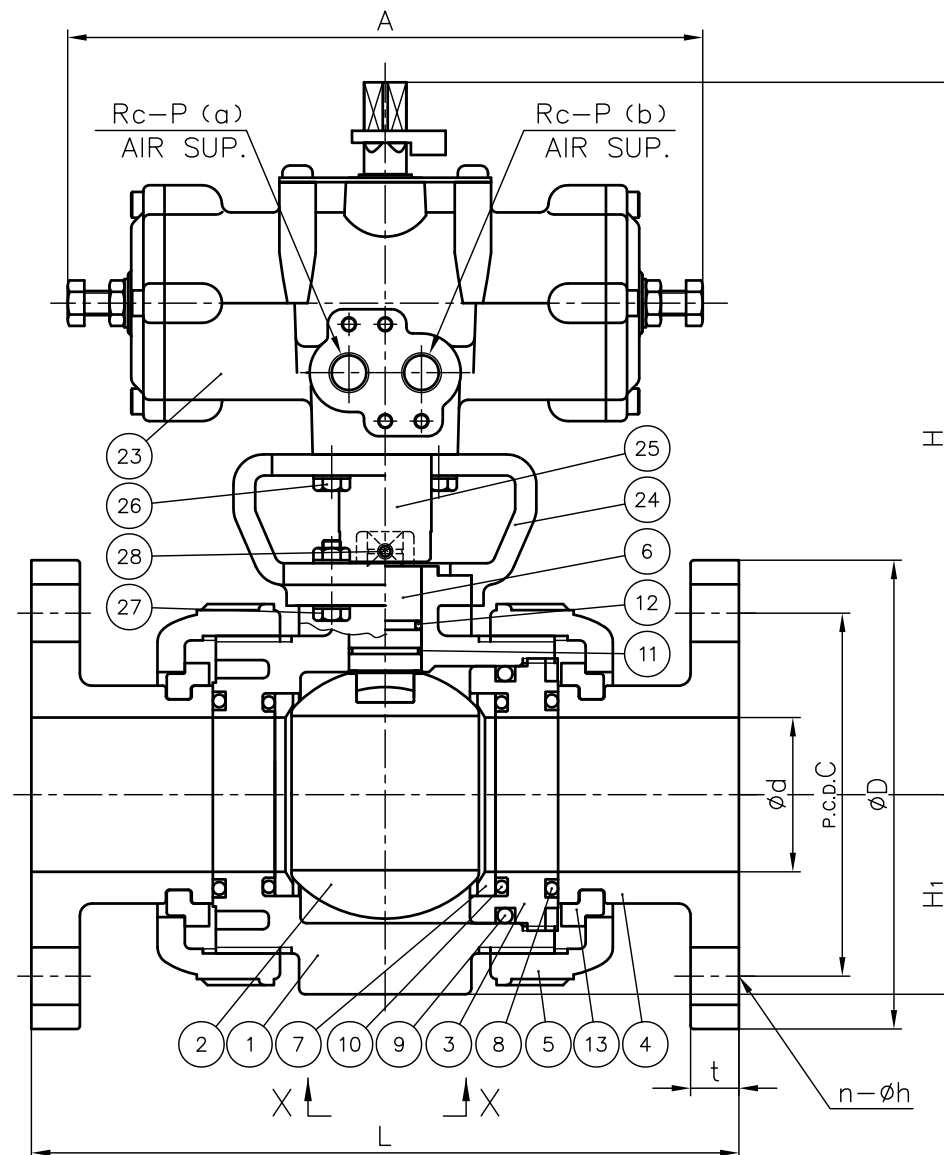
NOMINAL SIZE	D1	H	H1	A	A2	A3	S1	S2	S3	P	ACTUATOR MODEL	
15mm	1/2"	48	159.5	29	110	25	32	19	7.3	11	1/8	TA2A-0402D
20	3/4	60	166	35	110	25	32	19	7.3	11	1/8	TA2A-0402D
25	1	70	173	39	110	25	32	19	7.3	11	1/8	TA2A-0402D
32	1 1/4	82	182	47	110	25	32	30	9	15	1/8	TA2A-0402D
40	1 1/2	100	224	55	210	46	36	30	9	15	1/4	TA2A-050D
50	2	126	235.5	66	210	46	36	30	9	15	1/4	TA2A-050D

NOTE.

- Operating pressure 0.4~0.6MPa G
- Valve open : Part (a) Exhaust, Part (b) Supply
Valve shut : Part (a) Supply, Part (b) Exhaust
- The shape and appearance of assembly differ a little with nominal size and material compared to this drawing.

MODEL CLASSIFICATION TABLE

TYPE	MATERIAL
21ALPHA	PVC C-PVC
21	PP PVDF



4a	RING	2	STAINLESS STEEL (SUS304)	Used for C-PVC Body. Threaded End: 15~25mm
28	SCREW (B)	2	STAINLESS STEEL (SUS304)	
27	BOLT · NUT (B)	4sets	STAINLESS STEEL (SUS304)	
26	BOLT (A)	4	STAINLESS STEEL (SUS304)	
25	JOINT	1	COPPER ALLOY (C3604)	
24	STAND	1	PPG	
23	ACTUATOR	1	ALUMINIUM ALLOYS DIE CASTINGS (ADC12) etc.	Melamine Baking Coat.
13	STOP RING	2	PVDF	Used for Flanged End
12	O-RING (E)	1	□EPDM □FKM □others	
11	O-RING (D)	1		
10	O-RING (C)	2		
9	O-RING (B)	1		
8	O-RING (A)	2		
7	SEAT	2	PTFE	
6	STEM	1		
5	UNION NUT	2	□PVC □C-PVC □PP □PVDF	
4	END CONNECTOR	2		
3	CARRIER	1		
2	BALL	1		
1	BODY	1		
No.	DESCRIPTION	QTY.	MATERIAL	REMARKS
ITEM	BALL VALVE (TYPE21 · 21ALPHA) PNEUMATIC MODEL TA TYPE ASS'Y DOUBLE ACTING ANSI : □FLANGED END, □SOCKET END, □THREADED END 15mm (1/2") ~ 50mm (2")			
DRAWN	M.Oosako	DATE	SCALE	
CHECKED	H.Kawano	FEB.01.2010	DRAWING No.	
APPROVED	Y.Ozaki	IB-AA157AEm		2
SPECIAL ORDER No.	ASAHI YUKIZAI CORPORATION			