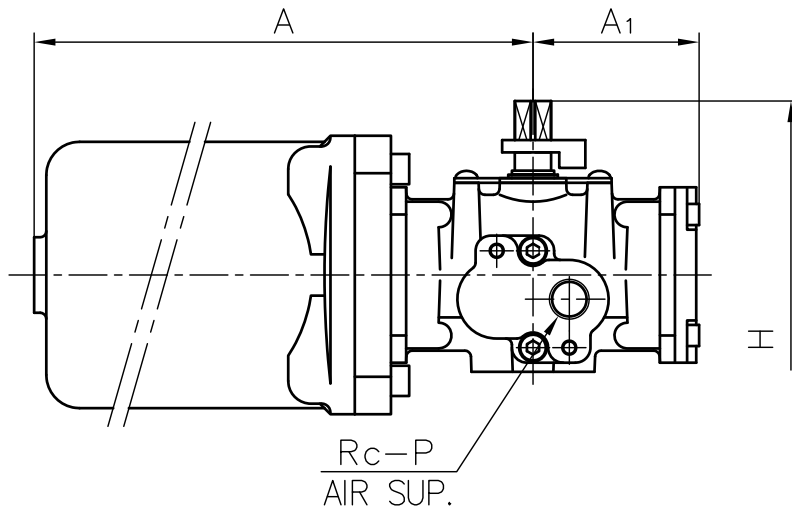


Appearance of TA2A-0402R



DIMENSIONS TABLE

Nominal Size	FLANGED END								SOCKET END						THREADED END			
	ANSI Class 150								PVC, C-PVC			PP, PVDF			L			
									ASTM SCH80									
	d	D	C	n	h	L	t	d1	d1'	l	L	d1	l	L	d2	l	PVC C-PVC	PP PVDF
15mm 1/2"	15	89	60.5	4	16	143	12	21.54	21.23	22.22	113	20.96	22.2	112	1/2-14NPT	15	102	100
20 3/4"	20	98	70	4	16	172	14	26.87	26.57	25.40	129	26.16	25.4	127	3/4-14NPT	17	120	119
25 1"	25	108	79.5	4	16	187	14	33.65	33.27	28.58	145	33.02	28.6	143	1-11 1/2NPT	20	131	130
32 1 1/4"	32	117	89	4	16	190	16	42.42	42.04	31.75	164	41.91	31.8	160	1 1/4-11 1/2NPT	22	150	146
40 1 1/2"	40	127	98.5	4	16	212	16	45.56	48.11	34.93	184	48.01	34.9	179	1 1/2-11 1/2NPT	25	163	160
50 2"	51	152	120.5	4	19	234	16	60.63	60.17	38.10	209	59.94	38.1	204	2-11 1/2NPT	28	197	194

Unit : mm

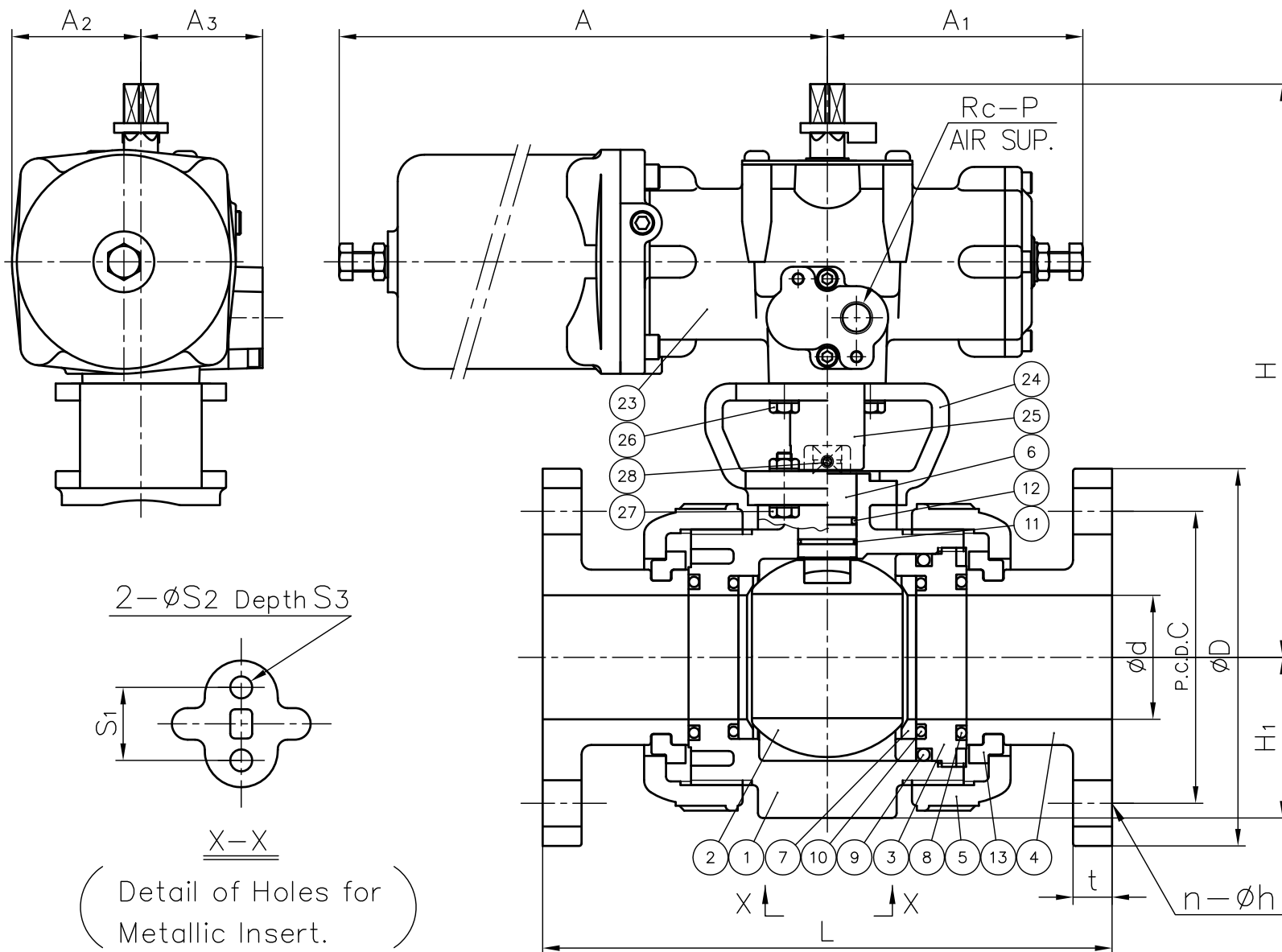
Nominal Size	D1	H	H1	A	A1	A2	A3	S1	S2	S3	P	Actuator Type
15mm 1/2"	48	159.5	29	194	55	46	46	19	7.3	11	1/4	TA2A-0402R
20 3/4"	60	166	35	194	55	46	46	19	7.3	11	1/4	TA2A-0402R
25 1"	70	173	39	194	55	46	46	19	7.3	11	1/4	TA2A-0402R
32 1 1/4"	82	182	47	194	55	46	46	30	9	15	1/4	TA2A-0402R
40 1 1/2"	100	224	55	240	105	53	50	30	9	15	1/4	TA2A-050R
50 2"	126	235.5	66	240	105	53	50	30	9	15	1/4	TA2A-050R

NOTE.

- Operating pressure : 0.4-0.7MPa G  
Air to open ; Air-less shut  
Air to shut ; Air-less open
- The shape and appearance of assembly differ a little with nominal size and material compared to this drawing.

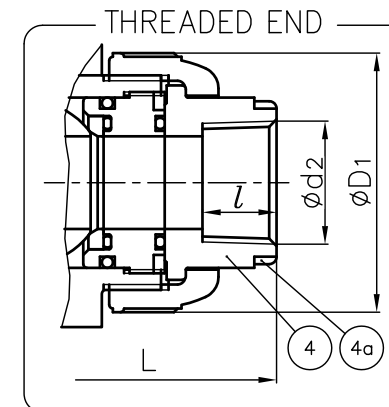
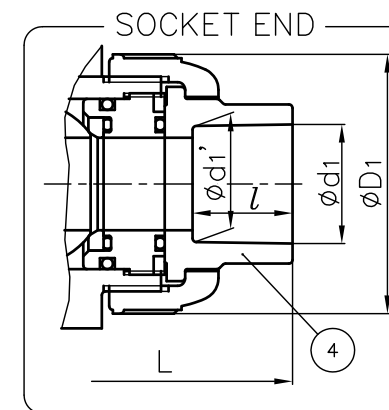
FLANGED END

40mm (1 1/2") · 50mm (2")



MODEL CLASSIFICATION TABLE

TYPE	MATERIAL
21ALPHA	PVC C-PVC
21	PP PVDF



No.	DESCRIPTION	QTY.	MATERIAL	REMARKS
4a	RING	2	STAINLESS STEEL (SUS304)	Used for C-PVC Body, Threaded End: 15~25mm
28	SCREW (B)	2	STAINLESS STEEL (SUS304)	
27	BOLT · NUT (B)	4sets	STAINLESS STEEL (SUS304)	
26	BOLT (A)	4	STAINLESS STEEL (SUS304)	
25	JOINT	1	COPPER ALLOY (C3604)	
24	STAND	1	PPG	
23	ACTUATOR	1	ALUMINIUM ALLOYS DIE CASTINGS (ADC12) etc.	Meramin Baking Coat.
13	STOP RING	2	PVDF	Used for Flanged End
12	O-RING (E)	1		
11	O-RING (D)	1	□EPDM □FKM	
10	O-RING (C)	2	□Others	
9	O-RING (B)	1	( )	
8	O-RING (A)	2		
7	SEAT	2	PTFE	
6	STEM	1		
5	UNION NUT	2	□PVC	
4	END CONNECTOR	2	□C-PVC	
3	CARRIER	1	□PP	
2	BALL	1	□PVDF	
1	BODY	1		

ITEM	BALL VALVE (TYPE21 · 21ALPHA) PNEUMATIC MODEL TA TYPE ASS'Y □AIR TO OPEN, □AIR TO SHUT ANSI; □FLANGED END, □SOCKET END, □THREADED END 15mm (1/2") ~ 50mm (2")		
DRAWN	E.Emmei	DATE	SCALE
CHECKED	H.Kawano	JUL.22.2015	
APPROVED	H.Kouroggi	DRAWING No.	
SPECIAL ORDER No.	IB-AA158AEm		▲
<b>ASAHI YUKIZAI CORPORATION</b>			