

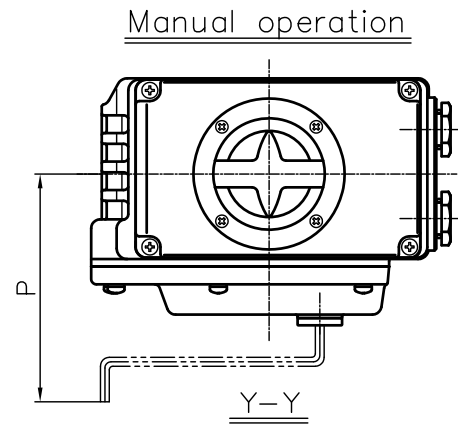
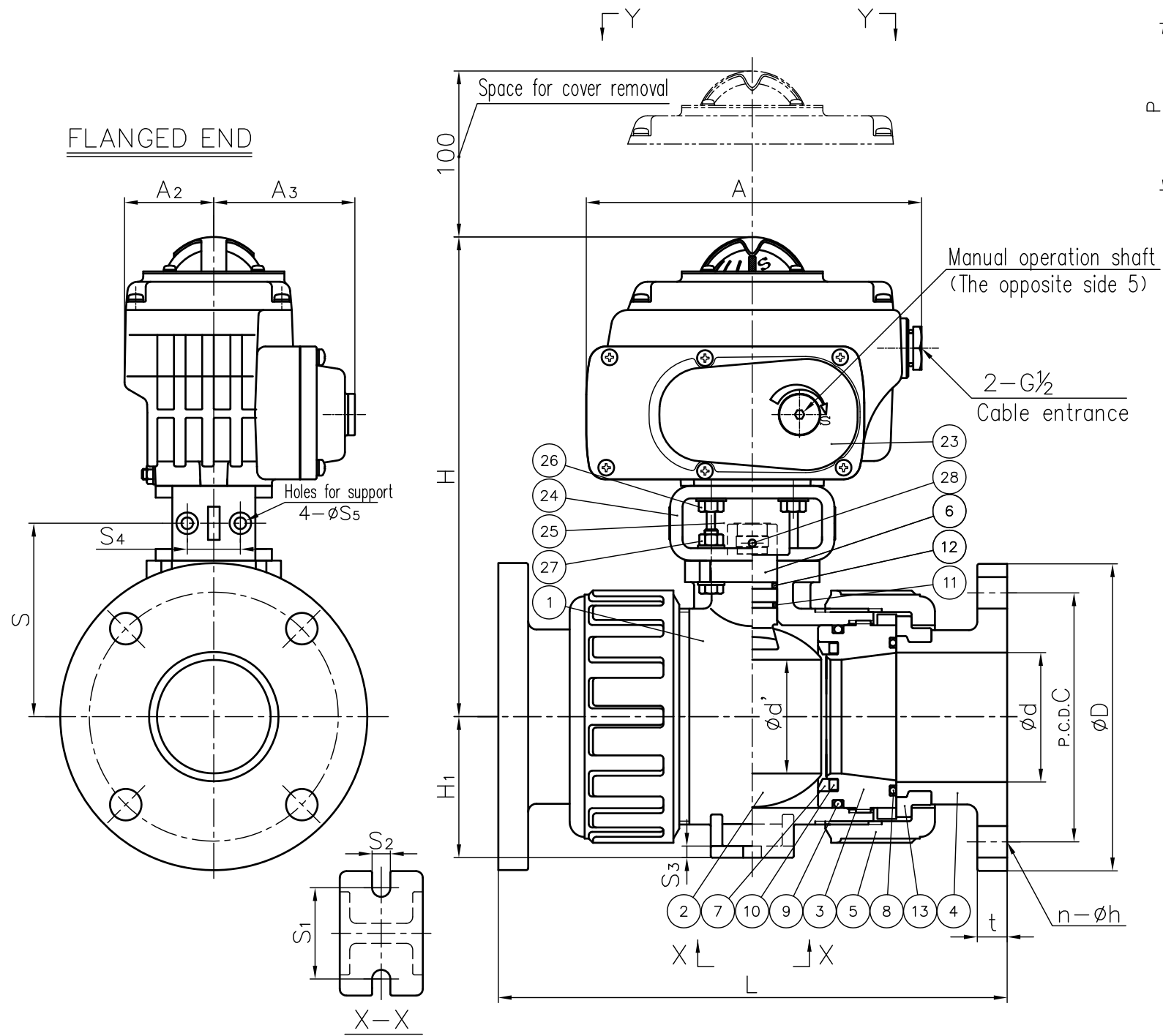
DIMENSIONS TABLE

Nominal Size	d	d'	FLANGED END									SOCKET END						THREADED END				SPIGOT END												
			DIN PN10			L			t	PVC C-PVC			PP,PVDF			d2	l	L			PVC				PP,PVDF									
			D	C	n	h	PVC C-PVC	PP		PVDF	d1	d1'	l	PP	PVDF			d1	d2	l	L	d1	l	t1	L	PP	PVDF	PP	PVDF					
65mm 2½"	65	58	185	145	4	18	290	288	287	18	75	44	233	74.25	73.95	31	205	204	Rp 2½	32	215	213	212	75	65	44	285	75	38	6.9	3.6	245	244	
80	3	78	68.5	200	160	8	18	312	311	308	21	90	51	284	89.2	88.85	35.5	252	249	Rp 3	35	265	264	261	90	80	51	299	90	38	8.2	4.3	296	293
100	4	100	90	220	180	8	18	352	352	347	18	110	61	351	109.05	108.65	41.5	312	307	Rp 4	45	340	340	335	110	93.6	46	358	110	44.5	10.0	5.3	355	350

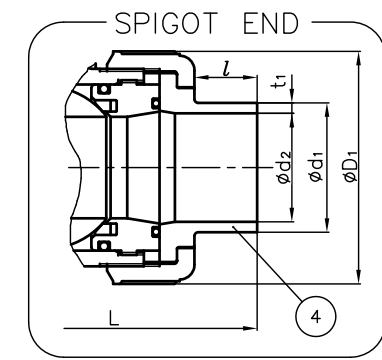
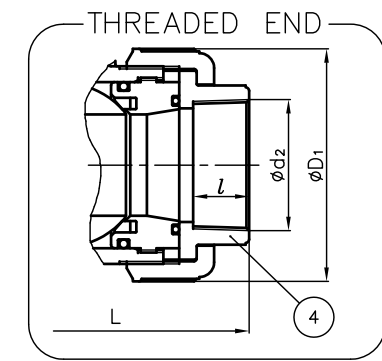
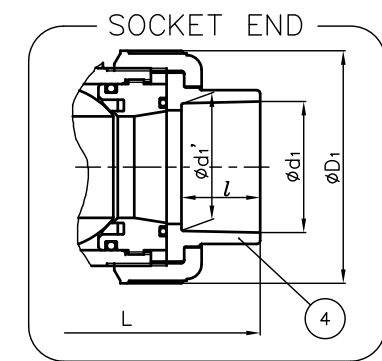
Unit : mm

Nominal Size	D1	H	H1	A	A2	A3	S	S1	S2	S3	S4	S5	P	ACTUATOR MODEL
65mm 2½"	133	280	72	202	53.8	85	107.5	48	9	6	32	7	128	T-0
80	152	289	85	202	53.8	85	116.5	55	11	7	32	7	128	
100	210	327	110	202	53.8	85	151.5	65	11	8	42	9	128	

NOTE. 1.The shape and appearance of assembly differ a little with nominal size and material compared to this drawing.
2.P shows manual operating position.



Spec.	
<input type="checkbox"/>	Standard
<input type="checkbox"/>	With Potentiometer
<input type="checkbox"/>	With Intermediate Limit Switch
<input type="checkbox"/>	With Speed Controller



28	SCREW (B)	2	STAINLESS STEEL (SUS304)	
27	BOLT · NUT (B)	4sets	STAINLESS STEEL (SUS304)	
26	BOLT (A)	4	STAINLESS STEEL (SUS304)	
25	JOINT	1	COPPER ALLOY (C3604)	
24	STAND	1	PPG	
23	ACTUATOR	1	ALUMINIUM ALLOYS DIE CASTINGS (ADC12) etc.	BAKING FINISE
13	STOP RING	2	PVDF	used for flanged end
12	O-RING (E)	1	□EPDM □FKM □others ()	
11	O-RING (D)	1		
10	CUSHION	2		
9	O-RING (B)	2		
8	O-RING (A)	2		
7	SEAT	2	PTFE	
6	STEM	1		
5	UNION NUT	2	□PVC □C-PVC □PP □PVDF	
4	END CONNECTOR	2		
3	CARRIER	2		
2	BALL	1		
1	BODY	1		
No.	DESCRIPTION	QTY.	MATERIAL	REMARKS
ITEM	BALL VALVE (TYPE 21) ELECTRIC MODEL T TYPE ASS'Y DIN : □FLANGED END, □SOCKET END, □THREADED END, □SPIGOT END 65mm (2½") ~ 100mm (4")			
DRAWN	E.Emmei	DATE	SCALE	
CHECKED	H.Kawano	NOV.14.2014	DRAWING No.	
APPROVED	K.Kamita	IB-AE007DE		2
SPECIAL ORDER No.	ASAHI YUKIZAI CORPORATION			