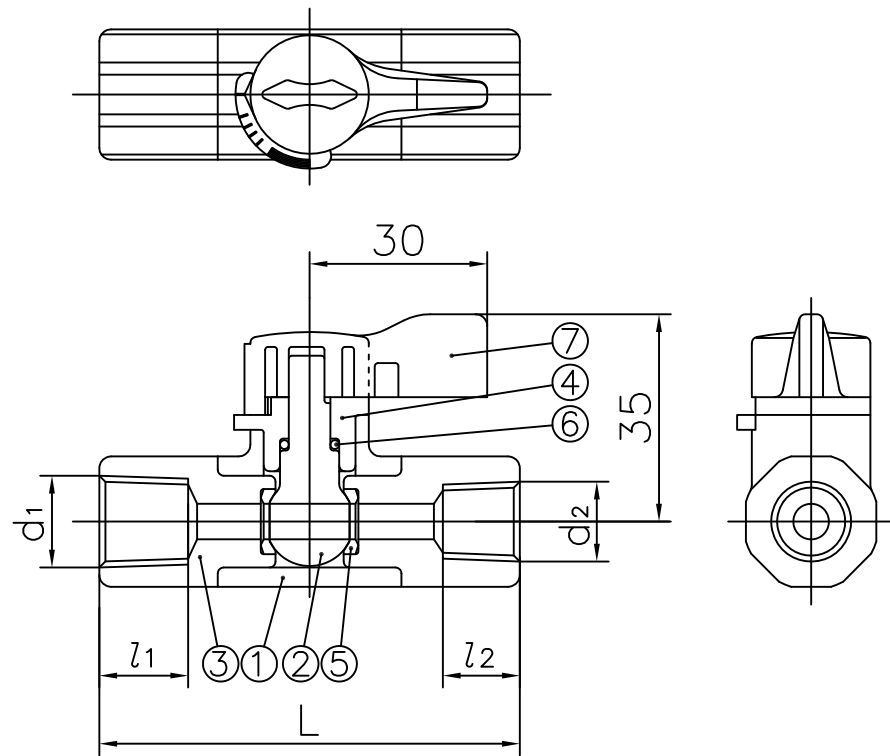
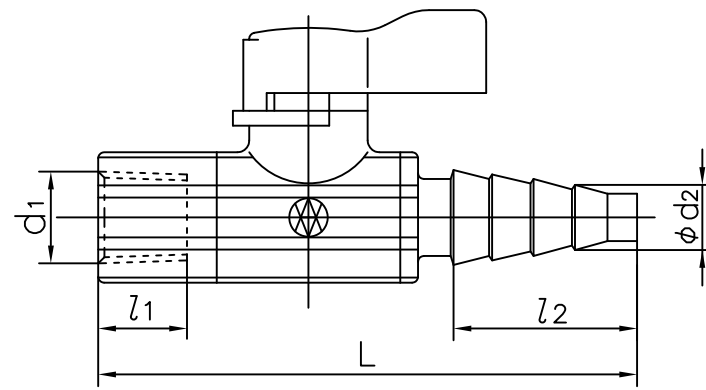


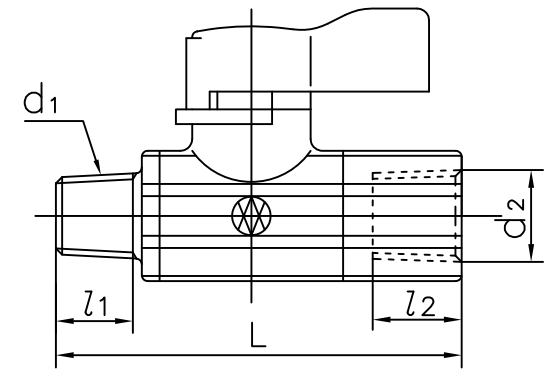
① FEMALE THREAD×FEMALE THREAD



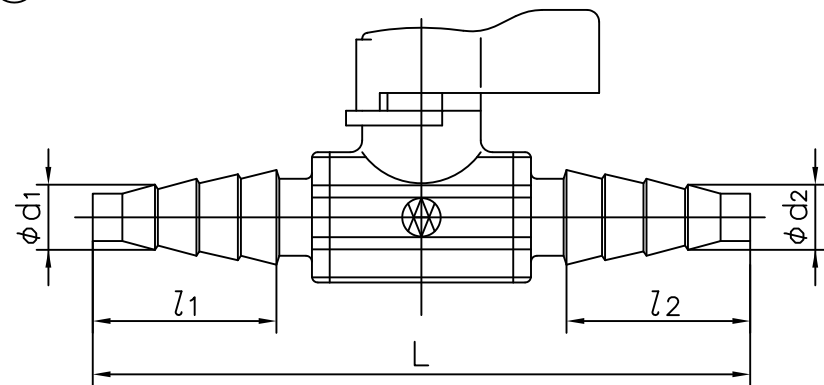
③ FEMALE THREAD×HOSE



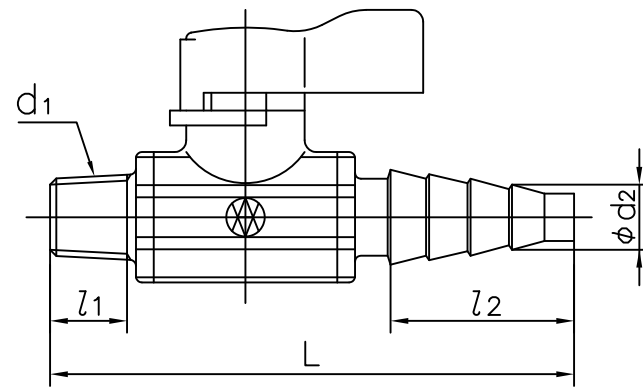
⑥ MALE THREAD×FEMALE THREAD



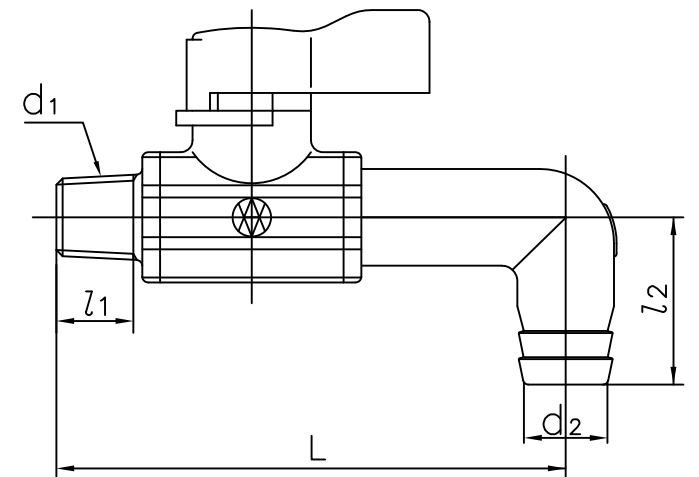
② HOSE×HOSE



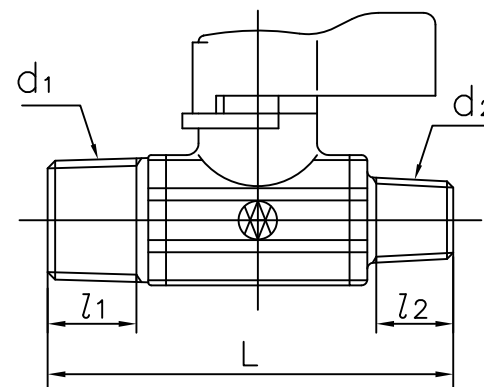
④ MALE THREAD×HOSE



⑦ MALE THREAD×ELBOW



⑤ MALE THREAD×MALE THREAD



DIMENSIONS TABLE

		d1	d2	l1	l2	L
①	FEMALE THREAD ×FEMALE THREAD	<input type="checkbox"/> Rc1/4	Rc1/4	15	15	71
		<input type="checkbox"/> Rc3/8	Rc1/4	15	15	71
		<input type="checkbox"/> Rc3/8	Rc3/8	15	15	71
②	HOSE×HOSE	10	10	30.5	30.5	111
③	FEMALE THREAD ×HOSE	<input type="checkbox"/> Rc1/4	10	15	30.5	91
		<input type="checkbox"/> Rc3/8	10	15	30.5	91

UNIT:mm

		d1	d2	l1	l2	L
④	MALE THREAD ×HOSE	<input type="checkbox"/> R 1/4	10	13	30.5	88.5
		<input type="checkbox"/> R 1/2	10	15	30.5	91
⑤	MALE THREAD ×MALE THREAD	<input type="checkbox"/> R 1/4	R 1/4	13	13	66
		<input type="checkbox"/> R 1/2	R 1/4	15	13	68.5
⑥	MALE THREAD ×FEMALE THREAD	<input type="checkbox"/> R 1/2	R 1/2	15	15	71
		<input type="checkbox"/> R 1/4	Rc1/4	13	15	68.5
		<input type="checkbox"/> R 1/4	Rc3/8	13	15	68.5
⑦	MALE THREAD ×ELBOW	<input type="checkbox"/> R 1/2	16	15	32	93

7	HANDLE	1	ABS	
6	O-RING	1	<input type="checkbox"/> EPDM <input type="checkbox"/> others ()	
5	SEAT ¹⁾	2	<input type="checkbox"/> EPDM <input type="checkbox"/> PTFE <input type="checkbox"/> others ()	1) In case of the lub free valve limits it to PTFE seat.
4	GLAND	1	PVC	
3	END CONNECTOR	2		
2	BALL&STEM	1		
1	BODY	1		
No.	DESCRIPTION	No.REQ'D	MATERIAL	REMARKS

LAB COCK ASS'Y

DRAWN	M.Yamamoto	DATE	SCALE
CHECKED	A.Kuroki	JAN.24.2008	~
APPROVED	K.Ohnishi	DRAWING No.	
SPECIAL ORDER No.	LC-60001JE		
ASAHI YUKIZAI CORPORATION			