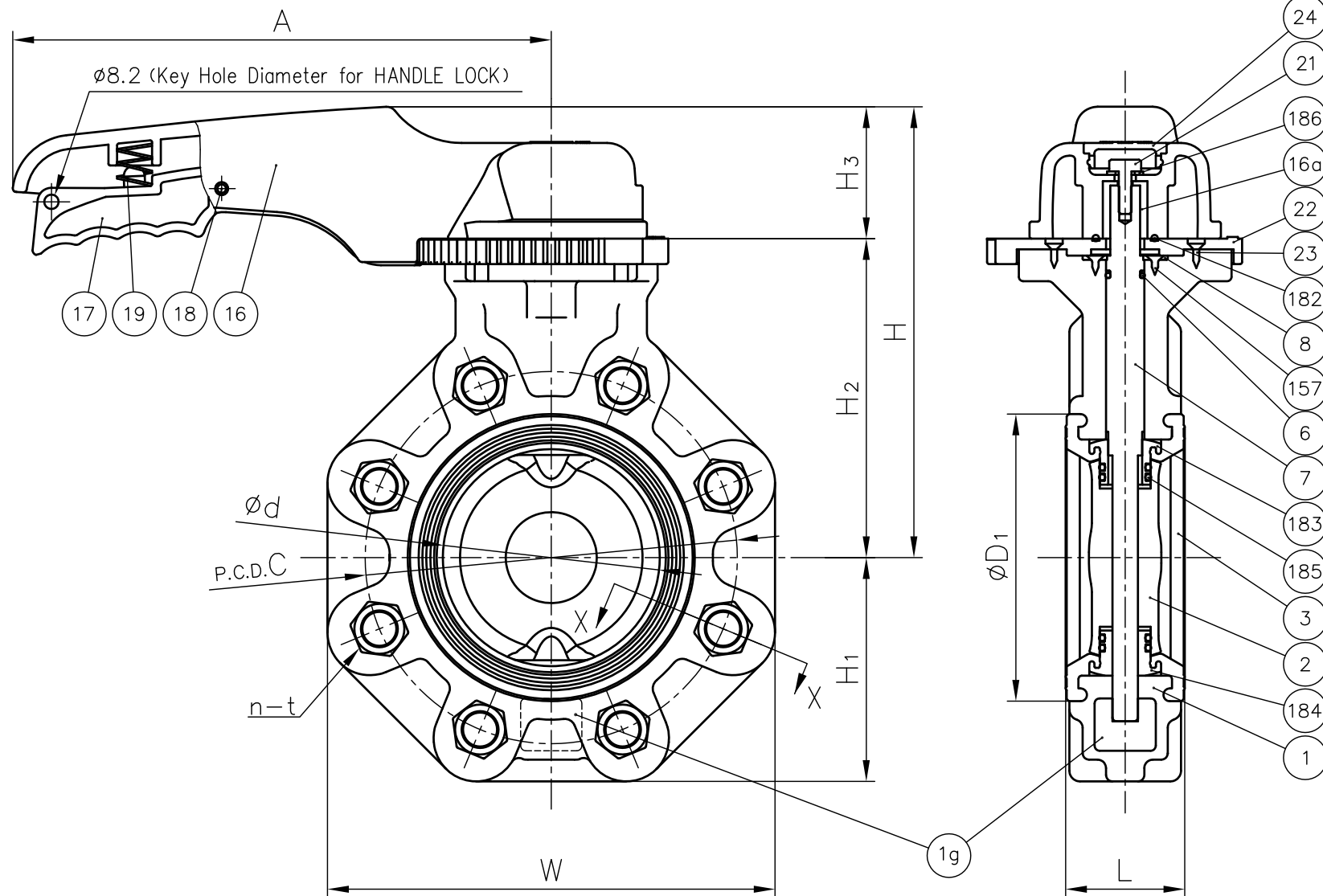
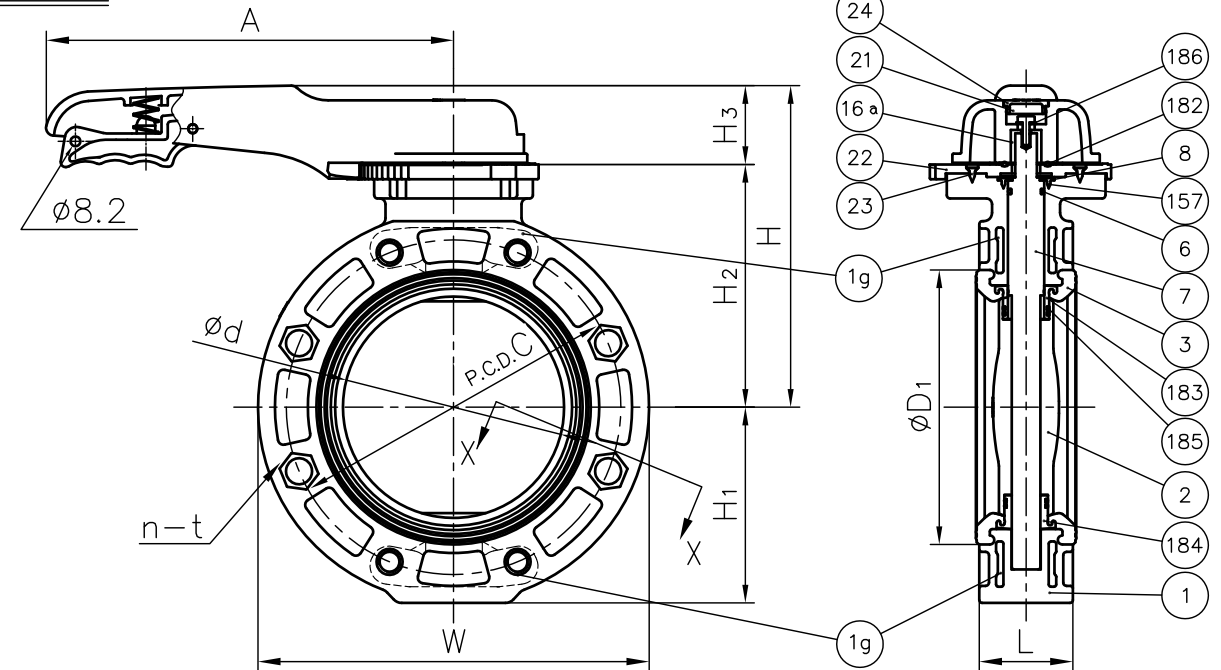


80mm (3") ~ 150mm (6")



200mm (8")



186	RUBBER+WASHER	1	STAINLESS STEEL (SUS304)+EPDM	
184	SEAT BUSH (B)	1	□PP	
183	SEAT BUSH (A)	1	□PVDF	
182	O-RING (H)	1	EPDM	
157	SCREW (F)	4	STAINLESS STEEL (SUS304)	
24	CAP (A)	1	PP	
23	SCREW (B)	4	STAINLESS STEEL (SUS304)	
22	LOCKING PLATE	1	PPG	
21	BOLT (B)	1	STAINLESS STEEL (SUS304)	
19	SPRING	1	STAINLESS STEEL (SUS304)	
18	PIN	1	PPG	
17	HANDLE LEVER	1	PPG	
16a	HANDLE INSERTED METAL	1	STAINLESS STEEL (SUS316L)	
16	HANDLE (A)	1	PP	
8	STEM HOLDER (A)	1	PP	
7	STEM	1	STAINLESS STEEL (SUS403)	
185	O-RING (I)		□EPDM	
6	O-RING (C)	1	□FKM	
3	SEAT	1	□FKM-F	
2	DISC	1	□PP	
			□PVDF	
1g	BODY-INSERT	1	STAINLESS STEEL (SUS304)	Used for 125,150mm
		2	STAINLESS STEEL (SCS13)	Used for 200mm
1e	LUG-INSERT	8	STAINLESS STEEL (SUS304)	Used for 80-150mm
		4	(Antiscoring coat)	Used for 200mm
1	BODY	1	PDCPD	
No.	DESCRIPTION	QTY.	MATERIAL	REMARKS

DIMENSIONS TABLE

Unit : mm

Nominal Size		DIN PN10				D ₁	L	H	H ₁	H ₂	H ₃	A	W	T	t
mm	inch	d	C	n	h										
80	3	77	160	8	18	105	46	191	94	135	56	250	193	40	M16×40 width across fat 24
100	4	102	180	8	18	134	56	206	105	150	56	250	217	40	M16×40 width across fat 24
125	5	129	210	8	18	169	66	237	124	168	69	320	247	50	M16×50 width across fat 24 M20×50 width across fat 30
150	6	150	240	8	23	190	71	252	138	183	69	320	285	50	M20×60 width across fat 30
200	8	195	295	8	23	242	87	283	173	214	69	400	345	60	30

NOTE. The shape and appearance of assembly differ a little with nominal size compared to this drawing.

ITEM	LUG-BUTTERFLY VALVE TYPE 57L ASS'Y LEVER TYPE : DIN PN10 80mm (3") ~ 200mm (8")		
DRAWN	S.Yamashita	DATE	SCALE
CHECKED	H.Kawano	JUN.29.2010	~
APPROVED	Y.Ozaki	DRAWING No.	
SPECIAL ORDER No.		LG-M1002DE	4
ASAHI YUKIZAI CORPORATION			