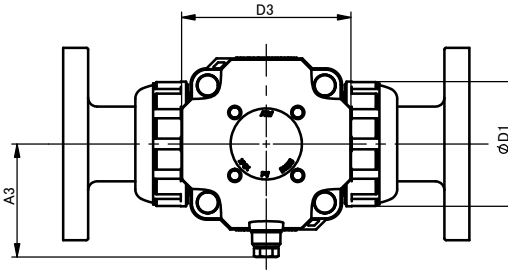
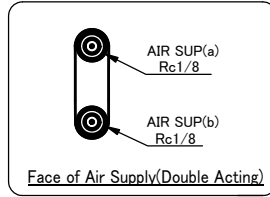
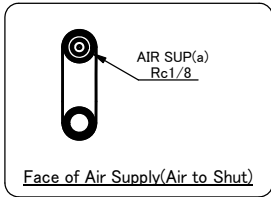


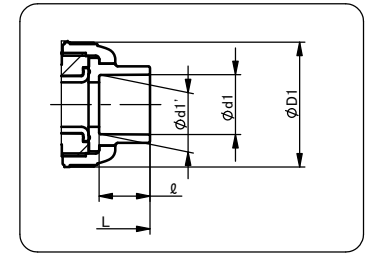
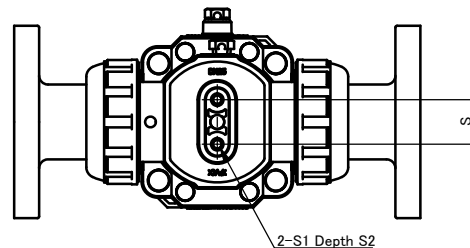
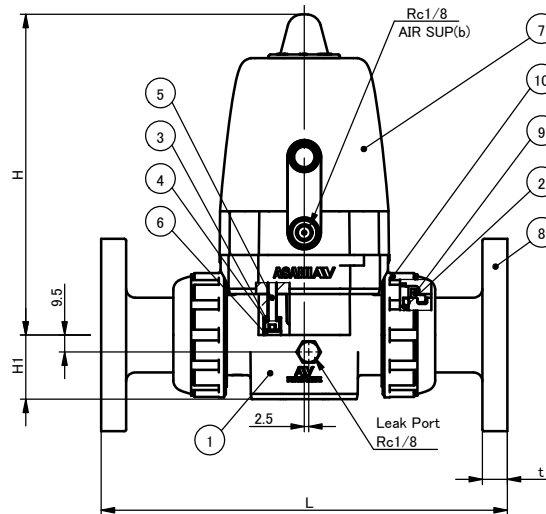
**DIMENSIONS TABLE**

NOMINAL SIZE		FLANGED END								SOCKET END (IPS)				THREADED END						A3		S	S1	S2		
		ANSI Class 150				ASTM SCH80				d2	ℓ	L	D1	D3	H	H1	H2	H3	DOUBLE ACTING	AIR TO OPEN AIR TO SHUT						
		d	D	C	n																h				L	t
1"	25mm	0.98	4.25	3.12	4	0.62	8.98	0.55	1.325	1.310	1.125	7.32	1-11 1/2NPT	0.79	6.77	2.76	3.74	7.09	1.42	2.26	1.67	2.26	2.5	0.98	M6	0.28

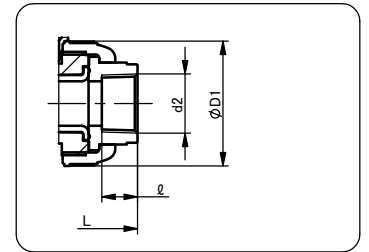
Unit:inch



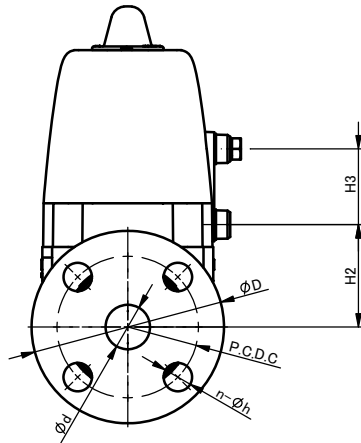
AIR TO OPEN



SOCKET END



THREADED END



**NOTE.**

- Operation of permission pressure  
 Double Acting : 0.3~0.4MPa G  
 Air to Open , Air to Shut : 0.4~0.6MPa G
- Double Acting , Valve Open : Port (a) Exhaust Port (b) Supply  
 Valve Shut : Port (a) Supply Port (b) Exhaust
- Air to Open , Valve Open : Port (b) Supply  
 Valve Shut : Port (b) Exhaust
- Air to Shut , Valve Open : Port (a) Exhaust  
 Valve Shut : Port (a) Supply

No.	DESCRIPTION	QTY.	MATERIAL	REMARKS
10	Union nut	2	PVC	
9	Stop Ring	2	PVDF	Used for Flanged end
8	Body Cap Flange type	2	PVC	Wetted parts
7	Actuator	1	PPG etc.	
6	Rubber cap	4	EPDM	
5	Bolt	4	SUS304	
4	Spring washer	4	SUS304	
3	Washer	4	SUS304	
2	Tube	1	EPDM	Wetted parts
1	Body	1	PVC etc.	

ITEM	PINCH VALVE (TYPE01) PNEUMATIC ACTUATED MODEL TYPE AX ASS'Y <input type="checkbox"/> DOUBLE ACTING, <input type="checkbox"/> AIR TO OPEN, <input type="checkbox"/> AIR TO SHUT ANSI: <input type="checkbox"/> FLANGED END, <input type="checkbox"/> SOCKET END, <input type="checkbox"/> THREADED END 1" (25mm)		
MODEL No.			
DRAWN	E. Ermei	DATE	SCALE
CHECKED	T. Iwamoto	Feb. 10. 2021	~
APPROVED	K. Koushou	DRAWING No.	
WEIGHT	2.11kg	SHEET	1
SPECIAL ORDER No.	PV-AA001AE		
<b>ASAHI YUKIZAI CORPORATION</b>			