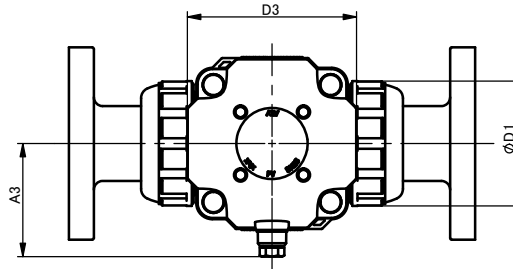
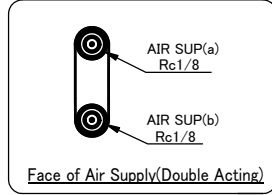
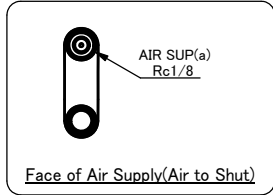


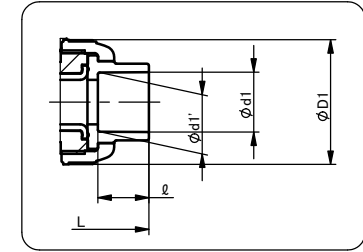
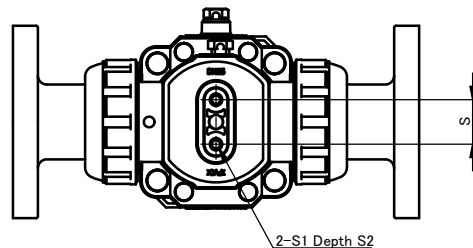
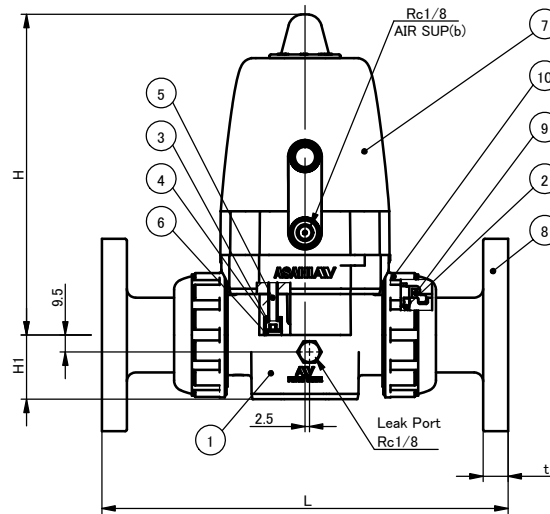
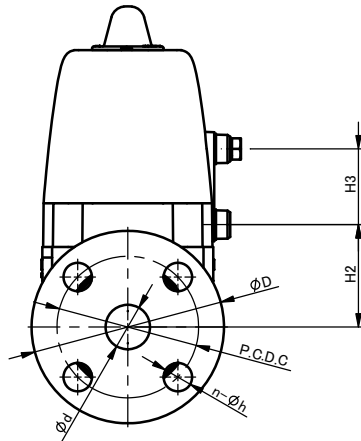
DIMENSIONS TABLE

Unit:mm

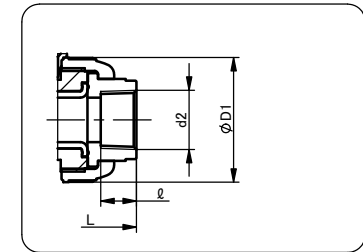
NOMINAL SIZE	d	FLANGED END						SOCKET END (IPS)				THREADED END						A3			S	S1	S2			
		ANSI Class 150						ASTM SCH80				d2	ℓ	L	D1	D3	H	H1	H2	H3				DOUBLE ACTING	AIR TO OPEN	AIR TO SHUT
		D	C	n	h	L	t	d1	d1'	ℓ	L															
25mm 1"	25	108	79.5	4	16	228	14	33.66	33.27	28.58	186	1-11 1/2NPT	20	172	70	95	180	36	57.5	42.5	57.5	63.5	25	M6	7	



AIR TO OPEN



SOCKET END



THREADED END

NOTE.

- Operation of permission pressure
 Double Acting : 0.3~0.4MPa G
 Air to Open , Air to Shut : 0.4~0.6MPa G
- Double Acting , Valve Open : Port (a) Exhaust Port (b) Supply
 Valve Shut : Port (a) Supply Port (b) Exhaust
- Air to Open , Valve Open : Port (b) Supply
 Valve Shut : Port (b) Exhaust
- Air to Shut , Valve Open : Port (a) Exhaust
 Valve Shut : Port (a) Supply

No.	DESCRIPTION	QTY.	MATERIAL	REMARKS
10	Union nut	2	PVC	
9	Stop Ring	2	PVDF	Used for Flanged end
8	Body Cap Flange type	2	PVC	Wetted parts
7	Actuator	1	PPG etc.	
6	Rubber cap	4	EPDM	
5	Bolt	4	SUS304	
4	Spring washer	4	SUS304	
3	Washer	4	SUS304	
2	Tube	1	EPDM	Wetted parts
1	Body	1	PVC etc.	

ITEM	PINCH VALVE (TYPE01) PNEUMATIC ACTUATED MODEL TYPE AX ASS'Y <input type="checkbox"/> DOUBLE ACTING, <input type="checkbox"/> AIR TO OPEN, <input type="checkbox"/> AIR TO SHUT ANSI: <input type="checkbox"/> FLANGED END, <input type="checkbox"/> SOCKET END, <input type="checkbox"/> THREADED END 25mm (1")		
MODEL No.			
DRAWN	E. Ermei	DATE	SCALE
CHECKED		Feb. 10. 2021	~
APPROVED	DRAWING No.		
WEIGHT	2.11kg	SHEET	1
SPECIAL ORDER No.	PV-AA001AEm		
ASAHI YUKIZAI CORPORATION			