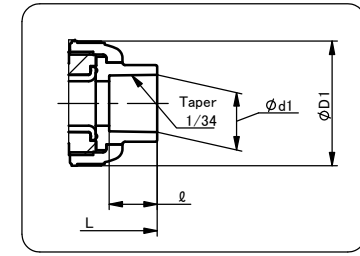
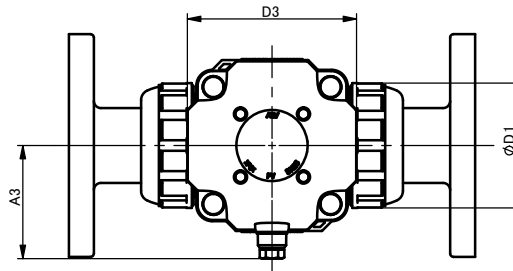
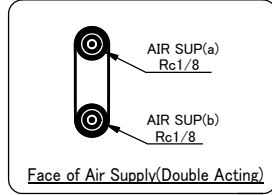
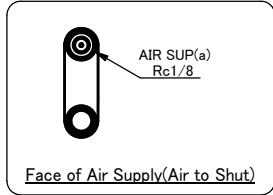


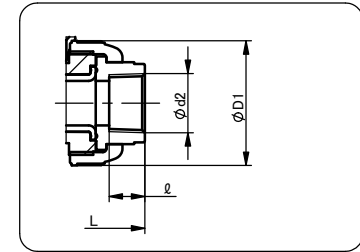
DIMENSIONS TABLE

Unit:mm

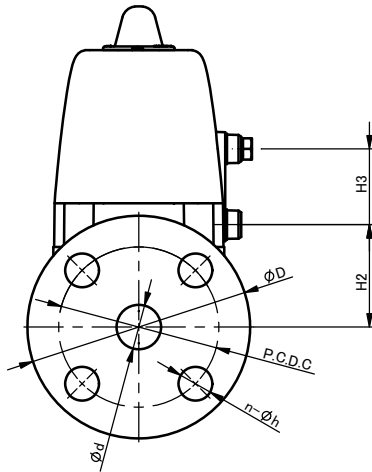
NOMINAL SIZE	FLANGED END										SOCKET END				THREADED END			A3		S	S1	S2			
	JIS10K					L	t	d1	ℓ	1/T	L	d2	ℓ	L	D1	D3	H	H1	H2				H3	DOUBLE ACTING	AIR TO OPEN AIR TO SHUT
	d	D	C	n	h																				
25mm 1"	25	125	90	4	19	228	14	32.16	27	1/34	186	Rc 1	20	172	70	95	180	36	57.5	42.5	57.5	63.5	25	M6	7



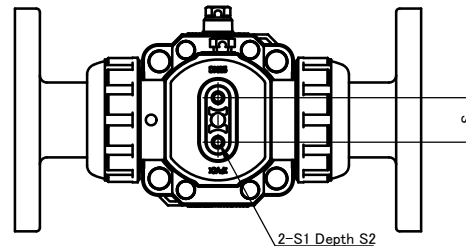
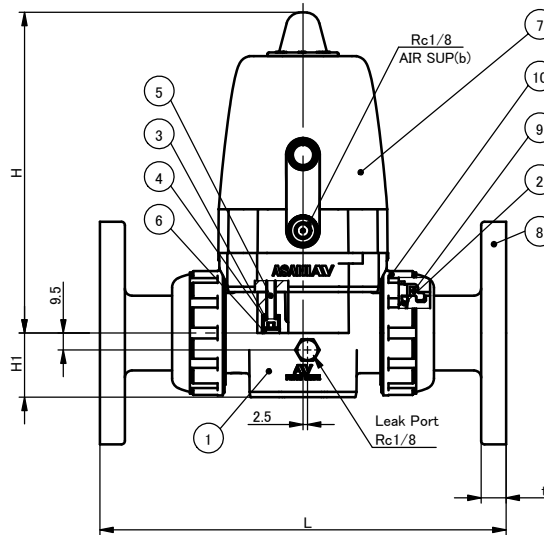
SOCKET END



THREADED END



AIR TO OPEN



NOTE.

- Operation of permission pressure
 Double Acting : 0.3~0.4MPa G
 Air to Open , Air to Shut : 0.4~0.6MPa G
- Double Acting , Valve Open : Port (a) Exhaust Port (b) Supply
 Valve Shut : Port (a) Supply Port (b) Exhaust
- Air to Open , Valve Open : Port (b) Supply
 Valve Shut : Port (b) Exhaust
- Air to Shut , Valve Open : Port (a) Exhaust
 Valve Shut : Port (a) Supply

No.	DESCRIPTION	QTY.	MATERIAL	REMARKS
10	Union nut	2	PVC	
9	Stop Ring	2	PVDF	Used for Flanged end
8	End connector	2	PVC	Wetted parts
7	Actuator	1	PPG etc.	
6	Rubber cap	4	EPDM	
5	Bolt	4	SUS304	
4	Spring washer	4	SUS304	
3	Washer	4	SUS304	
2	Tube	1	EPDM	Wetted parts
1	Body	1	PVC etc.	

ITEM	PINCH VALVE (TYPE01) PNEUMATIC ACTUATED MODEL TYPE AX ASS'Y <input type="checkbox"/> DOUBLE ACTING; <input type="checkbox"/> AIR TO OPEN, <input type="checkbox"/> AIR TO SHUT JIS : <input type="checkbox"/> FLANGED END (10K), <input type="checkbox"/> SOCKET END, <input type="checkbox"/> THREADED END 25mm (1")			
MODEL No.				
DRAWN	E. Ermei	DATE	SCALE	
CHECKED	T. Iwamoto	Feb. 10. 2021	~	
APPROVED	K. Koushou	DRAWING No.		
WEIGHT	2.22kg	SHEET	1	PV-AA001JE
SPECIAL ORDER No.				
ASAHI YUKIZAI CORPORATION				