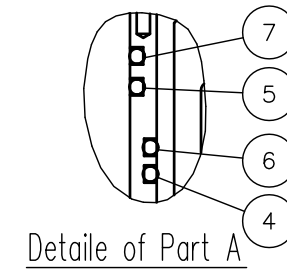
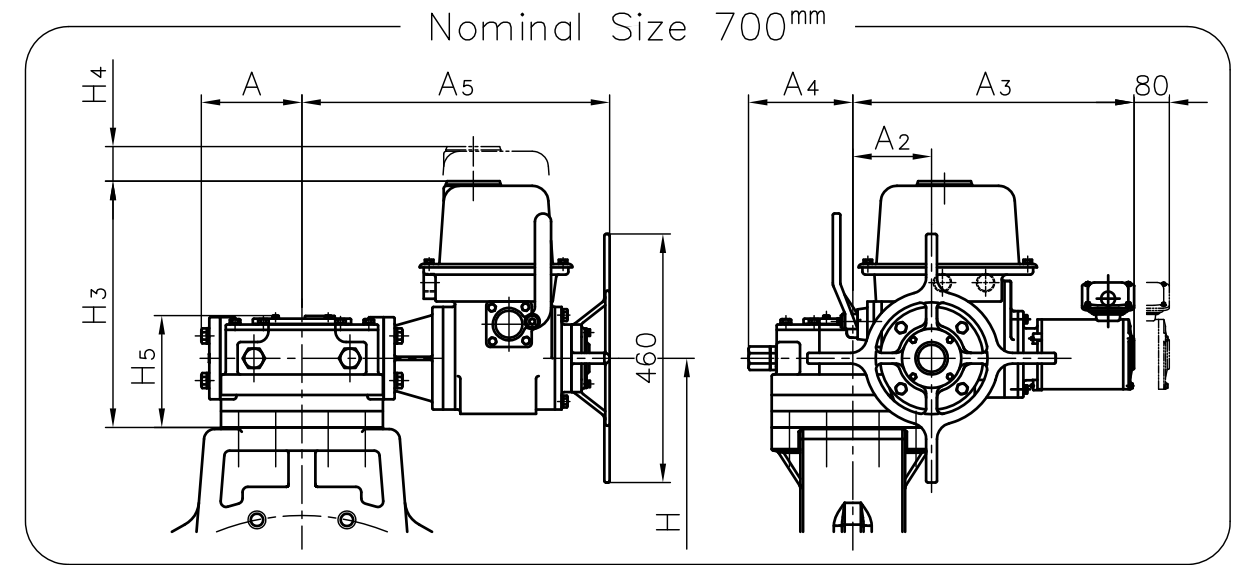
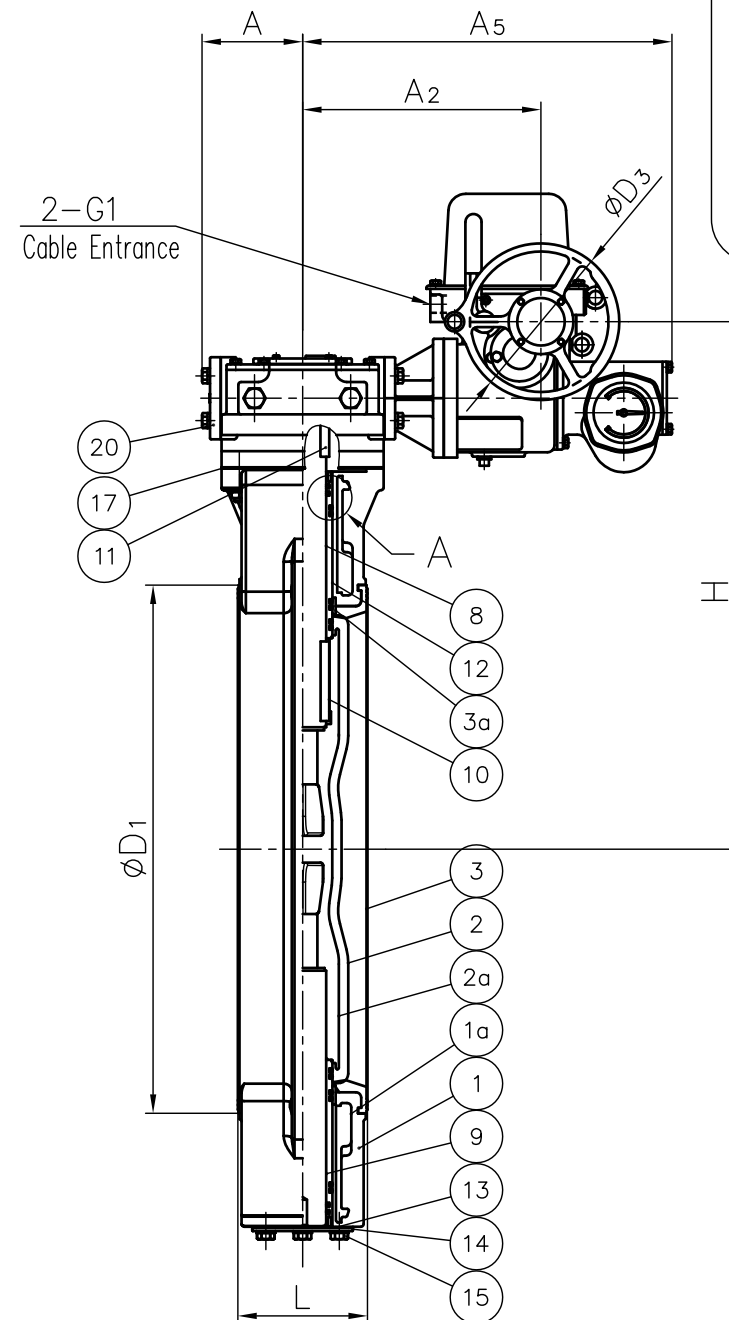
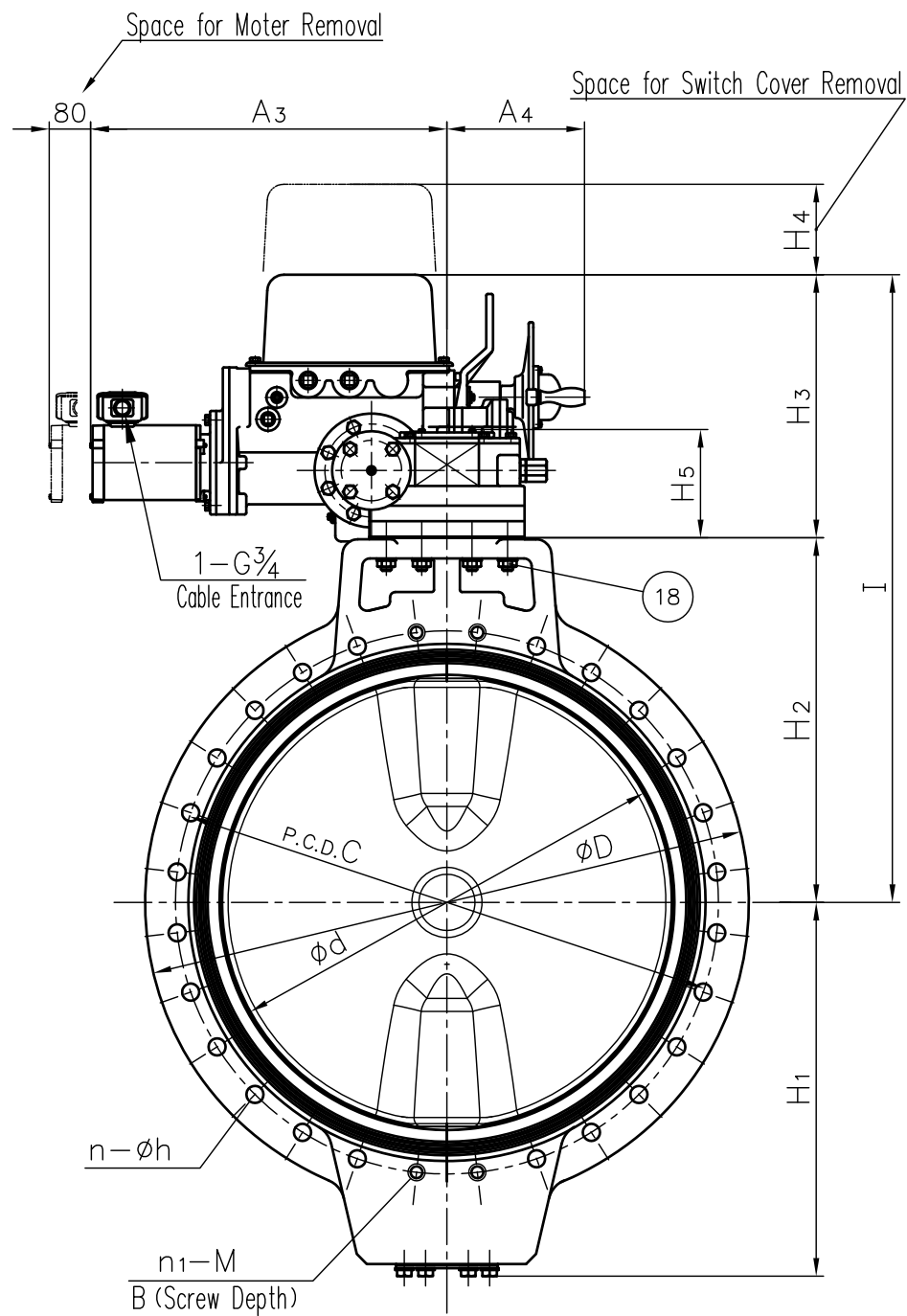


DIMENSIONS TABLE

UNIT : mm

NOMINAL SIZE	DIN PN10																									ACTUATOR TYPE
	d	C	h	N Number of Standard Bolt Holes	n Number of through Bolt Holes	n1 Screw Holes		M	B	D	D <sub>1</sub>	D <sub>3</sub>	L	H	H <sub>1</sub>	H <sub>2</sub>	H <sub>3</sub>	H <sub>4</sub>	H <sub>5</sub>	I	A	A <sub>2</sub>	A <sub>3</sub>	A <sub>4</sub>	A <sub>5</sub>	
						One Side	Totale																			
700 <sup>mm</sup> 28"	670	840	30	24	20	4	8	M27	45	928	760	-	206	720	589	590	458	160	206	1048	186	146	521	193	570	LTMD-02/BRM-10
800	32	770	950	33	24	4	8	M30	50	1034	870	290	240	892	619	620	508	175	206	1128	186	442	661	193	684	LTMD-05/BRM-10
900	36	870	1050	33	28	4	8	M30	50	1168	978	290	240	977	704	705	508	175	206	1213	186	442	689	193	684	LTMD-05/BRM-10
1000	40	970	1160	36	28	4	8	M33	70	1262	1080	290	300	1058	749	750	544	175	258	1294	220	481	745	236	723	LTMD-05/BRM-18

NOTE. The shape and appearance of assembly differ a little with nominal size compared to this drawing.



3a	STABILIZATION RING	2	STAINLESS STEEL (SUS304)	
2a	INSERTED METAL OF DISC	1	DUCTILE IRON (FCD450)	
1a	INSERTED METAL OF BODY	1	DUCTILE IRON (FCD450)	
20	ACTUATOR	1	DUCTILE IRON (FCD450)	Tar Epoxy Coat.
18	BOLT (B)	8	STAINLESS STEEL (SUS304)	
17	GASKET (B)	1	NONAS SHEET	
15	BOLT (A)	6	STAINLESS STEEL (SUS304)	
14	STEM HOLDER (A)	1	STAINLESS STEEL (SUS304)	
13	GASKET (A)	1	NONAS SHEET	
12	BUSH	2	BRONZE CAST (BC6)	
11	KEY (B)	1	CORON STEEL (S45C)	
10	KEY (A)	1	CORON STEEL (S45C)	
9	STEM (B)	1	STAINLESS STEEL (SUS403)	
8	STEM (A)	1	STAINLESS STEEL (SUS403)	
7	O-RING (D)	1	NBR	
6	O-RING (C)	1	NBR	
5	O-RING (B)	3	EPDM	
4	O-RING (A)	11	EPDM	
3	SEAT	1	EPDM	
2	DISC	1	PDCPD	
1	BODY	1	PDCPD	
No.	DESCRIPTION	QTY.	MATERIAL	REMARKS

ITEM	PDCPD BUTTERFLY VALVE ELECTRIC ACTUATED S TYPE ASS'Y AUTO-RECOVERY TYPE DIN PN10 700 <sup>mm</sup> (28") ~1000 <sup>mm</sup> (40")		
DRAWN	E.Ozaki	DATE	SCALE
CHECKED	H.Kawano	FEB.22.2016	~
APPROVED	H.Kourogi	DRAWING No. RI-AE003DE	
SPECIAL ORDER No.			

ASAHI YUKIZAI CORPORATION