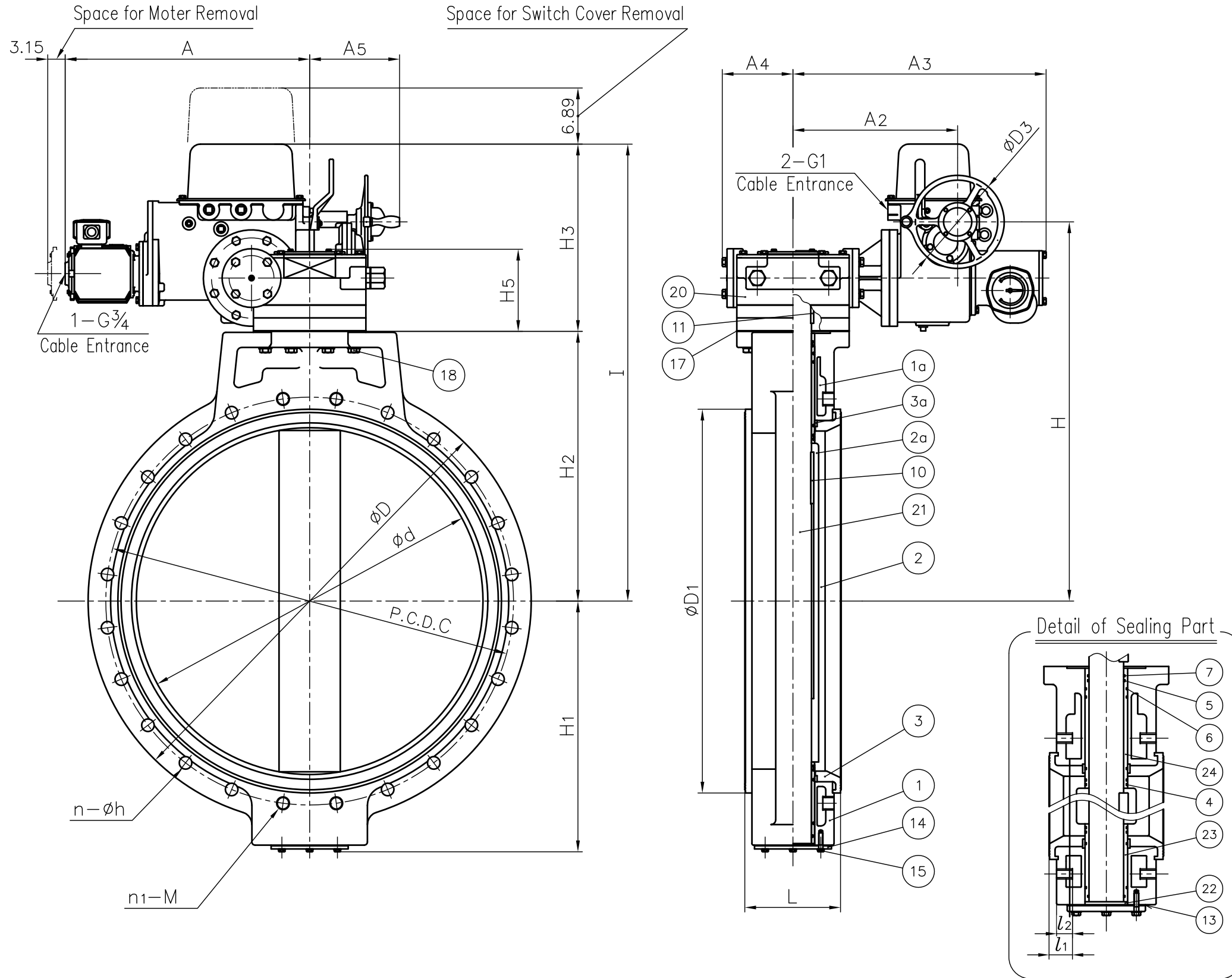


DIMENSIONS TABLE

UNIT : inch

NOMINAL SIZE	d	C	h	ANSI Class 125						ANSI Class 150						D	D <sub>1</sub>	D <sub>3</sub>	L	H	H <sub>1</sub>	H <sub>2</sub>	H <sub>3</sub>	H <sub>5</sub>	I	A	A <sub>2</sub>	A <sub>3</sub>	A <sub>4</sub>	A <sub>5</sub>	ACTUATOR MODEL						
				N Number of Standard Bolt Holes	n Number of Through Bolt Holes	n1 Screw Holes		M	l <sub>1</sub>	l <sub>2</sub>	C	h	N Number of Standard Bolt Holes	n Number of Through Bolt Holes	n1 Screw Holes																	M	l <sub>1</sub>	l <sub>2</sub>			
44" 1100mm	42.52	-	-	-	-	-	-	-	-	-	-	-	51.75	1.62	40	36	4	8	1½	2.80	1.93	54.33	47.05	11.42	11.81	34.76	30.71	33.07	23.03	10.15	56.10	30.83	20.20	31.06	8.66	11.02	LTMD-1/BRM-18
48 1200	46.06	56.00	1.62	44	40	4	8	1½	3.43	2.56	56.00	1.62	44	40	4	8	1½	3.43	2.56	58.58	51.18	11.42	13.78	35.94	33.46	35.04	23.03	10.15	58.07	30.83	20.20	31.06	8.66	11.02			



NOTE.

The shape and appearance of assembly differ a little with nominal size compared to this drawing.

3a	STABILIZATION RING	2	STAINLESS STEEL (SUS304)	
2a	INSERTED METAL OF DISC	1	DUCTILE IRON (FCD450)	
1a	INSERTED METAL OF BODY	1	DUCTILE IRON (FCD450)	
24	BUSH (B)	1	BRONZE CASTING (BC6)	
23	BUSH (A)	1	BRONZE CASTING (BC6)	
22	THRUST	1	BRONZE CASTING (BC6)	
21	STEM	1	STAINLESS STEEL (SUS403)	
20	ACTUATOR	1	DUCTILE IRON (FCD450) etc.	Tar Epoxy Coat.
18	BOLT (B)	8	STAINLESS STEEL (SUS304)	
17	GASKET (B)	1	NONAS SHEET	
15	BOLT (A)	6	STAINLESS STEEL (SUS304)	
14	STEM HOLDER (A)	1	STAINLESS STEEL (SUS304)	
13	GASKET (A)	1	NONAS SHEET	
11	KEY (B)	1	CORBON STEEL (S45C)	
10	KEY (A)	1	CORBON STEEL (S45C)	
7	O-RING (D)	1	NBR	
6	O-RING (C)	1	NBR	
5	O-RING (B)	2	EPDM	
4	O-RING (A)	8	EPDM	
3	SEAT	1	EPDM	
2	DISC	1	PDCPD	
1	BODY	1	PDCPD	

No.	DESCRIPTION	QTY.	MATERIAL	REMARKS
ITEM	PDCPD BUTTERFLY VALVE ELECTRIC ACTUATED S TYPE ASS'Y AUTO-RECOVERY TYPE ANSI Class 125·150 44" (1100mm), 48" (1200mm)			
DRAWN	E.Ozaki	DATE	SCALE	
CHECKED	H.Kawano	FEB.22.2016	DRAWING No.	
APPROVED	H.Kouroggi	RI-AE004AE		3

SPECIAL ORDER No. **ASAHI YUKIZAI CORPORATION**