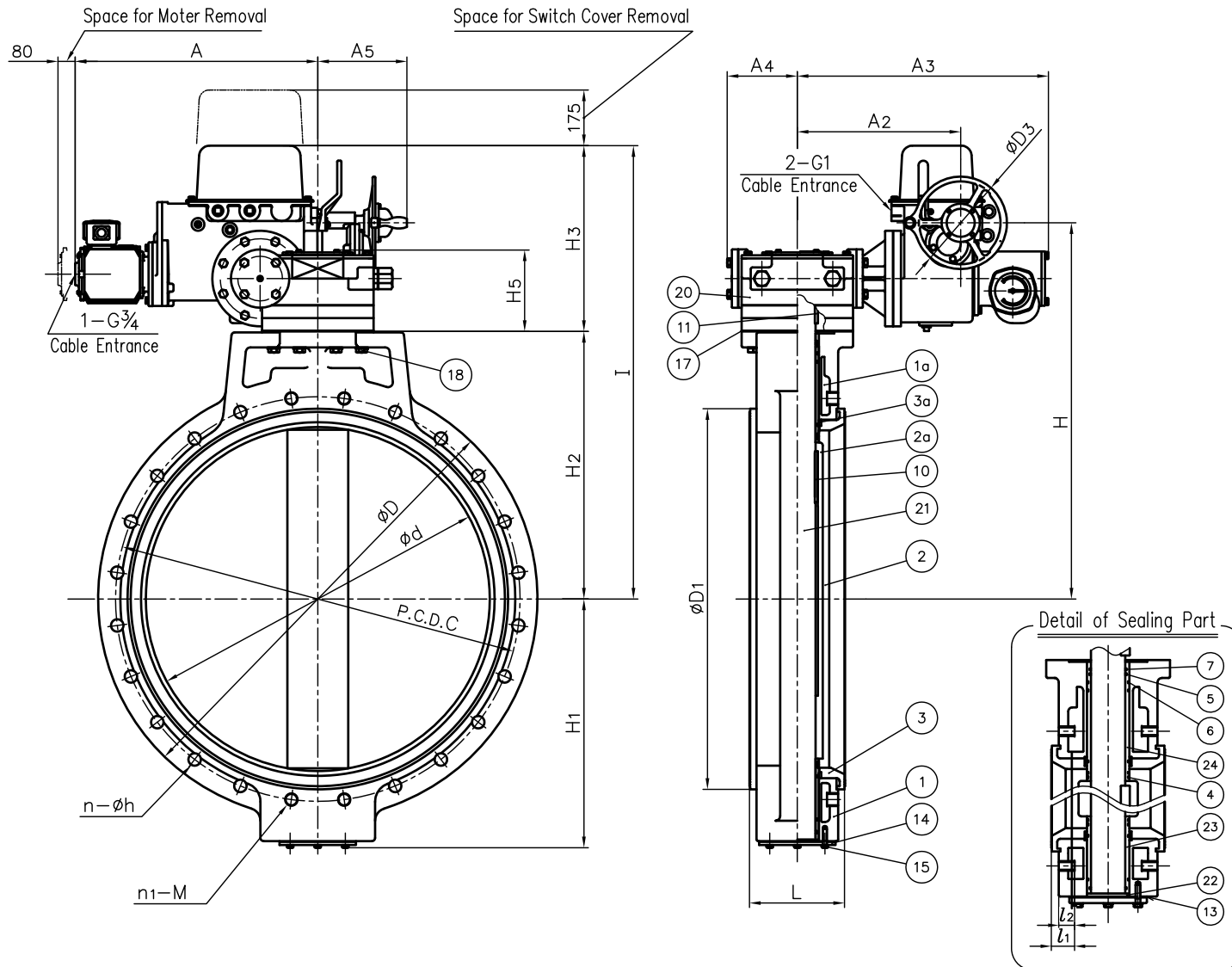


DIMENSIONS TABLE

UNIT :mm

NOMINAL SIZE	d	ANSI Class 125										ANSI Class 150																				ACTUATOR TYPE			
		C	h	N Number of Standard Bolt Holes	n Number of Through Bolt Holes	n1 Screw Holes		M	l1	l2	C	h	N Number of Standard Bolt Holes	n Number of Through Bolt Holes	n1 Screw Holes		M	l1	l2	D	D1	D3	L	H	H1	H2	H3	H5	I	A	A2		A3	A4	A5
1100mm 44"	1080	-	-	-	-	-	-	-	-	-	1314	41	40	36	4	8	1½	71	49	1380	1195	290	300	883	780	840	585	258	1425	783	513	789	220	280	LTMD-1/BRM-18
1200	48	1170	1422.4	41	44	40	4	8	1½	87	65	1422.4	41	44	40	4	8	1½	87	65	1488	1300	290	350	913	850	890	585	258	1475	783	513	789	220	



NOTE.

The shape and appearance of assembly differ a little with nominal size compared to this drawing.

No.	DESCRIPTION	QTY.	MATERIAL	REMARKS
3a	STABILIZATION RING	2	STAINLESS STEEL (SUS304)	
2a	INSERTED METAL OF DISC	1	DUCTILE IRON (FCD450)	
1a	INSERTED METAL OF BODY	1	DUCTILE IRON (FCD450)	
24	BUSH (B)	1	BRONZE CASTING (BC6)	
23	BUSH (A)	1	BRONZE CASTING (BC6)	
22	THRUST	1	BRONZE CASTING (BC6)	
21	STEM	1	STAINLESS STEEL (SUS403)	
20	ACTUATOR	1	DUCTILE IRON (FCD450) etc.	Tar Epoxy Coat.
18	BOLT (B)	8	STAINLESS STEEL (SUS304)	
17	GASKET (B)	1	NONAS SHEET	
15	BOLT (A)	6	STAINLESS STEEL (SUS304)	
14	STEM HOLDER (A)	1	STAINLESS STEEL (SUS304)	
13	GASKET (A)	1	NONAS SHEET	
11	KEY (B)	1	CORBON STEEL (S45C)	
10	KEY (A)	1	CORBON STEEL (S45C)	
7	O-RING (D)	1	NBR	
6	O-RING (C)	1	NBR	
5	O-RING (B)	2	EPDM	
4	O-RING (A)	8	EPDM	
3	SEAT	1	EPDM	
2	DISC	1	PDCPD	
1	BODY	1	PDCPD	

ITEM	PDCPD BUTTERFLY VALVE ELECTRIC ACTUATED S TYPE ASSY AUTO-RECOVERY TYPE ANSI Class 125-150 1100mm (44"), 1200mm (48")		
DRAWN	M.Iwakiri	DATE	SCALE
CHECKED	H.Kawano	SEP.5.2019	
APPROVED	K.Koushou	DRAWING No. RI-AE004AEm	
SPECIAL ORDER No.	ASAHI YUKIZAI CORPORATION		