

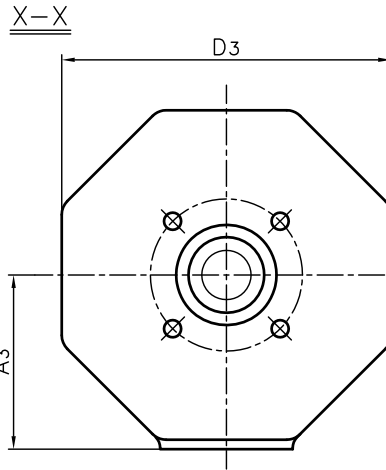
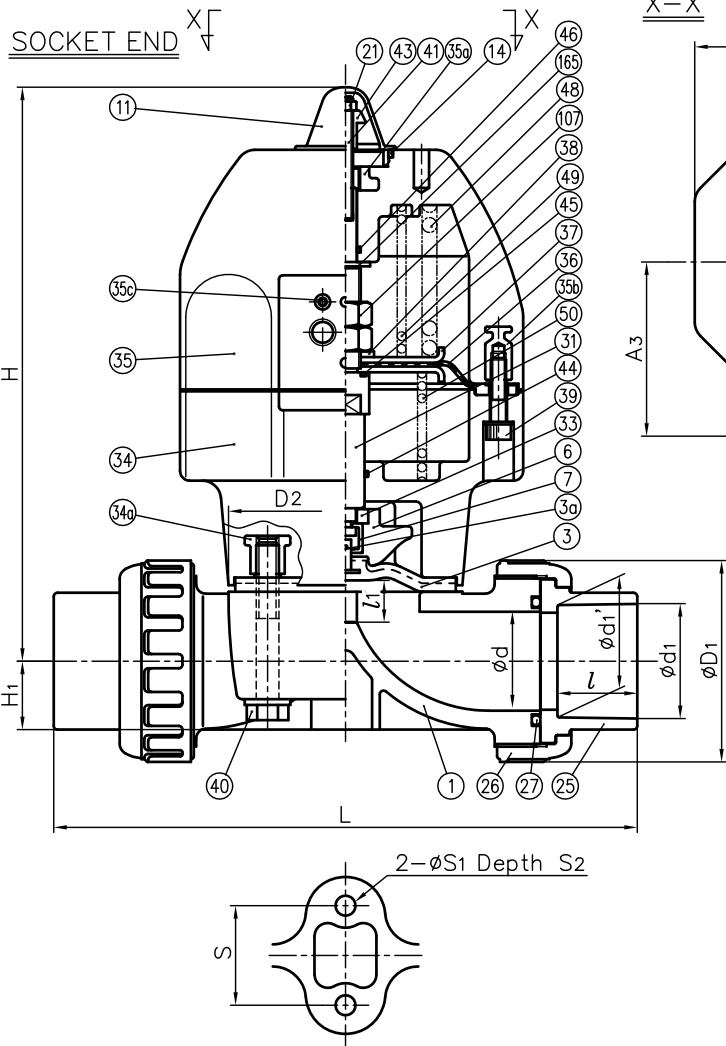
DIMENSIONS TABLE

UNIT: inch

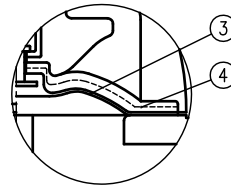
NOMINAL SIZE	d	SOCKET END							THREADED END														
		PVC, C-PVC				PP, PVDF (IPS)			d2	l	L		D1	D2	D3	l1 (UFT)	H	H1	A3	S	S1	S2	
		ASTM SCH80		l	L	d1	l	L			C-PVC	PP											
1/2"	15mm	0.63	0.848						0.836	0.875			5.47	0.83	0.87	5.43	1/2 - 14 NPT	0.59	5.04	5.04	1.89	2.13 x 2.60	5.12
3/4"	20	0.79	1.058	1.046	1.000	6.18	1.03	1.00	6.09	3/4 - 14 NPT	0.67	5.83	5.83	2.36	2.13 x 2.60	5.12	0.39	7.40	0.69	2.68	0.98	0.28	0.51
1"	25	0.98	1.325	1.310	1.125	7.32	1.30	1.13	7.24	1 - 11 1/2 NPT	0.79	6.77	6.77	2.76	2.64 x 3.15	5.12	0.47	7.60	0.73	2.68	0.98	0.28	0.51
1 1/4"	32	1.26	1.670	1.655	1.250	7.95	1.65	1.25	7.80	1 1/4 - 11 1/2 NPT	0.87	7.40	7.40	3.23	2.64 x 3.15	5.12	0.47	7.76	0.89	2.68	0.98	0.28	0.51
1 1/2"	40	1.57	1.912	1.894	1.375	10.47	1.89	1.37	10.28	1 1/2 - 11 1/2 NPT	0.98	9.65	9.65	3.94	4.25 x 4.25	6.85	0.83	11.54	1.08	3.62	1.77	0.35	0.59
2"	50	2.05	2.387	2.369	1.500	11.54	2.36	1.50	11.54	2 - 11 1/2 NPT	1.10	11.06	10.95	4.17	4.84 x 4.84	6.85	0.98	11.89	1.42	3.62	1.77	0.35	0.59

NOTE.

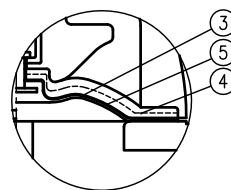
- Operation of permission pressure: 0.4~0.6MPa G
Air to open : 1"~2" : 0.45~0.6MPa G (only fluid pressure is 0)
- Double Acting : Valve open : Port (a) Exhaust Port (b) Supply
Valve shut : Port (a) Supply Port (b) Exhaust
Air To Open : Valve open : Port (b) Supply
Valve shut : Port (b) Exhaust
Air To Shut : Valve open : Port (a) Exhaust
Valve shut : Port (a) Supply
- Diaphragms except EPDM and PTFE are available in FKM, VIFLON-C (FKM-C), VIFLON-F (FKM-F), CSM and NBR when required. The shape and appearance of assembly differ a little with nominal size compared to this drawing.



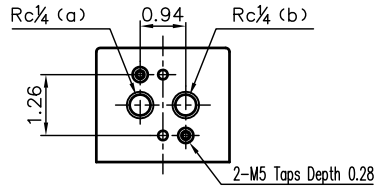
In Case Material of Diaphragm is PTFE



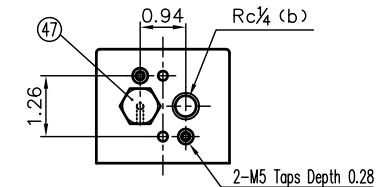
In Case Material of Diaphragm is PTFE with Cushion Cover



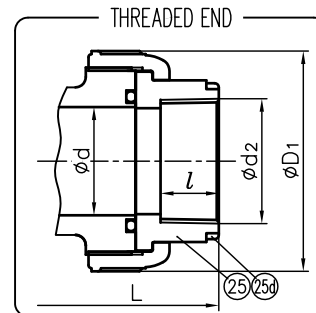
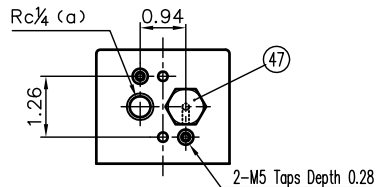
Face of Air Supply (Double Acting)



Face of Air Supply (Air to Open)



Face of Air Supply (Air to Shut)



25d	RING	2	STAINLESS STEEL (SUS304)	Used for C-PVC Body, Threaded End : 1/2~1"
165	WASHER	1	STAINLESS STEEL	SUS304
107	LOCK NUT	2	STAINLESS STEEL	SUS304
50	SPRING (C)	1	SPRING STEEL (SWOSM-B)	Used for Air to Shut
49	SPRING (B)	1	SPRING STEEL (SWOSM-B)	Used for Air to Open
48	SPRING (A)	1	SPRING STEEL (SWOSM-B)	Used for Air to Open
47	NIPPLE	1	COPPER ALLOY (C3604)	Used for Air to Shut and Air to Open
46	O-RING (F)	1	NBR	
45	O-RING (E)	1	NBR	
44	O-RING (D)	1	NBR	
43	STOPPER	1	STAINLESS STEEL	SUS304
41	INDICATING LOD	1	STAINLESS STEEL	SUS304
40	BOLT (B)	4	STAINLESS STEEL	SUS304
39	BOLT (A)	8	STAINLESS STEEL	SUS304
38	CONICAL SPRING WASHER (B)	1	STAINLESS STEEL	SUS304
37	CYLINDER DIAPHRAGM PLATE	2	STAINLESS STEEL	SUS304
36	CYLINDER DIAPHRAGM	1	NBR	
35c	SCREWED METAL OF CYLINDER BONNET	2	STAINLESS STEEL	SUS303
35b	INSERTED METAL OF CYLINDER BONNET (B)	8	COPPER ALLOY	C3604
35a	INSERTED METAL OF CYLINDER BONNET (A)	1	STAINLESS STEEL	SUS304
35	CYLINDER BONNET	1	PPG	
34a	INSERTED METAL OF CYLINDER BODY	4	COPPER ALLOY	C3604
34	CYLINDER BODY	1	PPG	
33	COMPRESSOR PUSHING PLATE	1	COPPER ALLOY	C3604
31	STEM	1	COPPER ALLOY	C3604
27	O-RING (C)	2	EPDM Others ()	
21	NUT	1	STAINLESS STEEL	SUS304
14	O-RING (A)	1	EPDM	
11	GAUGE COVER	1	PC	
7	JOINT	1	STAINLESS STEEL	SUS304
6	COMPRESSOR	1	PVDF	
5	CUSHION COVER	1	Nothing PVDF	Used for PTFE Diaphragm
4	CUSHION	1	EPDM	
3a	INSERTED METAL OF DIAPHRAGM	1	STAINLESS STEEL	SUS304
3	DIAPHRAGM	1	EPDM PTFE Others ()	
26	UNION NUT	2	PVC	
25	END CONNECTOR	2	C-PVC PP PVDF	
1	BODY	1	PVDF	

No.	DESCRIPTION	QTY.	MATERIAL	REMARKS
ITEM	T.U. DIAPHRAGM VALVE (TYPE14) PNEUMATIC ACTUATED MODEL TYPE AN ASSY □DOUBLE ACTING, □AIR TO OPEN, □AIR TO SHUT ANSI : □SOCKET END, □THREADED END 1/2" (15mm) ~ 2" (50mm)			
DRAWN	E.Emmei	DATE	SCALE	
CHECKED	H.Kawano	FEB.12.2019		
APPROVED	K.Koushou	DRAWING No.		
		T1-AA001AE		
SPECIAL ORDER No.	ASAHI YUKIZAI CORPORATION			