

DIMENSIONS TABLE

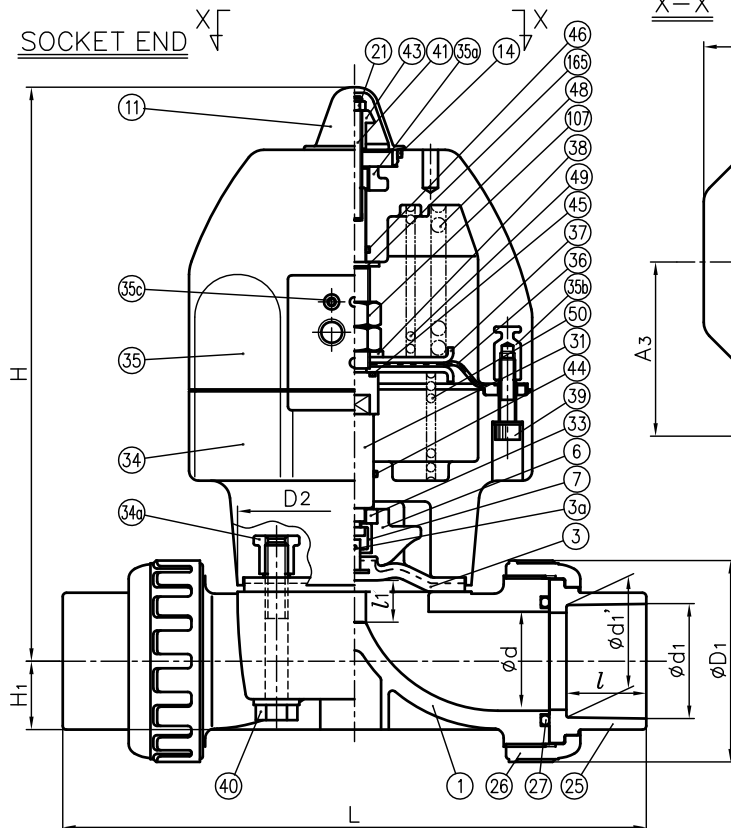
UNIT: mm

NOMINAL SIZE	d	SOCKET END								THREADED END													
		PVC,C-PVC				PP,PVDF (IPS)				d2	l	L	D1	D2	D3	l1 (LIFT)	H	H1	A3	S	S1	S2	
		ASTM SCH80		l	L	d1	l	L	C-PVC														PVDF
		d1	d1'																				
15mm	1/2"	16	21.54	21.23	22.23	139	21.08	22.2	138	1/2-14 NPT	15	128	128	48	54x66	100	10	186	19.5	68	25	7	13
20	3/4"	20	26.87	26.57	25.4	157	26.16	25.4	155	3/4-14 NPT	17	148	148	60	54x66	100	10	188	17.5	68	25	7	13
25	1	25	33.66	33.27	28.58	186	33.02	28.6	184	1-11/2 NPT	20	172	172	70	67x80	100	12	193	18.5	68	25	7	13
32	1 1/4	32	42.42	42.04	31.75	202	41.91	31.75	198	1 1/4-11/2 NPT	22	188	188	82	67x80	100	12	197	22.5	68	25	7	13
40	1 1/2	40	48.56	48.11	34.93	266	48.01	34.90	261	1 1/2-11/2 NPT	25	245	245	100	108x108	156	21	293	27.5	92	45	9	15
50	2	52	60.63	60.17	38.1	293	59.94	38.1	293	2-11/2 NPT	28	281	278	106	123x123	156	25	302	36	92	45	9	15

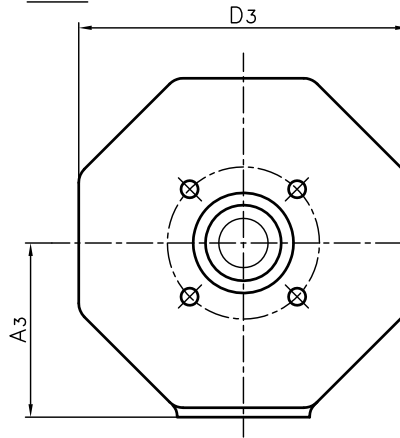
NOTE.

- Operation of permission pressure: 0.4~0.6MPa G
- Air to open : 25~50mm : 0.45~0.6MPa G (only fluid pressure is 0)
 - Double Acting : Valve open : Port (a) Exhaust Port (b) Supply Valve shut : Port (a) Supply Port (b) Exhaust
 - Air To Open : Valve open : Port (a) Supply Valve shut : Port (b) Exhaust
 - Air To Shut : Valve open : Port (a) Exhaust Valve shut : Port (a) Supply
- Diaphragms except EPDM and PTFE are available in FKM, VIFLON-C (FKM-C), VIFLON-F (FKM-F), CSM and NBR when required. The shape and appearance of assembly differ a little with nominal size compared to this drawing.

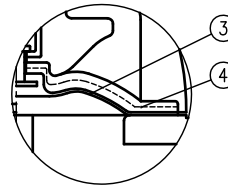
SOCKET END



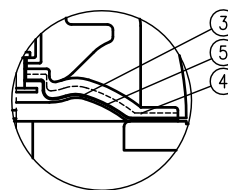
X-X



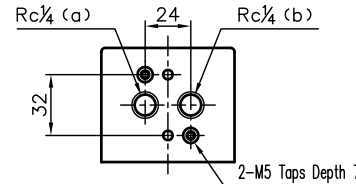
In Case Material of Diaphragm is PTFE



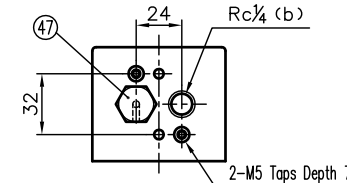
In Case Material of Diaphragm is PTFE with Cushion Cover



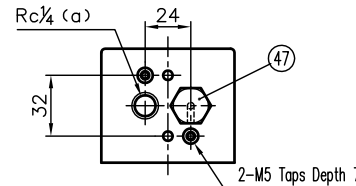
Face of Air Supply (Double Acting)



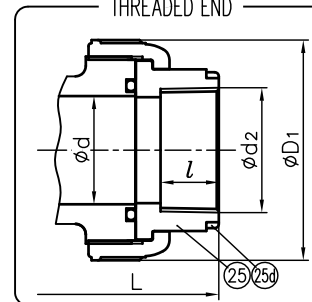
Face of Air Supply (Air to Open)



Face of Air Supply (Air to Shut)



THREADED END



25d	RING	2	STAINLESS STEEL (SUS304)	Used for C-PVC Body, Threaded End : 15~25mm
165	WASHER	1	STAINLESS STEEL	SUS304
107	LOCK NUT	2	STAINLESS STEEL	SUS304
50	SPRING (C)	1	SPRING STEEL (SWOSM-B)	Used for Air to Shut
49	SPRING (B)	1	SPRING STEEL (SWOSM-B)	Used for Air to Open
48	SPRING (A)	1	SPRING STEEL (SWOSM-B)	Used for Air to Open
47	NIPPLE	1	COPPER ALLOY (C3604)	Used for Air to Shut and Air to Open
46	O-RING (F)	1	NBR	
45	O-RING (E)	1	NBR	
44	O-RING (D)	1	NBR	
43	STOPPER	1	STAINLESS STEEL	SUS304
41	INDICATING LOD	1	STAINLESS STEEL	SUS304
40	BOLT (B)	4	STAINLESS STEEL	SUS304
39	BOLT (A)	8	STAINLESS STEEL	SUS304
38	CONICAL SPRING WASHER (B)	1	STAINLESS STEEL	SUS304
37	CYLINDER DIAPHRAGM PLATE	2	STAINLESS STEEL	SUS304
36	CYLINDER DIAPHRAGM	1	NBR	
35c	SCREWED METAL OF CYLINDER BONNET	2	STAINLESS STEEL	SUS303
35b	INSERTED METAL OF CYLINDER BONNET (A)	8	COPPER ALLOY	C3604
35a	INSERTED METAL OF CYLINDER BONNET (B)	1	STAINLESS STEEL	SUS304
35	CYLINDER BONNET	1	PPG	
34a	INSERTED METAL OF CYLINDER BODY	4	COPPER ALLOY	C3604
34	CYLINDER BODY	1	PPG	
33	COMPRESSOR PUSHING PLATE	1	COPPER ALLOY	C3604
31	STEM	1	COPPER ALLOY	C3604
27	O-RING (C)	2	□EPDM □Others ()	
21	NUT	1	STAINLESS STEEL	SUS304
14	O-RING (A)	1	EPDM	
11	GAUGE COVER	1	PC	
7	JOINT	1	STAINLESS STEEL	SUS304
6	COMPRESSOR	1	PVDF	
5	CUSHION COVER	1	□Nothing □PVDF	Used for PTFE Diaphragm
4	CUSHION	1	EPDM	
3a	INSERTED METAL OF DIAPHRAGM	1	STAINLESS STEEL	SUS304
3	DIAPHRAGM	1	□EPDM □PTFE □Others ()	
26	UNION NUT	2	PVC	
25	END CONNECTOR	2	□C-PVC □PP □PVDF	
1	BODY	1	□PVDF	

No.	DESCRIPTION	QTY.	MATERIAL	REMARKS
ITEM	T.U. DIAPHRAGM VALVE (TYPE14) PNEUMATIC ACTUATED MODEL TYPE AN ASSY □DOUBLE ACTING, □AIR TO OPEN, □AIR TO SHUT ANSI : □SOCKET END, □THREADED END 15mm (1/2") ~ 50mm (2")			
DRAWN	E.Ozaki	DATE	MAY.15.2019	SCALE
CHECKED	H.Kawano	DRAWING No.		
APPROVED	K.Koushou	T1-AA001AEm		
SPECIAL ORDER No.	ASAHI YUKIZAI CORPORATION			