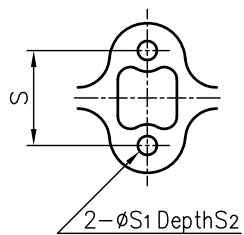
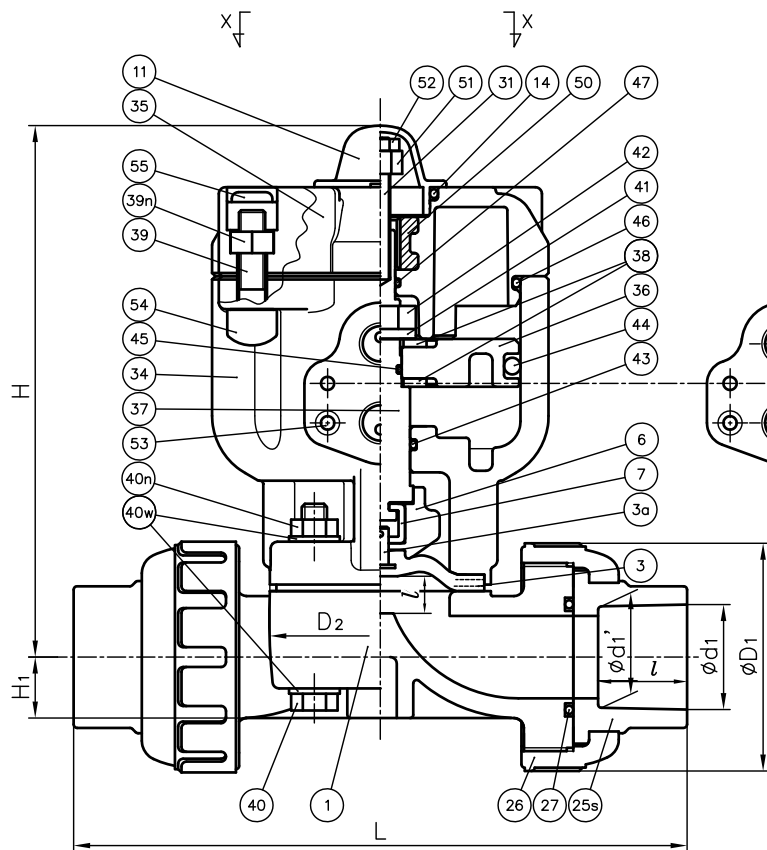


DIMENSIONS TABLE

Unit : inch

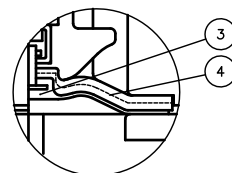
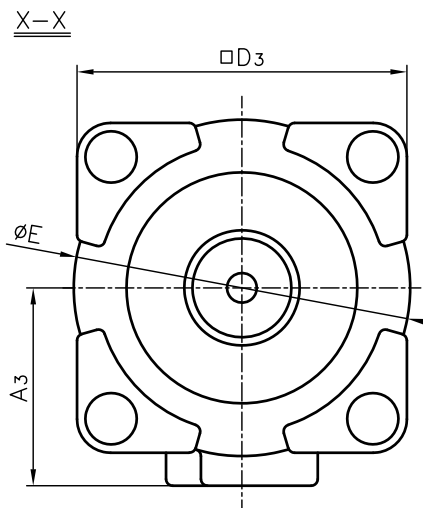
Nominal Size	SOCKET END									THREADED END													
	PVC,C-PVC					PP,PVDF (IPS)				d ₂	l	L	D ₁	D ₂	D ₃	E	l (LIFT)	H	H ₁	A ₃	S	S ₁	S ₂
	d	d ₁	d ₁ '	l	L	d ₁	l	L															
1/2"	15mm	0.63	0.848	0.836	0.875	5.47	0.83	0.87	5.43	1/2-14NPT	0.59	5.04	1.89	2.13x2.60	3.58	3.70	0.31	5.71	0.77	2.17	0.98	0.28	0.51
3/4"	20	0.79	1.058	1.046	1.000	6.18	1.03	1.00	6.09	3/4-14NPT	0.67	5.83	2.36	2.36x2.91	3.58	3.70	0.31	6.02	0.69	2.17	0.98	0.28	0.51
1"	25	0.98	1.325	1.310	1.125	7.32	1.30	1.13	7.24	1-11 1/2NPT	0.79	6.77	2.76	2.64x3.15	3.94	4.02	0.39	6.34	0.73	2.36	0.98	0.28	0.51
1 1/4"	32	1.26	1.670	1.655	1.250	7.95	1.65	1.25	7.80	1 1/4-11 1/2NPT	0.87	7.40	3.23	2.64x3.15	3.94	4.02	0.39	6.50	0.89	2.36	0.98	0.28	0.51

SOCKET END

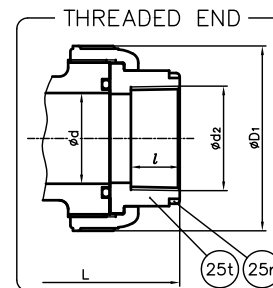


NOTE.

1. Operation of permission pressure: 0.4~0.6MPa G
2. Double Acting: Valve open: Port (a) Exhaust Port (b) Supply
Valve shut: Port (a) Supply Port (b) Exhaust
3. The shape and appearance of assembly differ a little with nominal size compared to this drawing.



In case Material of Diaphragm is PTFE



25r	RING FOR END CONNECTOR (THREADED END)	2	STAINLESS STEEL (SUS304)	Used for C-PVC Body, Threaded End: 1/2"-1"
55	CAP	4	EPDM	Blue
54	CAP FOR HEXAGON SOCKET HEAD CAP SCREWS	4	PVC	
53	INSERTED METAL OF CYLINDER BODY	2	STAINLESS STEEL (SUS304)	
52	NUT (No.52)	1	STAINLESS STEEL (SUS304)	
51	STOPPER FOR PNEUMATIC ACTUATOR	1	STAINLESS STEEL (SUS304)	
50	INSERTED METAL OF CYLINDER COVER	1	STAINLESS STEEL (SUS304)	
47	O-RING (No.47)	1	NBR	
46	O-RING (No.46)	1	NBR	
45	O-RING (No.45)	1	NBR	
44	O-RING (No.44)	1	NBR	
43	O-RING (No.43)	1	NBR	
42	NUT (No.42)	1	STAINLESS STEEL (SUS304)	
41	SPRING WASHER	1	STAINLESS STEEL (SUS304)	
40n	NUT (No.40)	4	STAINLESS STEEL (SUS304)	
40w	WASHER (No.40)	8	STAINLESS STEEL (SUS304)	
40	BOLT (No.40)	4	STAINLESS STEEL (SUS304)	
39n	NUT (No.39)	4	STAINLESS STEEL (SUS304)	
39	HEXAGON SOCKET HEAD CAP SCREWS	4	STAINLESS STEEL (SUS304)	
38	WASHER (No.38)	2	STAINLESS STEEL (SUS304)	
37	STEM FOR PNEUMATIC ACTUATOR	1	COPPER ALLOY (C3604)	
36	PISTON	1	PPG	
35	CYLINDER COVER	1	PPG	
34	CYLINDER BODY	1	PPG	
31	INDICATOR ROD	1	STAINLESS STEEL (SUS304)	
27	O-RING (No.27)	2	phi EPDM phi Others ()	
14	O-RING (No.14)	1	EPDM	
11	GAUGE COVER	1	PC	
7	JOINT	1	STAINLESS STEEL (SUS304)	
6	COMPRESSOR	1	PVDF	
4	CUSHION	1	EPDM	used for PTFE diaphragm
3a	INSERTED METAL OF DIAPHRAGM	1	STAINLESS STEEL (SUS304)	
3	DIAPHRAGM	1	phi EPDM phi PTFE phi Others ()	
26	UNION NUT	2	phi PVC phi C-PVC	
25t	END CONNECTOR (THREADED END)	2	phi C-PVC	
25s	END CONNECTOR (SOCKET END)	2	phi PP phi PVDF	
1	BODY	1		
No.	DESCRIPTION	QTY.	MATERIAL	REMARKS

ITEM	T.U. DIAPHRAGM VALVE PNEUMATIC ACTUATED MODEL TYPE AI ASS'Y DOUBLE ACTING ANSI : phi SOCKET END, phi THREADED END 1/2" (15mm) ~ 1 1/4" (32mm)			
DRAWN	E.Emmei	DATE	SCALE	
CHECKED	H.Kawano	DEC.19.2018		
APPROVED	K.Koushou	DRAWING No.		
		T1-AA029AE		
SPECIAL ORDER No.	ASAHI YUKIZAI CORPORATION			