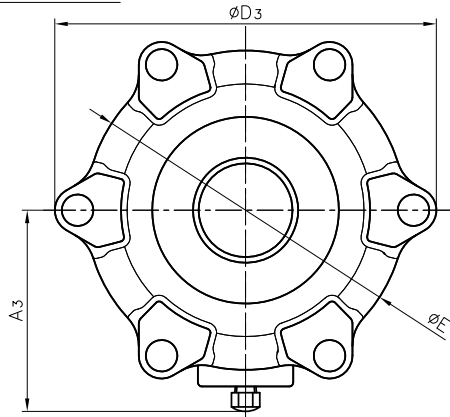


SOCKET END



DIMENSIONS TABLE

Nominal Size	d	SOCKET END						THREADED END					
		PVC,C-PVC			PP,PVDF(IPS)			d2	l	L			
		d1	d1'	l	L	d1	l			L	PVC C-PVC	PP PVDF	
40mm 1½"	40	48.56	48.11	34.93	266	48.01	34.9	261	1½ - 11½NPT	25	245	245	
50	51	60.63	60.17	38.1	293	59.94	38.1	293	2 - 11½NPT	28	281	278	

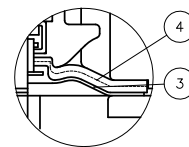
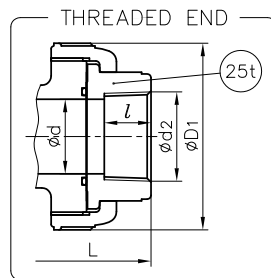
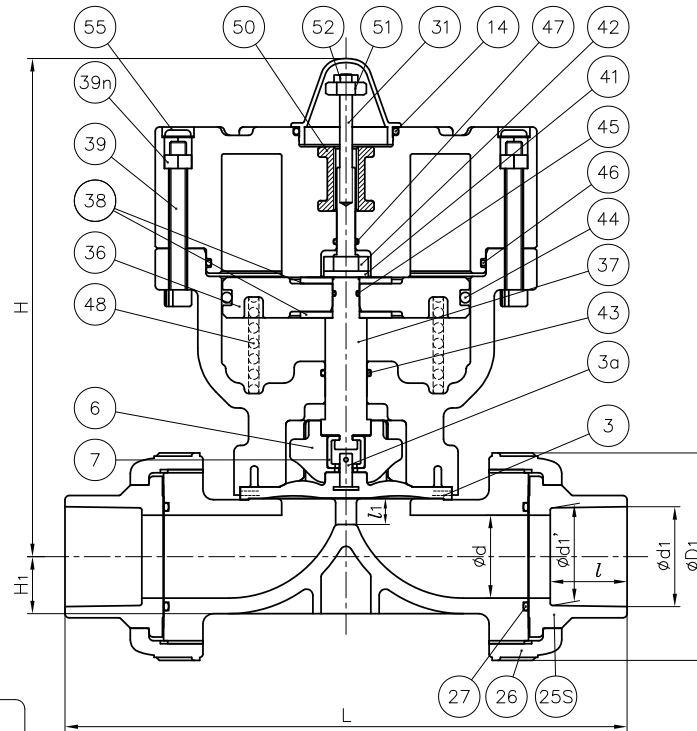
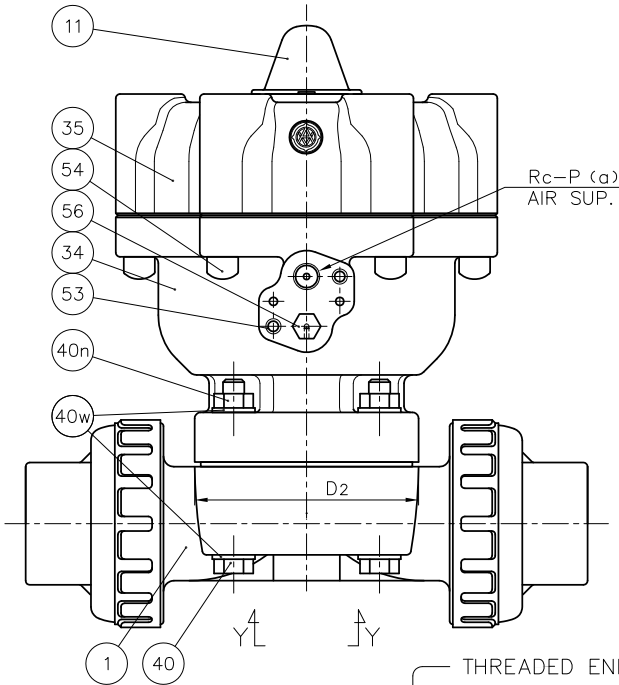
Unit : mm

Nominal Size	D1	D2	D3	E	l1 (LIFT)	H	H1	A3	S	S1	S2	P
40mm 1½"	100	108x108	184	154	18	238	27.5	97	45	9	15	¼
50	106	123x123	184	154	20	254	36	97	45	9	15	¼

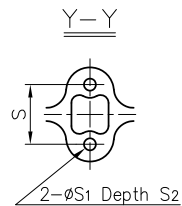
NOTE.

- Operation of permission pressure : 0.4~0.6MPa G
- Air To Shut : Valve open : Port (a) Exhaust  
Valve shut : Port (a) Supply
- The shape and appearance of assembly differ a little with nominal size compared to this drawing.

56	NIPPLE	1	COPPER ALLOY (C3604)	
55	CAP	6	EPDM	Blue
54	CAP FOR HEXAGON SOCKET HEAD CAP SCREWS	6	PVC	
53	INSERTED METAL OF CYLINDER BODY	2	STAINLESS STEEL (SUS304)	
52	NUT (No.52)	1	STAINLESS STEEL (SUS304)	
51	STOPPER FOR PNEUMATIC ACTUATOR	1	STAINLESS STEEL (SUS304)	
50	INSERTED METAL OF CYLINDER COVER	1	STAINLESS STEEL (SUS304)	
48	SPRING	1	SWOSM-B	
47	O-RING (No.47)	1	NBR	
46	O-RING (No.46)	1	NBR	
45	O-RING (No.45)	1	NBR	
44	O-RING (No.44)	1	NBR	
43	O-RING (No.43)	1	NBR	
42	NUT (No.42)	1	STAINLESS STEEL (SUS304)	
41	SPRING WASHER	1	STAINLESS STEEL (SUS304)	
40n	NUT (No.40)	4	STAINLESS STEEL (SUS304)	
40w	WASHER (No.40)	8	STAINLESS STEEL (SUS304)	
40	BOLT (No.40)	4	STAINLESS STEEL (SUS304)	
39n	NUT (No.39)	6	STAINLESS STEEL (SUS304)	
39	BOLT (No.39)	6	STAINLESS STEEL (SUS304)	
38	WASHER (No.38)	2	STAINLESS STEEL (SUS304)	
37	STEM FOR PNEUMATIC ACTUATOR	1	COPPER ALLOY (C3604)	
36	PISTON	1	PPG	
35	CYLINDER COVER	1	PPG	
34	CYLINDER BODY	1	PPG	
31	INDICATOR ROD	1	STAINLESS STEEL (SUS304)	
27	O-RING (No.27)	2	□EPDM □Others ( )	
14	O-RING (No.14)	1	EPDM	
11	GAUGE COVER	1	PC	
7	JOINT	1	STAINLESS STEEL (SUS304)	
6	COMPRESSOR	1	PVDF	
4	CUSHION	1	EPDM	used for PTFE diaphragm
3a	INSERTED METAL OF DIAPHRAGM	1	STAINLESS STEEL (SUS304)	
3	DIAPHRAGM	1	□EPDM □PTFE □Others ( )	
26	UNION NUT	2		
25t	END CONNECTOR (THREADED END)	2	□PVC □C-PVC	
25s	END CONNECTOR (SOCKET END)	2	□PP □PVDF	
1	BODY	1		
No.	DESCRIPTION	QTY.	MATERIAL	REMARKS



In case Material of Diaphragm is PTFE



ITEM	T.U.DIAPHRAGM VALVE PNEUMATIC ACTUATED MODEL TYPE AI ASSY AIR TO SHUT ANSI : □SOCKET END, □THREADED END 40mm (1½") · 50mm (2")		
DRAWN	M.Iwakiri	DATE	SCALE
CHECKED	H.Kawano	MAY.21.2019	~
APPROVED	K.Koushou	DRAWING No. T1-AA033AEm	
SPECIAL ORDER No.	ASAHI YUKIZAI CORPORATION		