

DIMENSIONS TABLE

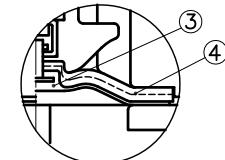
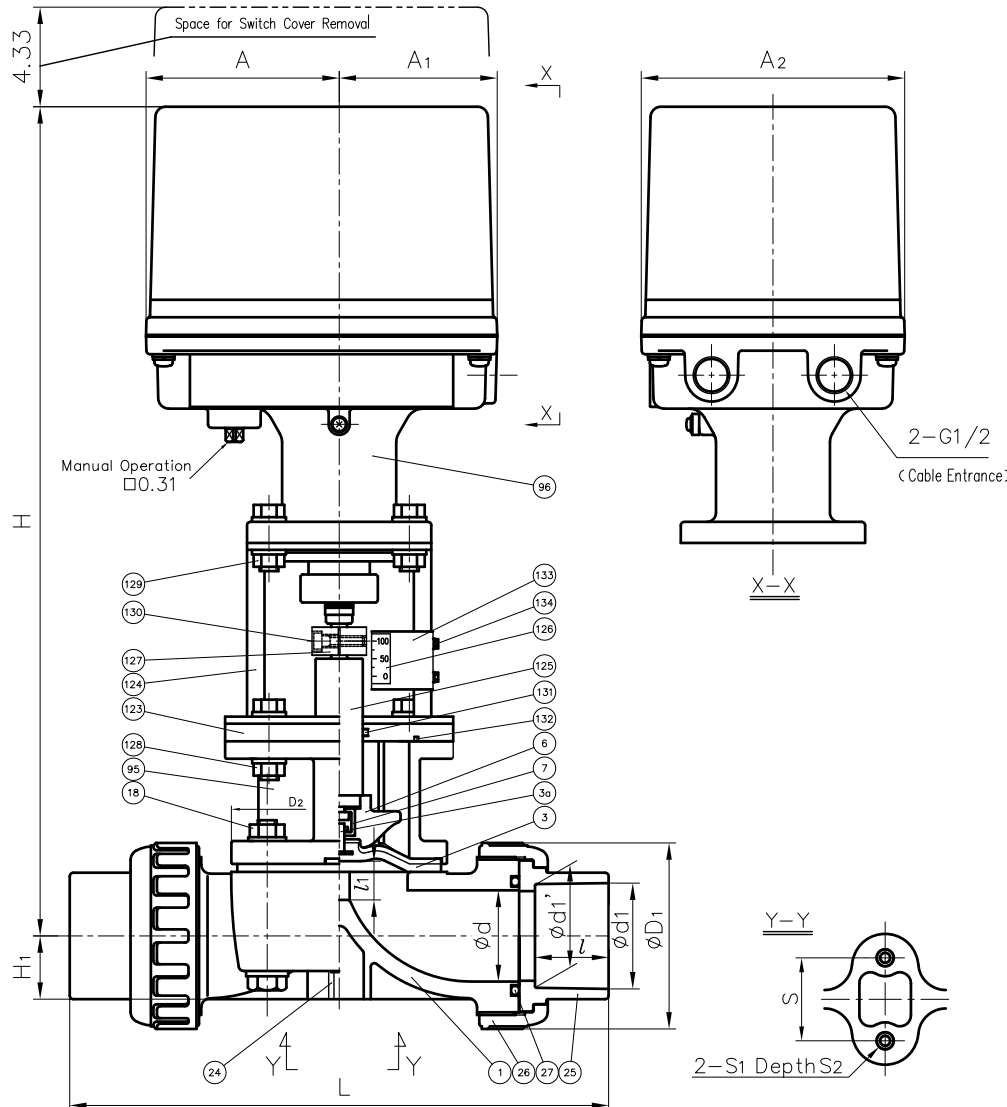
UNIT : inch

| NOMINAL SIZE | d | SOCKET END | | | | | | THREADED END | | | | | | | | | | | | | | ACTUATOR MODEL | | | |
|--------------|------|------------|-------|-------|--------------|-------|------|--------------|-------|--------------------|------|-------|-------|------|-----------|------|-------|------|------|------|------|----------------|----|------|-------|
| | | PVC,C-PVC | | | PP,PVDF(IPS) | | | d2 | L | L | L | L | L | L | L | L | L | L | L | L | L | | L | L | L |
| | | ASTM | SCH80 | | d1 | L | L | | | | | | | | | | | | | | | | | | |
| 1/2" | 15mm | 0.63 | 0.848 | 0.836 | 0.875 | 5.47 | 0.83 | 0.87 | 5.43 | 1/2 - 14 NPT | 0.59 | 5.04 | 5.04 | 1.89 | 2.13x2.60 | 0.39 | 15.98 | 0.77 | 3.98 | 3.19 | 5.51 | 0.98 | M5 | 0.39 | PSN-1 |
| 3/4" | 20 | 0.79 | 1.058 | 1.046 | 1.000 | 6.18 | 1.03 | 1.00 | 6.09 | 3/4 - 14 NPT | 0.67 | 5.83 | 5.83 | 2.36 | 2.13x2.60 | 0.39 | 16.06 | 0.69 | 3.98 | 3.19 | 5.51 | 0.98 | M5 | 0.39 | PSN-1 |
| 1" | 25 | 0.98 | 1.325 | 1.310 | 1.125 | 7.32 | 1.30 | 1.13 | 7.24 | 1 - 11 1/2 NPT | 0.79 | 6.77 | 6.77 | 2.76 | 2.64x3.15 | 0.47 | 16.26 | 0.73 | 3.98 | 3.19 | 5.51 | 0.98 | M5 | 0.39 | PSN-1 |
| 1 1/4" | 32 | 1.26 | 1.670 | 1.655 | 1.250 | 7.95 | 1.65 | 1.25 | 7.80 | 1 1/4 - 11 1/2 NPT | 0.87 | 7.40 | 7.40 | 3.23 | 2.64x3.15 | 0.47 | 16.38 | 0.89 | 3.98 | 3.19 | 5.51 | 0.98 | M5 | 0.39 | PSN-1 |
| 1 1/2" | 40 | 1.57 | 1.912 | 1.894 | 1.375 | 10.47 | 1.89 | 1.37 | 10.28 | 1 1/2 - 11 1/2 NPT | 0.98 | 9.65 | 9.65 | 3.94 | 4.25x4.25 | 0.83 | 18.27 | 1.08 | 4.33 | 3.54 | 5.91 | 1.77 | M6 | 0.55 | PSN-3 |
| 2" | 50 | 2.05 | 2.387 | 2.369 | 1.500 | 11.54 | 2.36 | 1.50 | 11.54 | 2 - 11 1/2 NPT | 1.10 | 11.06 | 10.95 | 4.17 | 5.04x5.04 | 0.98 | 18.62 | 1.42 | 4.33 | 3.54 | 5.91 | 1.77 | M6 | 0.55 | PSN-3 |

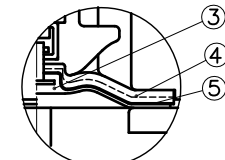
NOTE.

- Diaphragms except EPDM and PTFE are available in FKM,VIFLON-C (FKM-C),VIFLON-F (FKM-F), CSM and NBR when required.
- The shape and appearance of assembly differ a little with nominal size compared to this drawing.

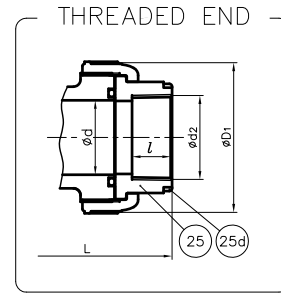
SOCKET END



In case material of diaphragm is PTFE



In case material of diaphragm is PTFE with cushion cover



| No. | DESCRIPTION | QTY. | MATERIAL | REMARKS |
|-----|-----------------------------|-------|--------------------------------|---|
| 25d | RING | 2 | STAINLESS STEEL (SUS304) | Used for C-PVC Body, Threaded End : 1/2" - 1" |
| 134 | SCREW (F) | 2 | STAINLESS STEEL (SUS304) | |
| 133 | INDICATOR PLATE | 1 | STAINLESS STEEL (SUS304) | |
| 132 | O-RING (K) | 1 | NBR | |
| 131 | O-RING (J) | 1 | NBR | |
| 130 | BOLT (F) | 2 | STAINLESS STEEL (SUS304) | |
| 129 | BOLTO · NUT (F) | 4Sets | STAINLESS STEEL (SUS304) | |
| 128 | BOLTO · NUT (E) | 4Sets | STAINLESS STEEL (SUS304) | |
| 127 | JOINT | 1 | COPPER ALLOY (C3604) | |
| 126 | INDICATOR SEAL | 1 | ACRYL | |
| 125 | STEM (D) | 1 | COPPER ALLOY (C3604) | |
| 124 | STAND (A) | 1 | STAINLESS STEEL (SUS304) | |
| 123 | SPACER (A) | 1 | PVC | |
| 96 | ACTUATOR | 1 | ALUMINIUM etc. | Acryl Coat |
| 95 | BONNET | 1 | CAST ALUMINIUM ALLOY (AC4A) | Epoxy Coat |
| 27 | O-RING (C) | 2 | □EPDM □Others () | |
| 24 | ENSAT FOR BODY | 2 | STAINLESS STEEL (SUS303) | |
| 18 | BOLT · NUT (A) | 4Sets | STAINLESS STEEL (SUS304) | |
| 7 | JOINT | 1 | STAINLESS STEEL (SUS304) | |
| 6 | COMPRESSOR | 1 | PVDF | |
| 5 | CUSHION COVER | 1 | □Noting □PVDF | Used for PTFE Diaphragm |
| 4 | CUSHION | 1 | EPDM | |
| 3a | INSERTED METAL OF DIAPHRAGM | 1 | STAINLESS STEEL (SUS304) | |
| 3 | DIAPHRAGM | 1 | □EPDM □PTFE □Others () | |
| 26 | UNION NUT | 2 | □PVC □C-PVC □PP □PVDF | |
| 25 | END CONNECTOR | 1 | | |
| 1 | BODY | 1 | | |

| | | | |
|-------------------|---|---------------------------|-------|
| ITEM | T.U.DIAPHRAGM VALVE (TYPE14) ELECTRIC MODEL TYPE M ASS'Y ANSI : □SOCKET END, □THREADED END 1/2" (15mm) ~ 2" (50mm) with E-P POSITIONER | | |
| DRAWN | E.Emmei | DATE | SCALE |
| CHECKED | H.Kawano | MAY.1.2023 | |
| APPROVED | K.Koushou | DRAWING No. T1-AE004AE | |
| SPECIAL ORDER No. | ASAHI YUKIZAI CORPORATION | | |