

DIMENSIONS TABLE

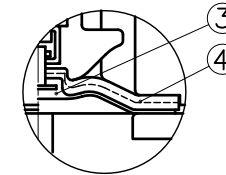
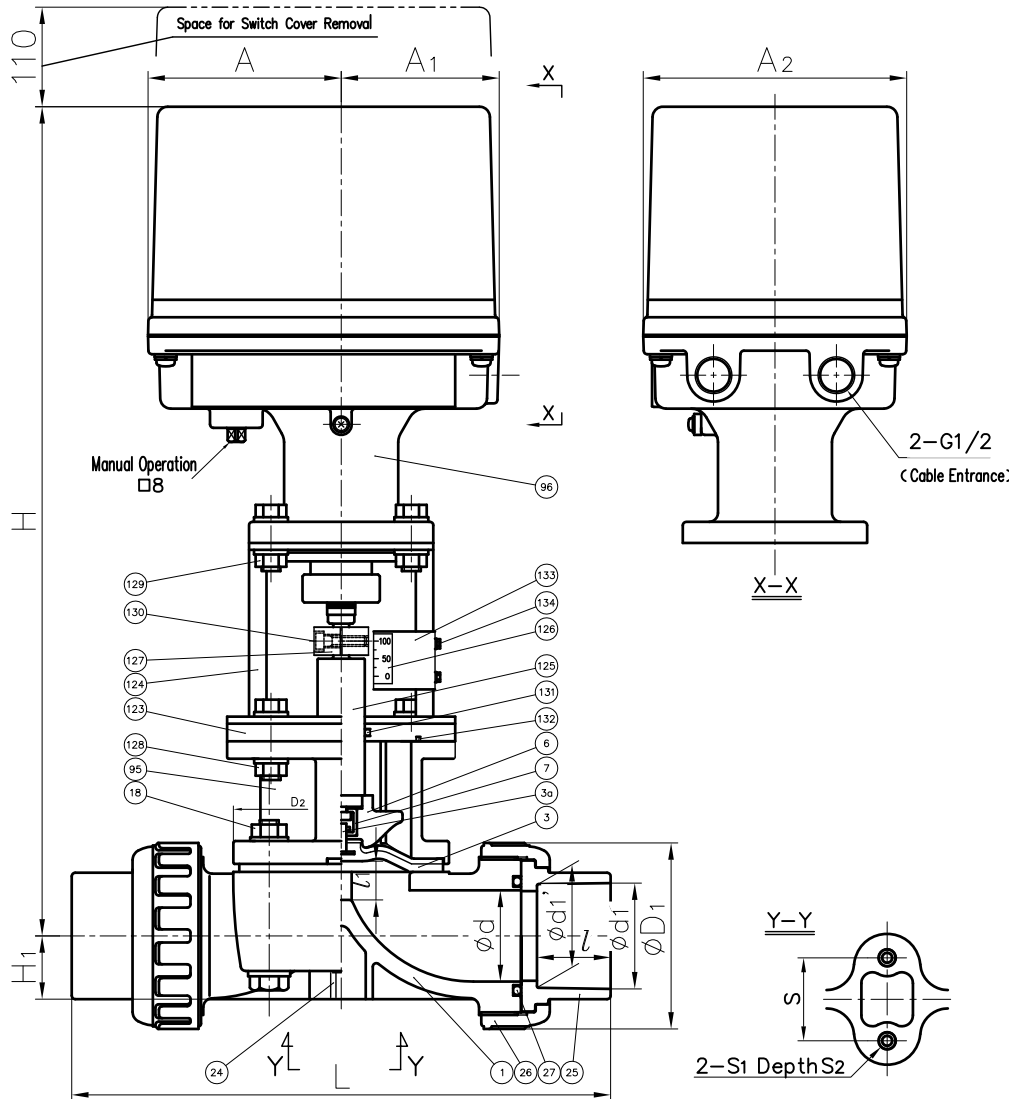
NOMINAL SIZE	d	SOCKET END							THREADED END											ACTUATOR MODEL					
		PVC,C-PVC				PP,PVDF(IPS)			d2	l	PVC C-PVC	PP PVDF	L	D1	D2	l1 (LIFT)	H	H1	A		A1	A2	S	S1	S2
		ASTM SCH80		L	d1	l	L																		
		d1	d1'																						
15mm 1/2"	16	21.54	21.23	22.23	139	21.08	22.2	138	1/2 - 14 NPT	15	128	128	48	54 x 66	10	406	19.5	101	81	140	25	M5	10	PSN-1	
20 3/4"	20	26.87	26.57	25.40	157	26.16	25.4	155	3/4 - 14 NPT	17	148	148	60	54 x 66	10	408	17.5	101	81	140	25	M5	10	PSN-1	
25 1"	25	33.66	33.27	28.58	186	33.02	28.6	184	1 - 11 1/2 NPT	20	172	172	70	67 x 80	12	413	18.5	101	81	140	25	M5	10	PSN-1	
32 1 1/4"	32	42.42	42.04	31.75	202	41.91	31.75	198	1 1/4 - 11 1/2 NPT	22	188	188	82	67 x 80	12	416	22.5	101	81	140	25	M5	10	PSN-1	
40 1 1/2"	40	48.56	48.11	34.93	266	48.01	34.90	261	1 1/2 - 11 1/2 NPT	25	245	245	100	110 x 110	21	464	27.5	110	90	150	45	M6	14	PSN-3	
50 2"	52	60.63	60.17	38.10	293	59.94	38.1	293	2 - 11 1/2 NPT	28	281	278	106	128 x 128	25	473	36.0	110	90	150	45	M6	14	PSN-3	

UNIT : mm

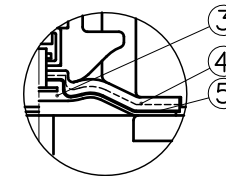
NOTE.

- Diaphragms except EPDM and PTFE are available in FKM,VIFLON-C (FKM-C), VIFLON-F (FKM-F), CSM and NBR when required.
- The shape and appearance of assembly differ a little with nominal size compared to this drawing.

SOCKET END

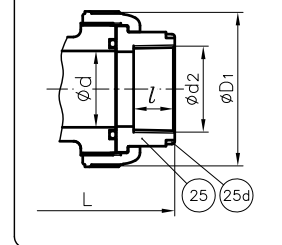


In case material of diaphragm is PTFE



In case material of diaphragm is PTFE with cushion cover

THREADED END



No.	DESCRIPTION	QTY.	MATERIAL	REMARKS
25d	RING	2	STAINLESS STEEL (SUS304)	Used for C-PVC Body, Threaded End : 15-25mm
134	SCREW (F)	2	STAINLESS STEEL (SUS304)	
133	INDICATOR PLATE	1	STAINLESS STEEL (SUS304)	
132	O-RING (K)	1	NBR	
131	O-RING (J)	1	NBR	
130	BOLT (F)	2	STAINLESS STEEL (SUS304)	
129	BOLTO · NUT (F)	4Sets	STAINLESS STEEL (SUS304)	
128	BOLTO · NUT (E)	4Sets	STAINLESS STEEL (SUS304)	
127	JOINT	1	COPPER ALLOY (C3604)	
126	INDICATOR SEAL	1	ACRYL	
125	STEM (D)	1	COPPER ALLOY (C3604)	
124	STAND (A)	1	STAINLESS STEEL (SUS304)	
123	SPACER (A)	1	PVC	
96	ACTUATOR	1	ALUMINIUM etc.	Acryl Coat
95	BONNET	1	CAST ALUMINIUM ALLOY (AC4A)	Epoxy Coat
27	O-RING (C)	2	□EPDM □Others ()	
24	ENSAT FOR BODY	2	STAINLESS STEEL (SUS303)	
18	BOLT · NUT (A)	4Sets	STAINLESS STEEL (SUS304)	
7	JOINT	1	STAINLESS STEEL (SUS304)	
6	COMPRESSOR	1	PVDF	
5	CUSHION COVER	1	□Noting □PVDF	Used for PTFE Diaphragm
4	CUSHION	1	EPDM	
3a	INSERTED METAL OF DIAPHRAGM	1	STAINLESS STEEL (SUS304)	
3	DIAPHRAGM	1	□EPDM □PTFE □Others ()	
26	UNION NUT	2	□PVC □C-PVC □PP □PVDF	
25	END CONNECTOR	2		
1	BODY	1		

ITEM	T.U.DIAPHRAGM VALVE (TYPE14) ELECTRIC MODEL TYPE M ASS'Y ANSI : □SOCKET END, □THREADED END 15mm (1/2") ~ 50mm (2") with E-P POSITIONER		
DRAWN	E.Emmei	DATE	SCALE
CHECKED	H.Kawano	MAY.1.2023	
APPROVED	K.Koushou	DRAWING No. T1-AE004AE	
SPECIAL ORDER No.	ASAHI YUKIZAI CORPORATION		