

DIMENSIONS TABLE

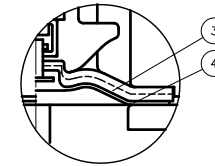
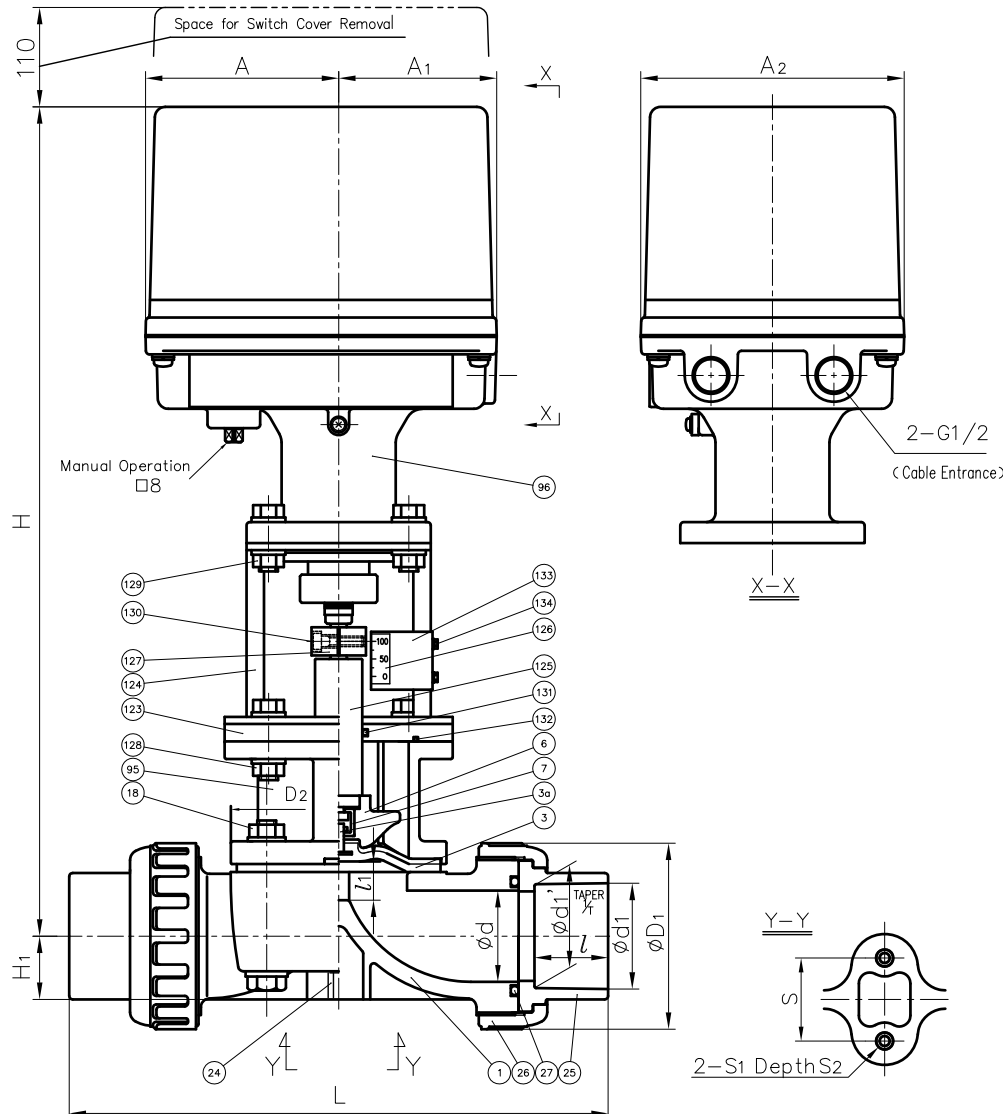
UNIT: mm

NOMINAL SIZE	d	SOCKET END								THREADED END														ACTUATOR MODEL		
		PVC, C-PVC				PP				d2	l	L	D1	D2	l1 (LIFT)	H	H1	A	A1	A2	S	S1	S2			
		d1	l	l'	L	d1	d1'	l	L																PVC C-PVC	PP PVDF
15mm	1/2"	16	22.11	20	1/4	134	21.2	20.2	20	134	Rc 1/2	15	128	128	48	54 x 66	10	406	19.5	101	81	140	25	M5	10	PSN-1
20	3/4"	20	26.13	24	1/4	156	26.2	25.2	23	154	Rc 3/4	17	148	148	60	54 x 66	10	408	17.5	101	81	140	25	M5	10	PSN-1
25	1	25	32.16	27	1/4	186	33.0	32.0	25	182	Rc 1	20	172	172	70	67 x 80	12	413	18.5	101	81	140	25	M5	10	PSN-1
32	1 1/4	32	38.19	30	1/4	200	-	-	-	-	Rc 1 1/4	22	188	188	82	67 x 80	12	416	22.5	101	81	140	25	M5	10	PSN-1
40	1 1/2	40	48.21	37	1/4	271	47.0	46.0	28	253	Rc 1 1/2	25	245	245	100	110 x 110	21	464	27.5	110	90	150	45	M6	14	PSN-3
50	2	52	60.25	42	1/4	303	59.0	58.0	28	275	Rc 2	28	281	278	106	128 x 128	25	473	36	110	90	150	45	M6	14	PSN-3

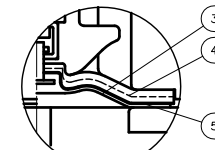
NOTE.

- Diaphragms except EPDM and PTFE are available in FKM, VIFLON-C (FKM-C), VIFLON-F (FKM-F), CSM and NBR when required.
- The shape and appearance of assembly differ a little with nominal size compared to this drawing.

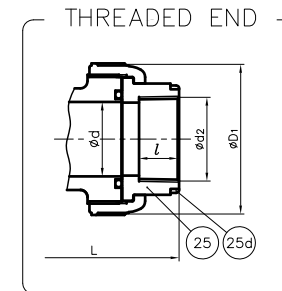
SOCKET END



In case material of diaphragm is PTFE



In case material of diaphragm is PTFE with cushion cover



No.	DESCRIPTION	QTY.	MATERIAL	REMARKS
25d	RING	2	STAINLESS STEEL (SUS304)	Used for C-PVC Body, Threaded End : 15-25mm
134	SCREW (F)	2	STAINLESS STEEL (SUS304)	
133	INDICATOR PLATE	1	STAINLESS STEEL (SUS304)	
132	O-RING (K)	1	NBR	
131	O-RING (J)	1	NBR	
130	BOLT (F)	2	STAINLESS STEEL (SUS304)	
129	BOLTO · NUT (F)	4Sets	STAINLESS STEEL (SUS304)	
128	BOLTO · NUT (E)	4Sets	STAINLESS STEEL (SUS304)	
127	JOINT	1	COPPER ALLOY (C3604)	
126	INDICATOR SEAL	1	ACRYL	
125	STEM (D)	1	COPPER ALLOY (C3604)	
124	STAND (A)	1	STAINLESS STEEL (SUS304)	
123	SPACER (A)	1	PVC	
96	ACTUATOR	1	ALUMINIUM etc.	Acryl Coat
95	BONNET	1	CAST ALUMINIUM ALLOY (AC4A)	Epoxy Coat
27	O-RING (C)	2	□EPDM □Others ( )	
24	ENSAT FOR BODY	2	STAINLESS STEEL (SUS303)	
18	BOLT · NUT (A)	4Sets	STAINLESS STEEL (SUS304)	
7	JOINT	1	STAINLESS STEEL (SUS304)	
6	COMPRESSOR	1	PVDF	
5	CUSHION COVER	1	□Noting □PVDF	Used for PTFE Diaphragm
4	CUSHION	1	EPDM	
3a	INSERTED METAL OF DIAPHRAGM	1	STAINLESS STEEL (SUS304)	
3	DIAPHRAGM	1	□EPDM □PTFE □Others ( )	
26	UNION NUT	2	□PVC □C-PVC □PP □PVDF	
25	END CONNECTOR			
1	BODY	1	□PVDF	

ITEM	T.U. DIAPHRAGM VALVE (TYPE14) ELECTRIC MODEL TYPE M ASS'Y JIS : □SOCKET END, □THREADED END 15mm (1/2") ~ 50mm (2") with E-P POSITIONER		
DRAWN	E.Emmei	DATE	SCALE
CHECKED	H.Kawano	MAY.1.2023	~
APPROVED	K.Koushou	DRAWING No. T1-AE004JE	
SPECIAL ORDER No.	ASAHI YUKIZAI CORPORATION		