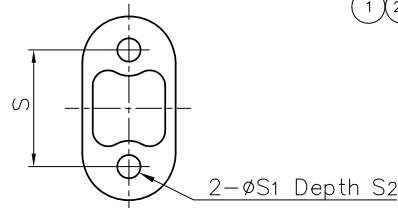
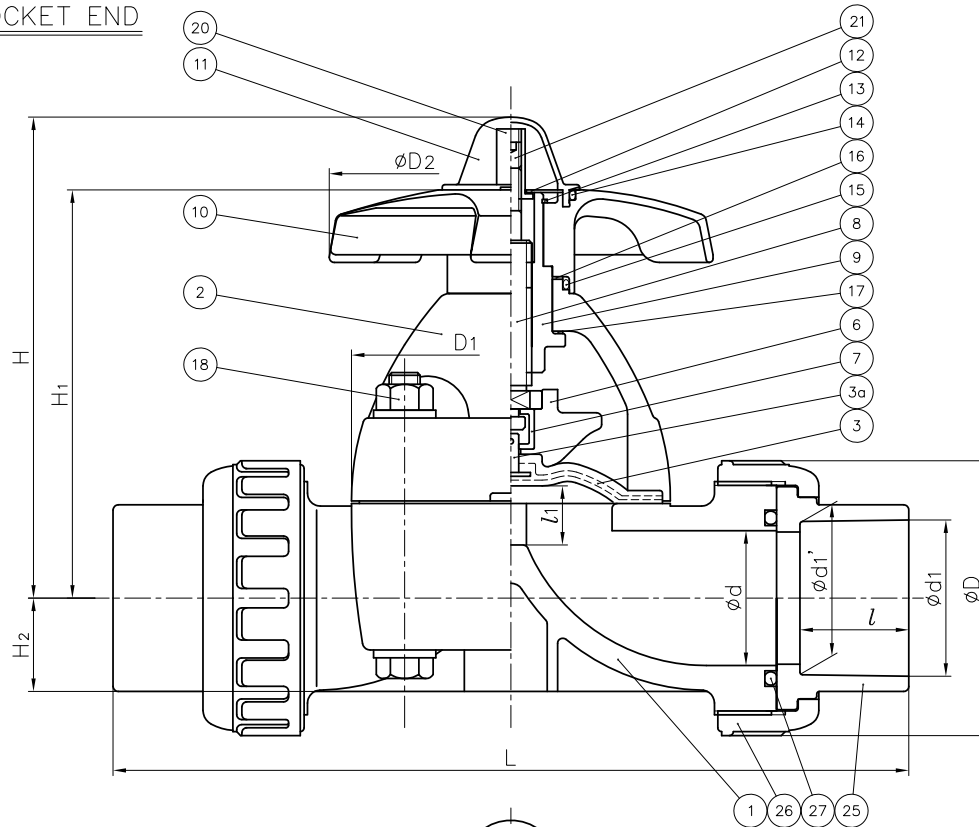


DIMENSIONS TABLE

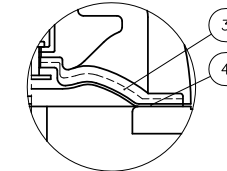
UNIT : mm

NOMINAL SIZE	d	SOCKET END							THREADED END														
		PVC,C-PVC				PP,PVDF (IPS)			d2	l	L		D	D1	D2	L1 (LIFT)	H	H1	H2	S	S1	S2	
		ASTM SCH80			L	d1	l	L			PVC C-PVC	PP PVDF											
		d1	d1'	l																			
15mm	1/2"	16	21.54	21.23	22.23	139	21.08	22.2	138	1/2 - 14 NPT	15	128	128	48	54x66	100	10	104	86	19.5	25	7	13
20	3/4"	20	26.87	26.57	25.4	157	26.16	25.4	155	3/4 - 14 NPT	17	148	148	60	54x66	100	10	106	88	17.5	25	7	13
25	1	25	33.66	33.27	28.58	186	33.02	28.6	184	1 - 11 1/2 NPT	20	172	172	70	67x80	100	12	111	93	18.5	25	7	13
32	1 1/4	32	42.42	42.04	31.75	202	41.91	31.75	198	1 1/4 - 11 1/2 NPT	22	188	188	82	67x80	100	12	116	97	22.5	25	7	13
40	1 1/2	40	48.56	48.11	34.93	266	48.01	34.90	261	1 1/2 - 11 1/2 NPT	25	245	245	100	108x108	156	21	177	144	27.5	45	9	15
50	2	52	60.63	60.17	38.1	293	59.94	38.1	293	2 - 11 1/2 NPT	28	281	278	106	123x123	156	25	191	158	36	45	9	15

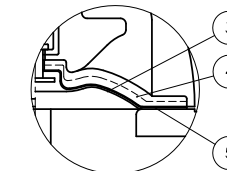
SOCKET END



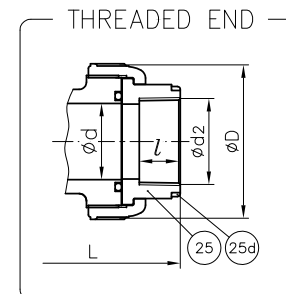
(Detail of Holes for Metallic Insert.)



In case material of diaphragm is PTFE.



In case material of diaphragm is PTFE with cushion cover.



- NOTE. 1. The shape and appearance of assembly differ a little with nominal size compared to this drawing.  
 2. Diaphragms except EPDM and PTFE are available in FKM, VIFLON-C (FKM-C), VIFLON-F (FKM-F), CSM and NBR when required.

27	O-RING (C)	2	<input type="checkbox"/> EPDM <input type="checkbox"/> Others ( )	
25d	RING	2	STAINLESS STEEL (SUS304)	Used for C-PVC Body, Threaded End : 15~25mm
21	SCREW	1	Cr.Mo.STELL (SCM435)	
20	STOPPER (A)	1	COPPER ALLOY (C3604)	
18	BOLT · NUT (A)	4Sets	STAINLESS STEEL (SUS304)	
17	THRUST RING (B)	1	UHMWPE	
16	THRUST RING (A)	1	UHMWPE	
15	O-RING (B)	1	EPDM	
14	O-RING (A)	1	EPDM	
13	RETAINING RING-C TYPE	1	STAINLESS STEEL (SUS304)	
12	NAME PLATE	1	PVC	
11	GAUGE COVER	1	PC	
10	HAND WHEEL	1	PP	
9	SLEEVE	1	COPPER ALLOY (C3604)	
8	STEM	1	COPPER ALLOY (C3604)	
7	JOINT	1	STAINLESS STEEL (SUS304)	
6	COMPRESSOR	1	PVDF	
5	CUSHION COVER	1	<input type="checkbox"/> Nothing <input type="checkbox"/> PVDF	Used for PTFE Diaphragm
4	CUSHION	1	EPDM	
3a	INSERTED METAL OF DIAPHRAGM	1	STAINLESS STEEL (SUS304)	
3	DIAPHRAGM	1	<input type="checkbox"/> EPDM <input type="checkbox"/> PTFE <input type="checkbox"/> Others ( )	
26	UNION NUT	2	BODY · UNION NUT / BONNET END CONNECTOR <input type="checkbox"/> PVC/PVC <input type="checkbox"/> C-PVC/PP <input type="checkbox"/> PP/PP	
25	END CONNECTOR			
2	BONNET	1	<input type="checkbox"/> PVDF/PPG <input type="checkbox"/> PVDF/PVDF	
1	BODY			
No.	DESCRIPTION	QTY.	MATERIAL	REMARKS

ITEM	TRUE UNION DIAPHRAGM VALVE (TYPE 14) ASS'Y ANSI : <input type="checkbox"/> SOCKET END, <input type="checkbox"/> THREADED END 15mm (1/2") ~ 50mm (2")			
DRAWN	E.Emmei	DATE	SCALE	
CHECKED	H.Kawano	FEB.12.2019		
APPROVED	K.Koushou	DRAWING No.		
		T1-M1001AEm		
SPECIAL ORDER No.	ASAHI YUKIZAI CORPORATION			